

Radar Sensoren  
 Radar sensors  
 Détecteurs à radar

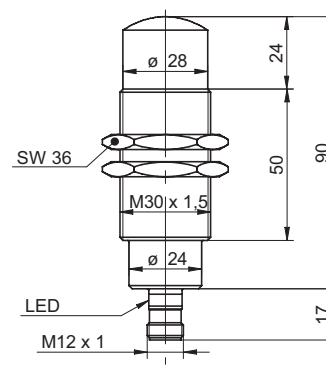
# RR30.DA00-11221321

Radar Distanz messende Sensoren

Radar distance measuring sensors

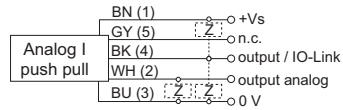
Détecteurs de mesure de distances

## Abmessungen Dimensions Dimensions

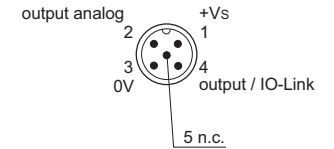


- Alle Masse in mm
- All dimensions in mm
- Toutes les dimensions en mm

## Elektrischer Anschluss Connection diagram Schéma de raccordement



BN = Braun/brown/brun  
 BK = Schwarz/black/noir  
 WH = Weiss/white/blanc  
 BU = Blau/blue/bleu  
 GY = Grau/gray/gris



Class 2, UL 1310, siehe / see / voir au FAQ

- Vor dem Anschliessen des Sensors die Anlage spannungsfrei schalten.
- Disconnect power before connecting the sensor.
- Mettre l'installation hors tension avant le raccordement du détecteur.

## Technische Daten

Erfassungsbereich Sd	0,5 ... 60 m
Temperaturdrift	< ± 10 mm
Betriebsspannungsbereich +Vs <sup>2)</sup>	12 ... 30 VDC
Stromaufnahme max. (ohne Last)	220 mA
Ausgangsstrom	< 100mA
Ausgangsschaltung	Stromausgang / Gegentakt
Kurzschlussfest	ja
Verpolungsfest	ja, Vs zu GND
Arbeitstemperatur	-40 ... +65 °C
Lagertemperatur	-40 ... +85 °C
Schutzart	IP 68/69K & proTect+

## Technical data

sensing distance Sd	0,5 ... 60 m
temperature drift	< ± 10 mm
voltage supply range +Vs <sup>2)</sup>	12 ... 30 VDC
current consumption max. (no load)	220 mA
output current	< 100mA
output circuit	current output / push-pull
short circuit protection	yes
reverse polarity protection	yes, Vs to GND
operating temperature	-40 ... +65 °C
storage temperature	-40 ... +85 °C
protection class	IP 68/69K & proTect+

## Données techniques

Portée de détection Sd	0,5 ... 60 m
Dérive en température	< ± 10 mm
Plage de tension +Vs <sup>2)</sup>	12 ... 30 VDC
Consommation max. (sans charge)	220 mA
Courant de sortie	< 100mA
Circuit de sortie	Sortie de courant / push-pull
Protégé contre courts-circuits	oui
Protégé contre inversion polarité	oui, Vs vers GND
Température de fonctionnement	-40 ... +65 °C
Température de stockage	-40 ... +85 °C
Classe de protection	IP 68/69K & proTect+

<sup>2)</sup> mit / with / avec IO-Link 18 ... 28VDC

## FCC Compliance Statement

This device complies with Part 15 of the FCC Rules. Operation is subject to the following two conditions: (1) this device may not cause harmful interference, and (2) this device must accept any interference received, including interference that may cause undesired operation.

NOTICE: Changes or modifications made to this equipment not expressly approved by Baumer may void the FCC authorization to operate this equipment.

NOTE: This equipment has been tested and found to comply with the limits for a Class A digital device, pursuant to Part 15 of the FCC Rules. These limits are designed to provide reasonable protection against harmful interference when the equipment is operated in a commercial environment. This equipment generates, uses, and can radiate radio frequency energy and, if not installed and used in accordance with the instruction manual, may cause harmful interference to radio communications. Operation of this equipment in a residential area is likely to cause harmful interference in which case the user will be required to correct the interference at his own expense.

Radiofrequency radiation exposure Information: This equipment complies with FCC exposure limits set forth for an uncontrolled environment. This equipment should be installed and operated with minimum distance of 20 cm between the radiator and your body. This transmitter must not be co-located or operating in conjunction with any other antenna or transmitter.

## Canada Compliance Statement

This device complies with Industry Canada licence-exempt RSS standard(s). Operation is subject to the following two conditions: (1) this device may not cause harmful interference, and (2) this device must accept any interference received, including interference that may cause undesired operation. This equipment complies with IC radiation exposure limits set forth for an uncontrolled environment. This equipment should be installed and operated with minimum distance of 20 cm between the radiator and your body. This transmitter must not be co-located or operating in conjunction with any other antenna or transmitter.

Le présent appareil est conforme aux CNR d'Industrie Canada applicables aux appareils radio exempts de licence. L'exploitation est autorisée aux deux conditions suivantes: (1) l'appareil ne doit pas produire de brouillage, et (2) l'appareil doit accepter tout brouillage radioélectrique subi, même si le brouillage est susceptible d'en compromettre le fonctionnement. Cet équipement est conforme aux limites d'exposition aux rayonnements IC établies pour un environnement non contrôlé. Cet équipement doit être installé et utilisé avec un minimum de 20 cm de distance entre la source de rayonnement et votre corps. Ce transmetteur ne doit pas être placé au même endroit ou utilisé simultanément avec un autre transmetteur ou antenne.