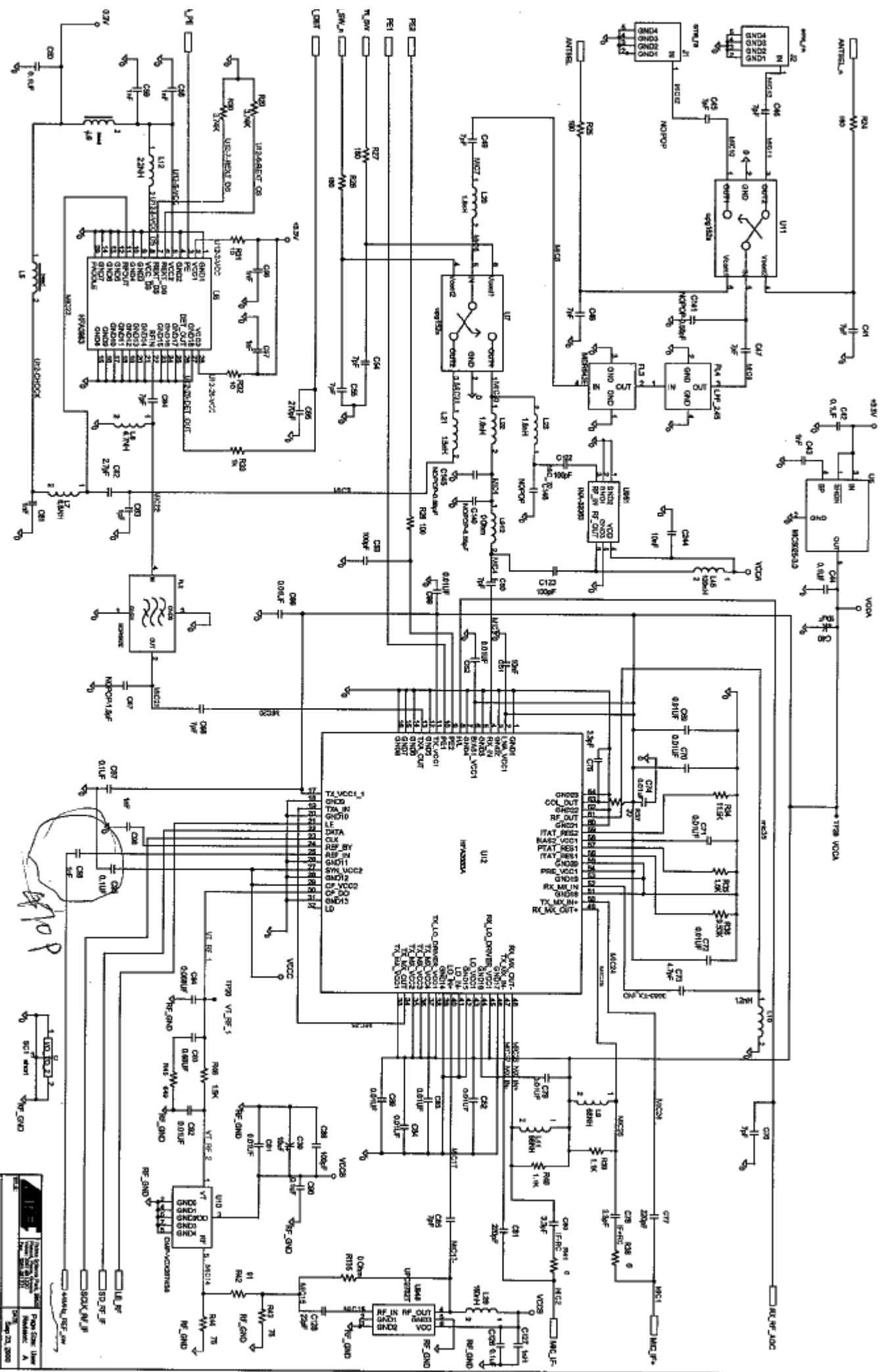


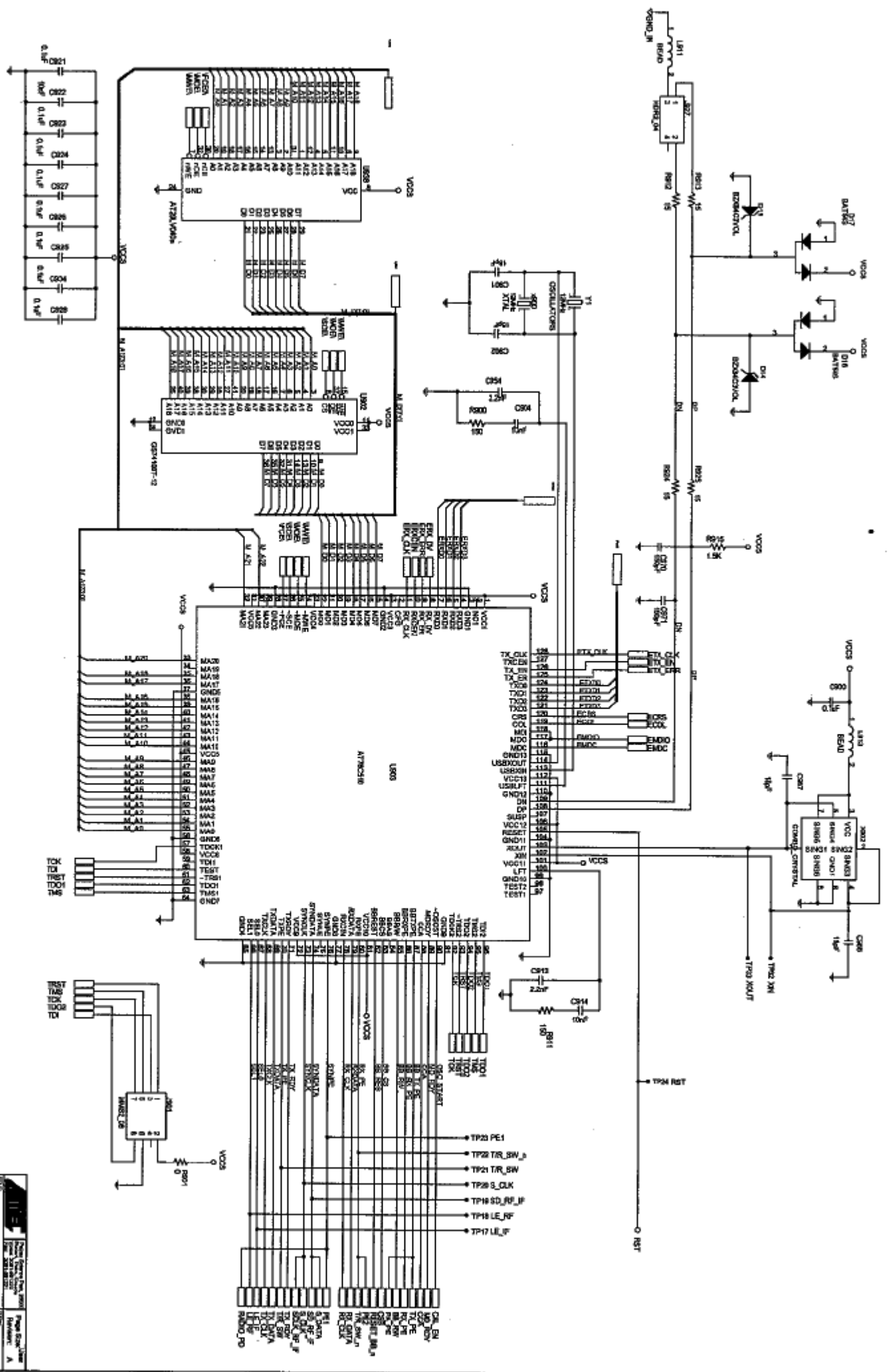
$2\pi \times 44 \text{ MHz} \times 68 \text{ nH} = 18 \Omega$   
 $1 / (2\pi \times 44 \text{ MHz} \times 180 \text{ pF}) = 20 \Omega$



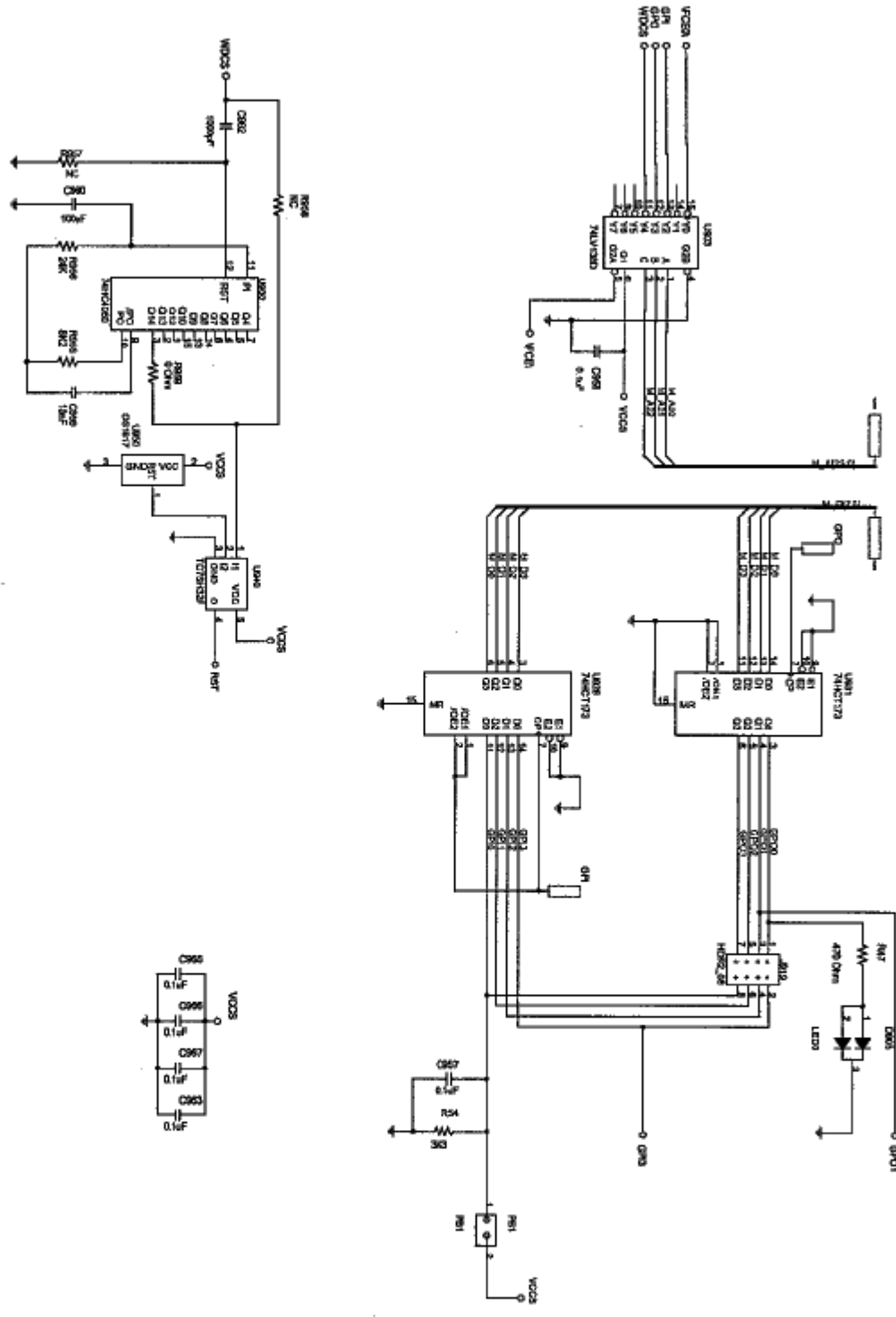
*Handwritten note:* 100p

	Part Number: 100p Rev: 1.0 Date: 10/20/2005 Author: A Drawn: A
COMPANY PROPRIETARY	Page 2 of 7

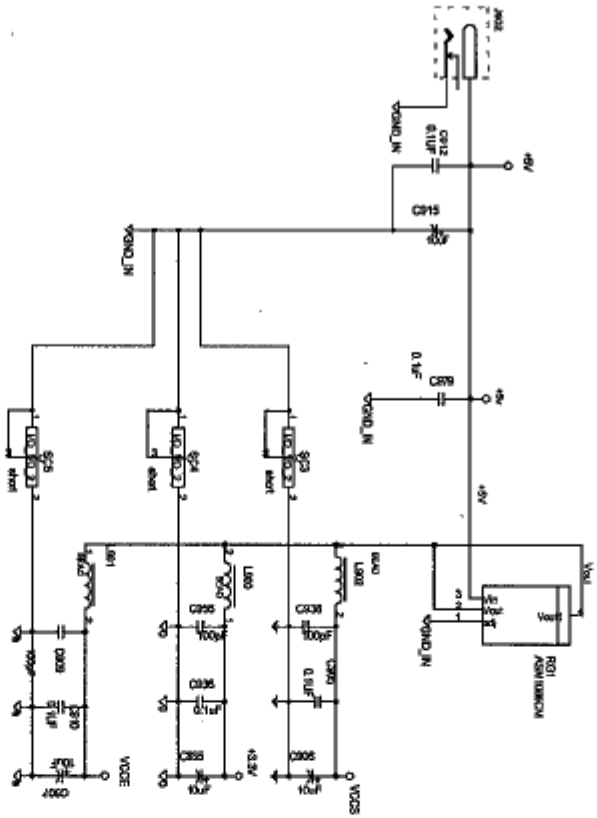









**Intel**  
 300 North Zeeb Road  
 Hillsdale, NJ 07403  
 (201) 739-2200



DIGITAL POWER

ANALOG POWER

EMERGENCY POWER

