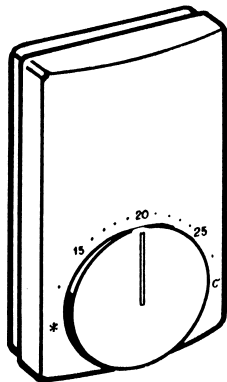


## Room Thermostat User Guide






*Danfoss*  
Typ CFR

### Temperature setting

Set room temperature on the thermostat dial.

On the right-hand side of the thermostat is a **function switch** with 3 possible settings:

-  The room temperature will be as set on the thermostat.
-  Used only if the zone regulator is engaged. The temperature will be as set on the room thermostat, but in accordance with the consumption pattern entered. The consumption pattern in the zone regulator can be overridden by moving the switch to ☾ or ☀.
-  The room temperature will be as set on the thermostat - minus 5°C.

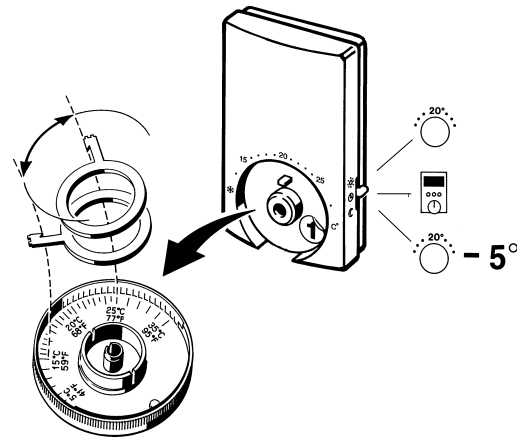
FCC ID: XXXTYPE.CFR

This device complies with Part 15 of the FCC Rules. Operation is subject to the following two conditions:

- (1) This device may not cause harmful interference, and
- (2) This device must accept any interference received, including interference that may cause undesired operation.

### Limitation of the setting range

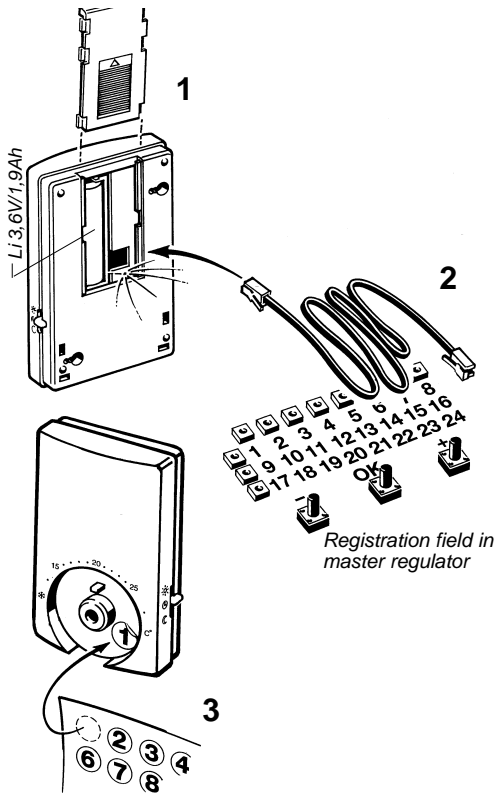
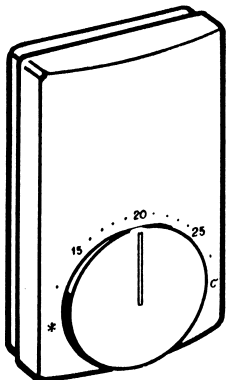
Behind the button for temperature setting are two lock-rings. These can be moved as shown if the thermostat setting range is to be narrowed.



**Warning:** Changes or modifications to this unit not expressly approved by the party responsible for compliance could void the user's authority to operate the equipment.

“This device complies with RSS-210 of Industry Canada. Operation is subject to the following two conditions: (1) this device may not cause interference, and (2) this device must accept any interference, including interference that may cause undesired operation of the device.”

## Room Thermostat Instructions for Installation



### Registration of room thermostat with output(s)

- Connect the room thermostat (fig. 1) and the CFM master regulator via the black installation cable. The first vacant output in the registration field will flash. Other vacant outputs will be lit. Outputs already registered are not on (fig. 2).
- If OK is pressed **briefly**, the room thermostat has been registered with the output and the LED goes off (fig. 2).
- If the room thermostat is to be registered with more than one output, go to these outputs by means of the +/- keys and confirm by pressing OK **briefly**.
- When the installation cable is removed, the red LED underneath the battery cover (fig. 1) will flash for at least one minute (Test mode).

### Unregistration of room thermostat

The room thermostat and the master regulator may **not** be connected.

- Press OK for 5 sec.; the first LED in the row for registered room thermostats will flash (fig. 2). Other LEDs for registered room thermostats will flash.
- Use the +/- keys to go to the room thermostat to be unregistered (it will flash).
- Confirm unregistration by pressing OK for 5 sec.. The LED goes off.

### Test of room thermostat

If a defect in a room thermostat is suspected, the following test may be carried out:

- Set the thermostat to the highest temperature (EC).
- Move the function switch on the side of the room thermostat to a new position.
- If the LED underneath the battery cover (fig. 1) flashes quickly for at least one minute, the room thermostat is in order.

