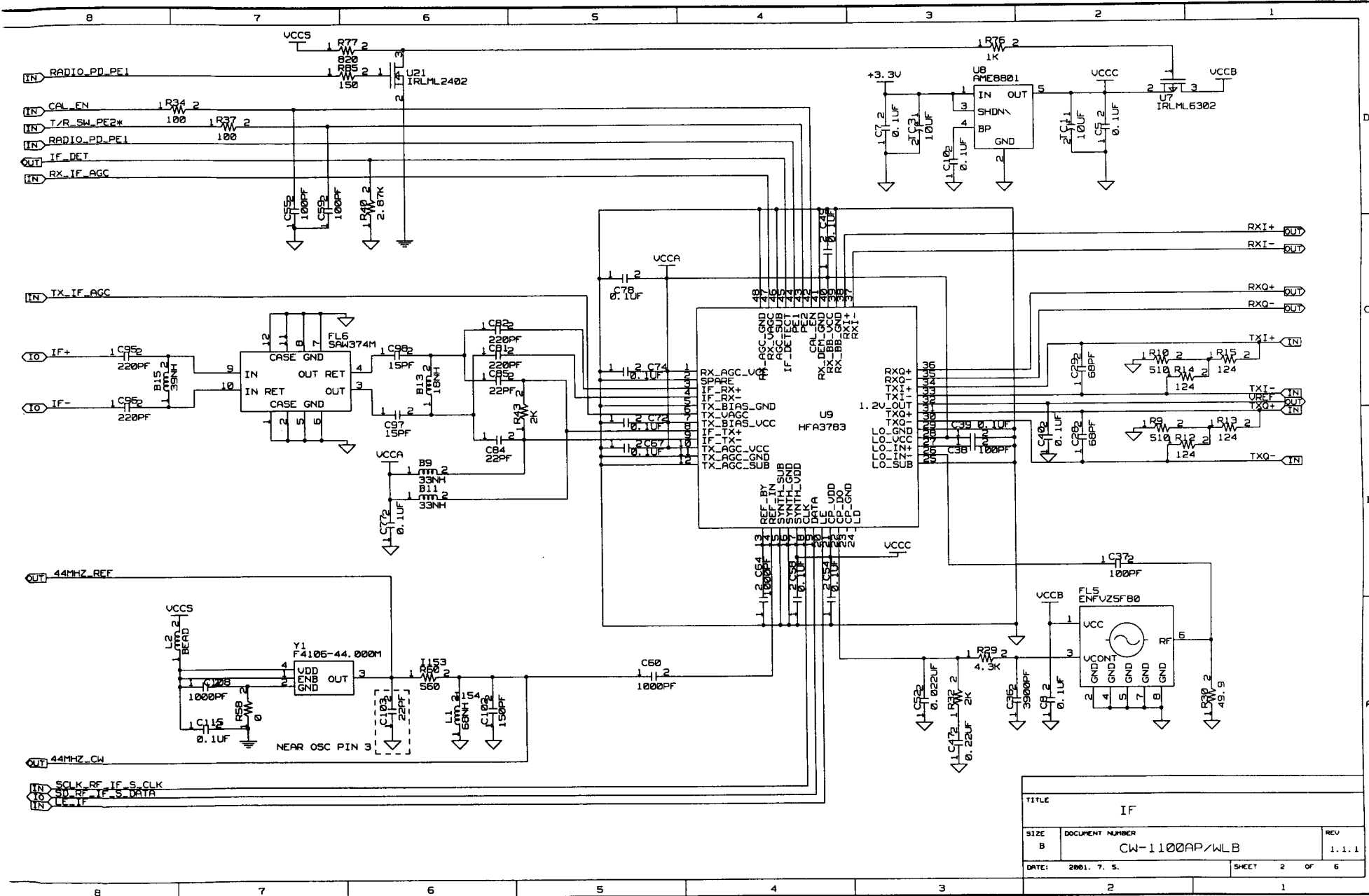
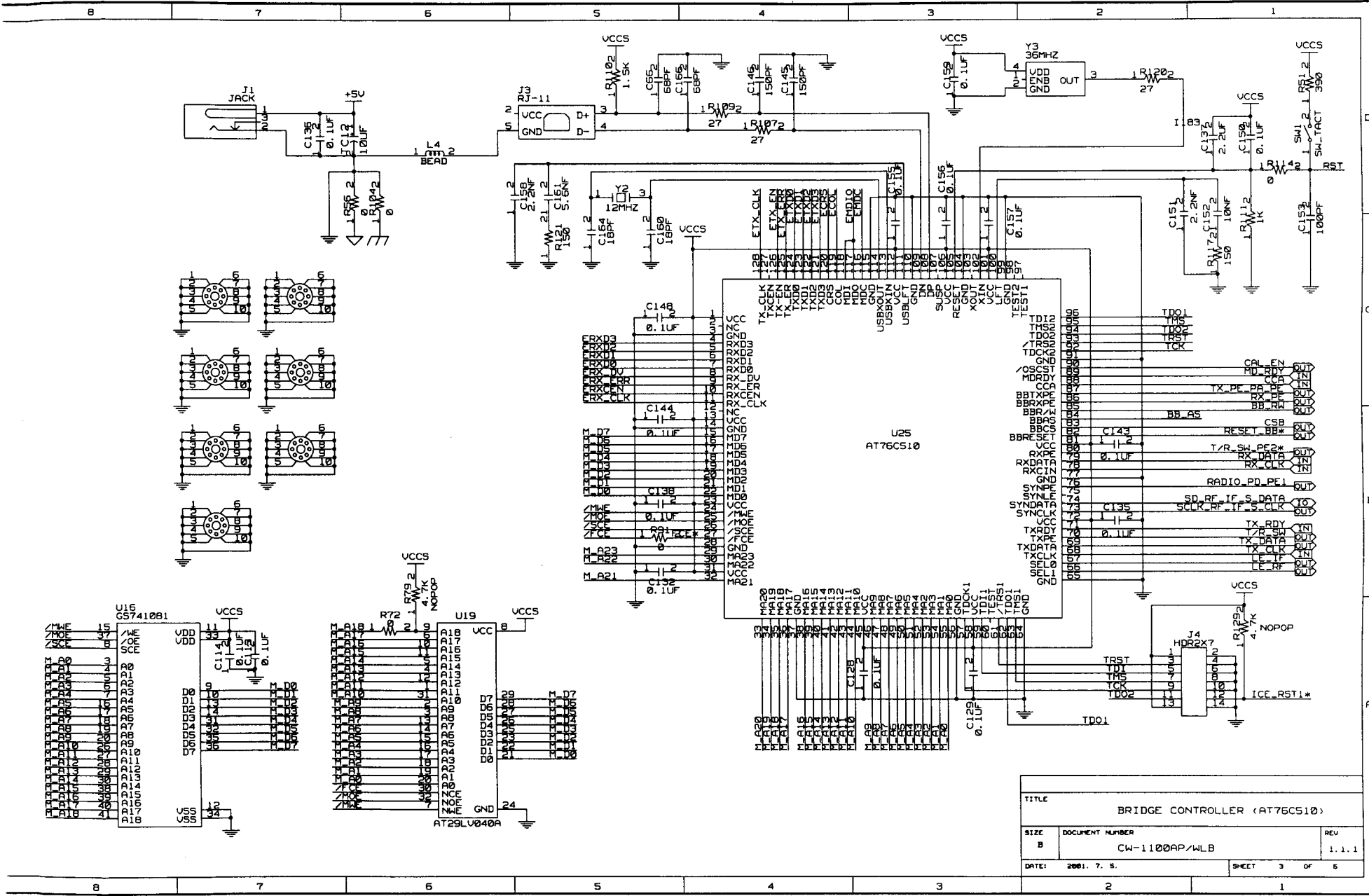


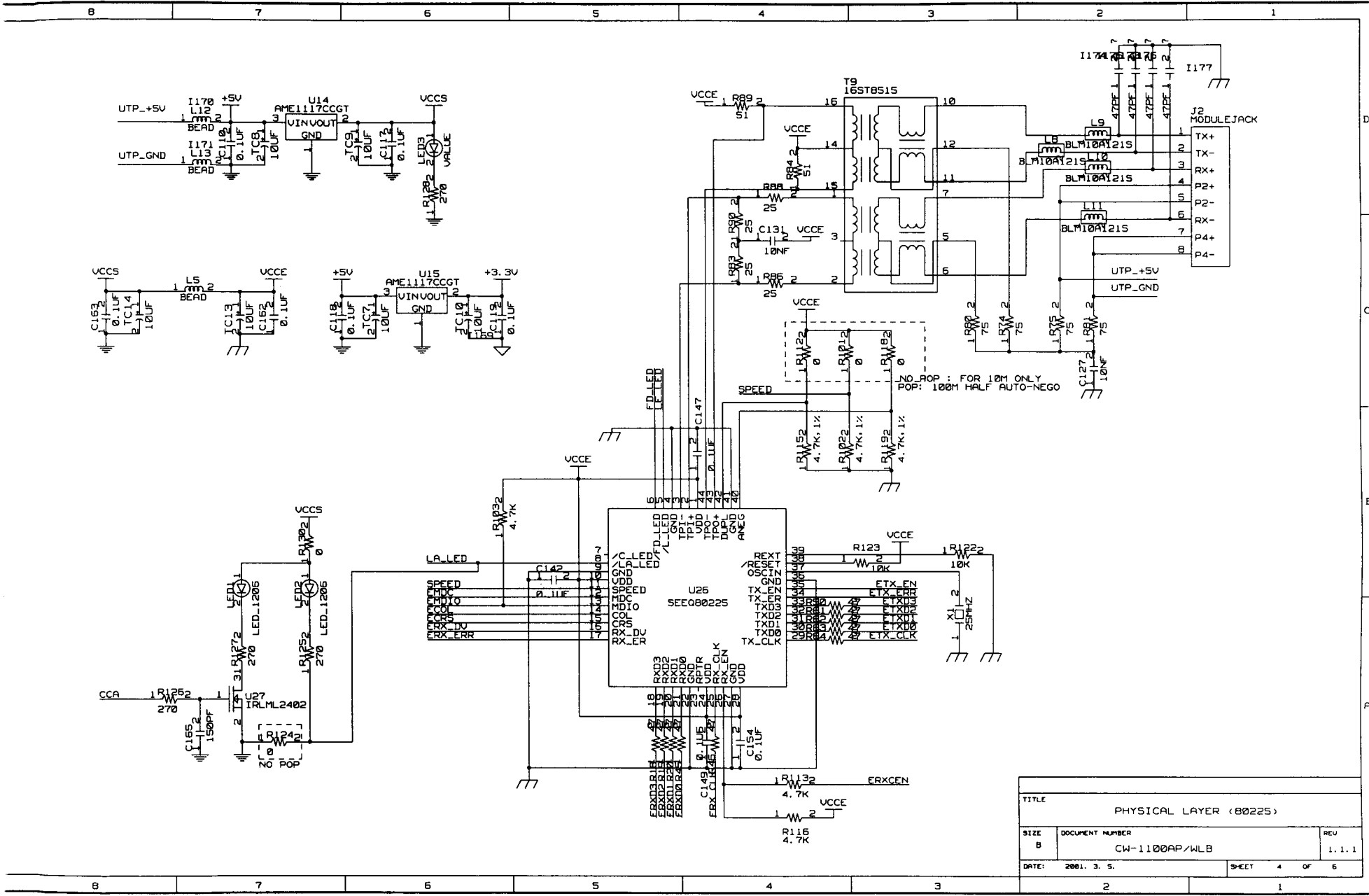
TITLE			RF
SIZE	DOCUMENT NUMBER	REV	
B	CW-1100AP/WLB	1.1.1	
DATE:	2001. 7. 5.	SHEET	1 OF 6



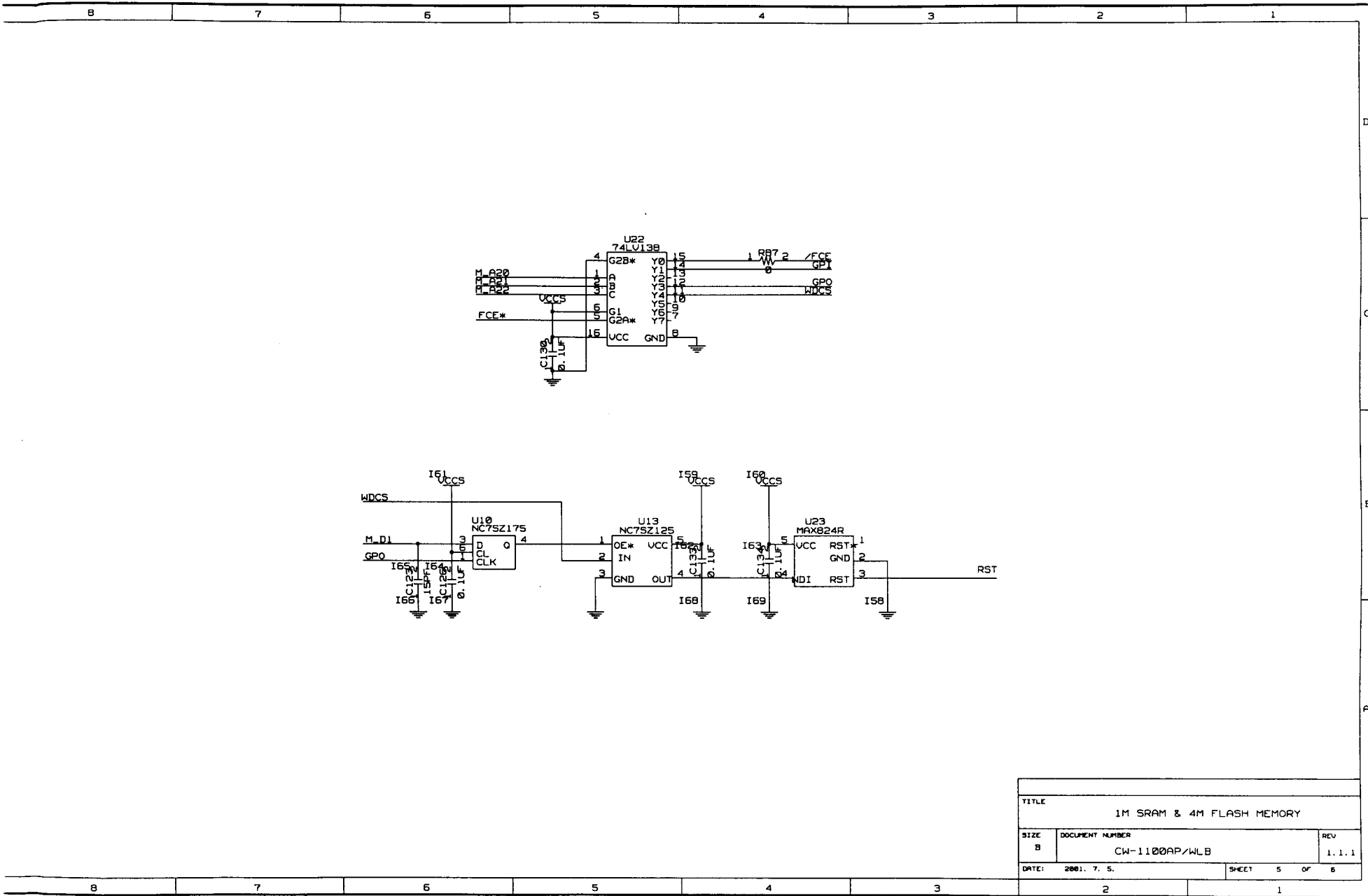
TITLE		
IF		
SIZE	DOCUMENT NUMBER	REV
B	CW-1100AP/WLB	1.1.1
DATE:	2001. 7. 5.	SHEET 2 OF 6



TITLE		
BRIDGE CONTROLLER (AT76CS10)		
SIZE	DOCUMENT NUMBER	REV
B	CW-1100AP/WLB	1.1.1
DATE:	2001. 7. 5.	SHEET 3 OF 5



TITLE		
PHYSICAL LAYER (80225)		
SIZE	DOCUMENT NUMBER	REV
B	CW-1100AP/WLB	1.1.1
DATE:	2001. 3. 5.	SHEET 4 OF 6



TITLE		
1M SRAM & 4M FLASH MEMORY		
SIZE	DOCUMENT NUMBER	REV
B	CW-1100AP/WLB	1.1.1
DATE:	2001. 7. 5.	SHEET 5 OF 6

