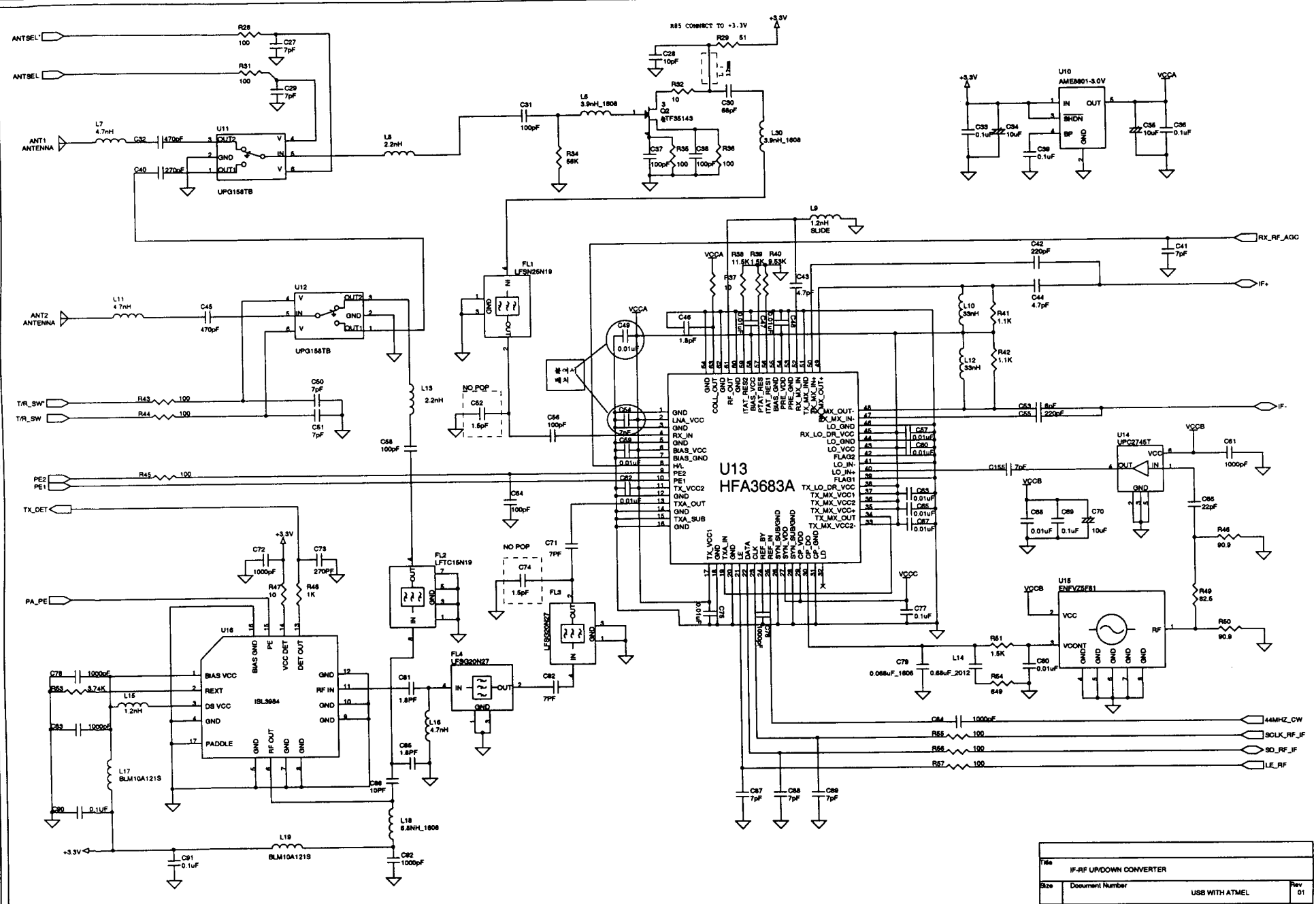
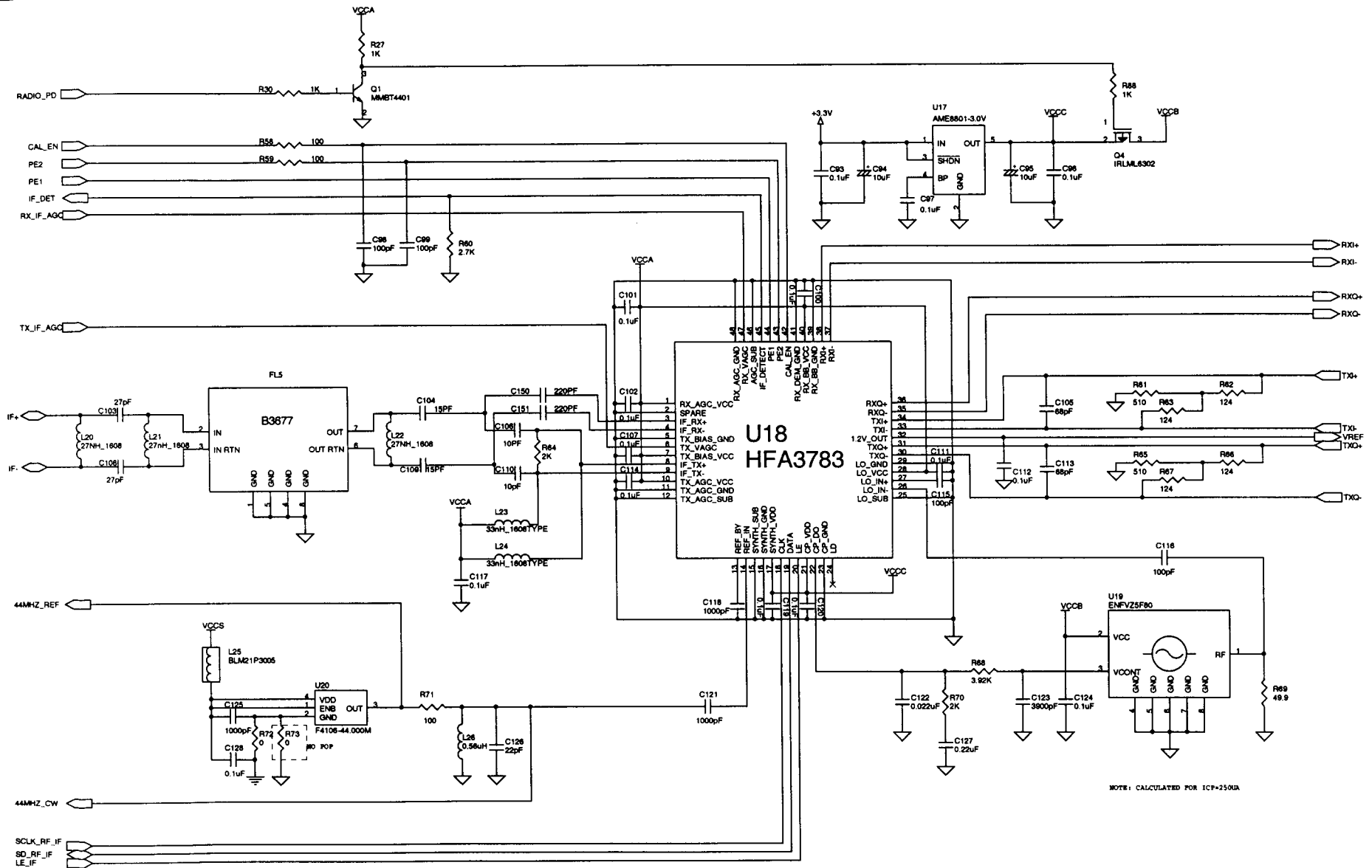


**U7
AT76C503A**

EXTFL	0	Internal Flash Configuration
	1	External ROM Configuration
CFG2	0	Fin = Xin or XTAL
	1	Fin = 3/4 Xin
CFG1	00	No serial Device, No USB oscillator
	01	No serial Device, USB osc. present
	10	Serial EEPROM present
	11	Serial FLASH present

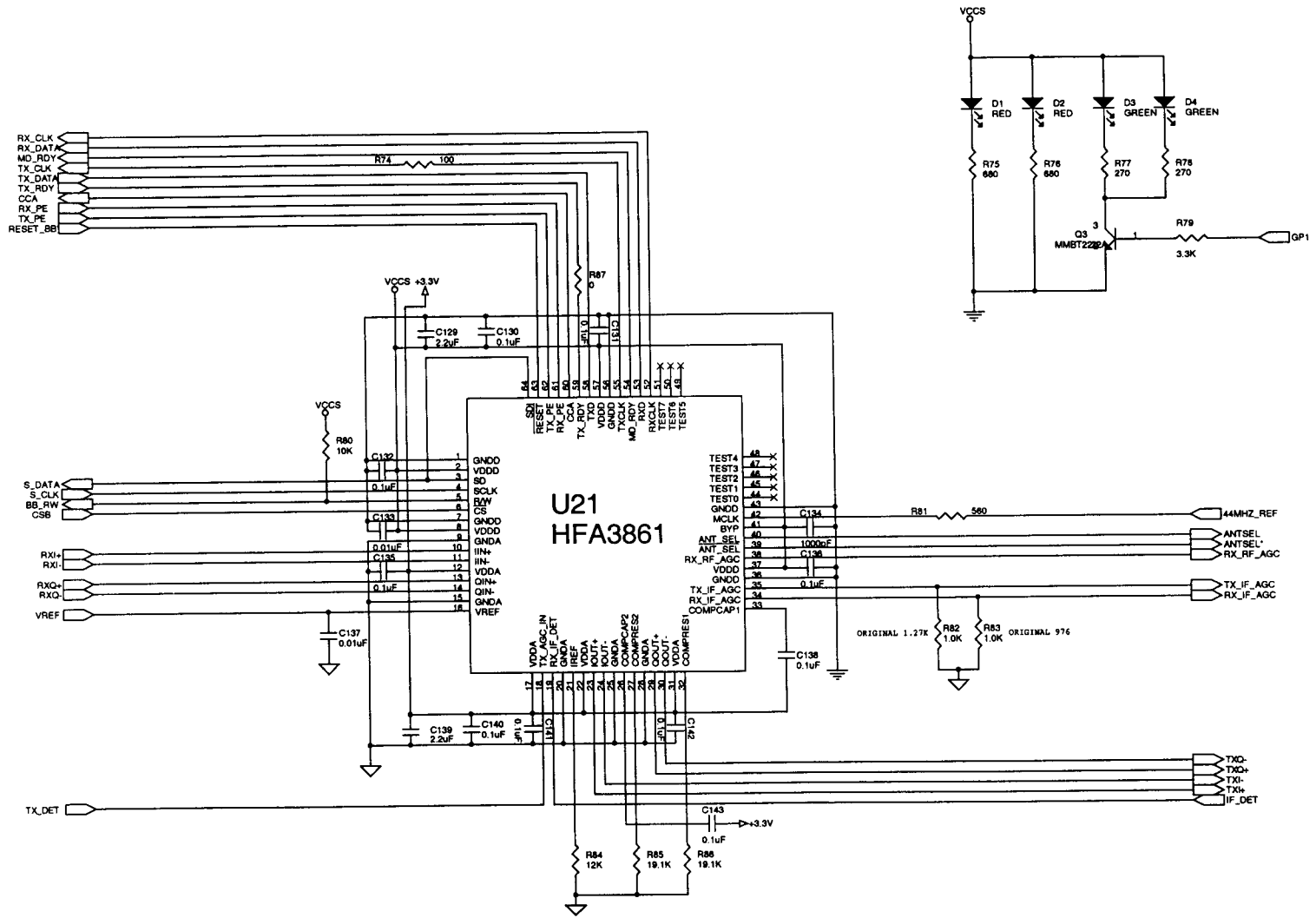


Title			IF-RF UPDOWN CONVERTER
Size	Document Number	USB WITH ATMEL	Rev 01
Date	Thursday, June 14, 2001	Sheet	2 of 4



NOTE: CALCULATED FOR ICP=250A

Title		
IF MODEM		
Size	Document Number	Rev
A3	USB WITH ATMEL	01
Date:	Thursday, June 14, 2001	Sheet 3 of 4



Title			
BASE BAND MODEM			
Size	Document Number	USB WITH ATMEL	Rev
A3			01
Date:	Thursday, June 14, 2001	Sheet	4 of 4