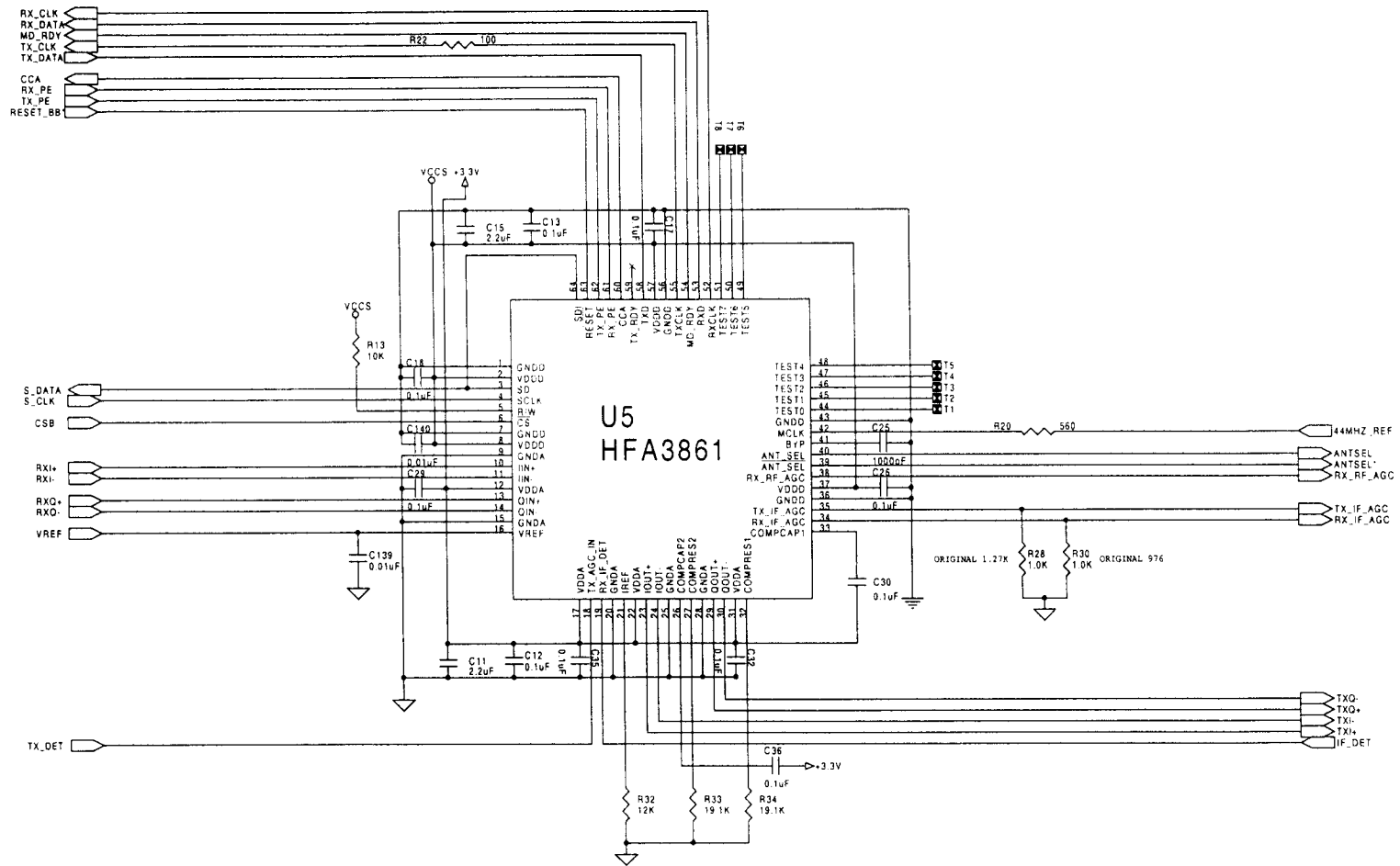
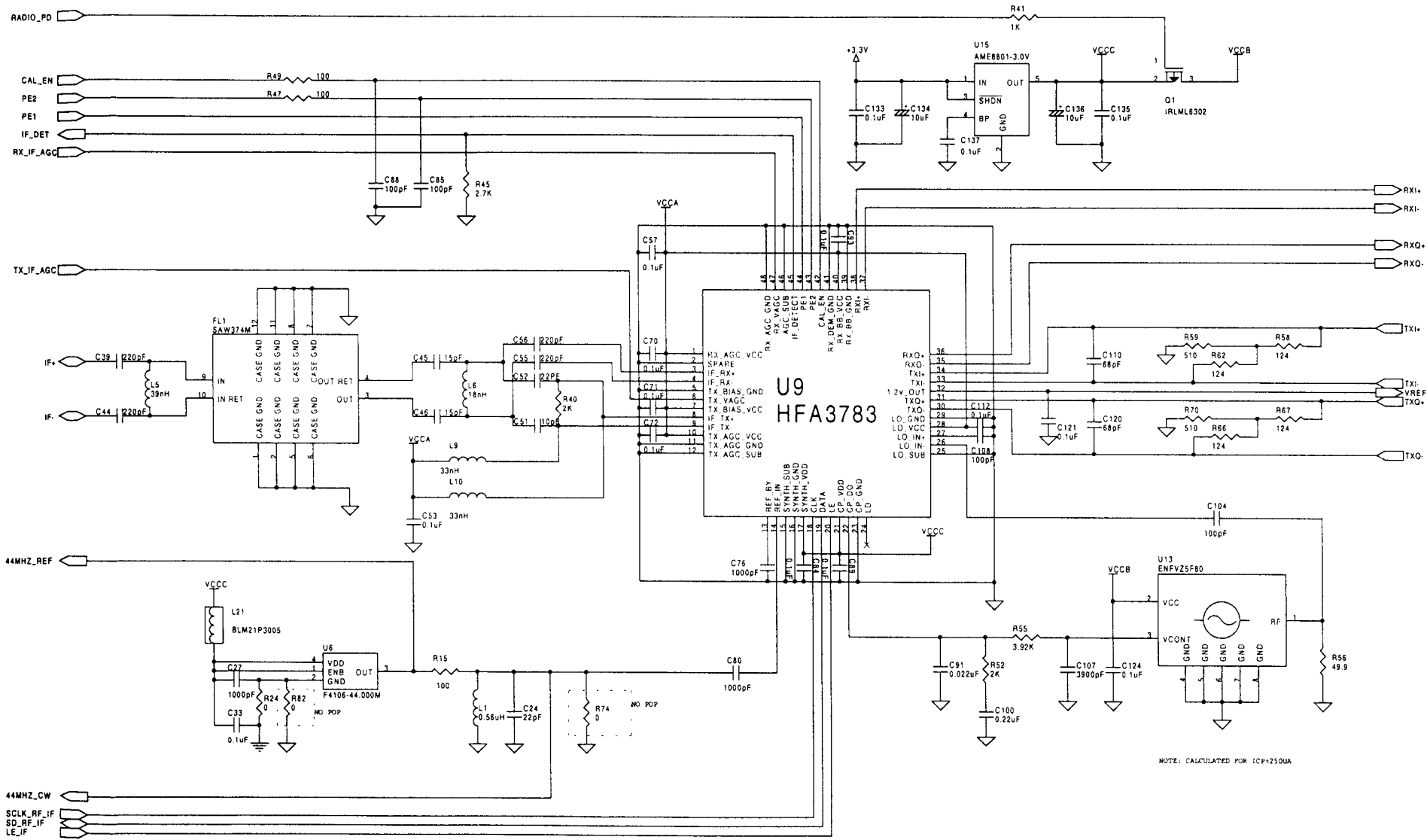


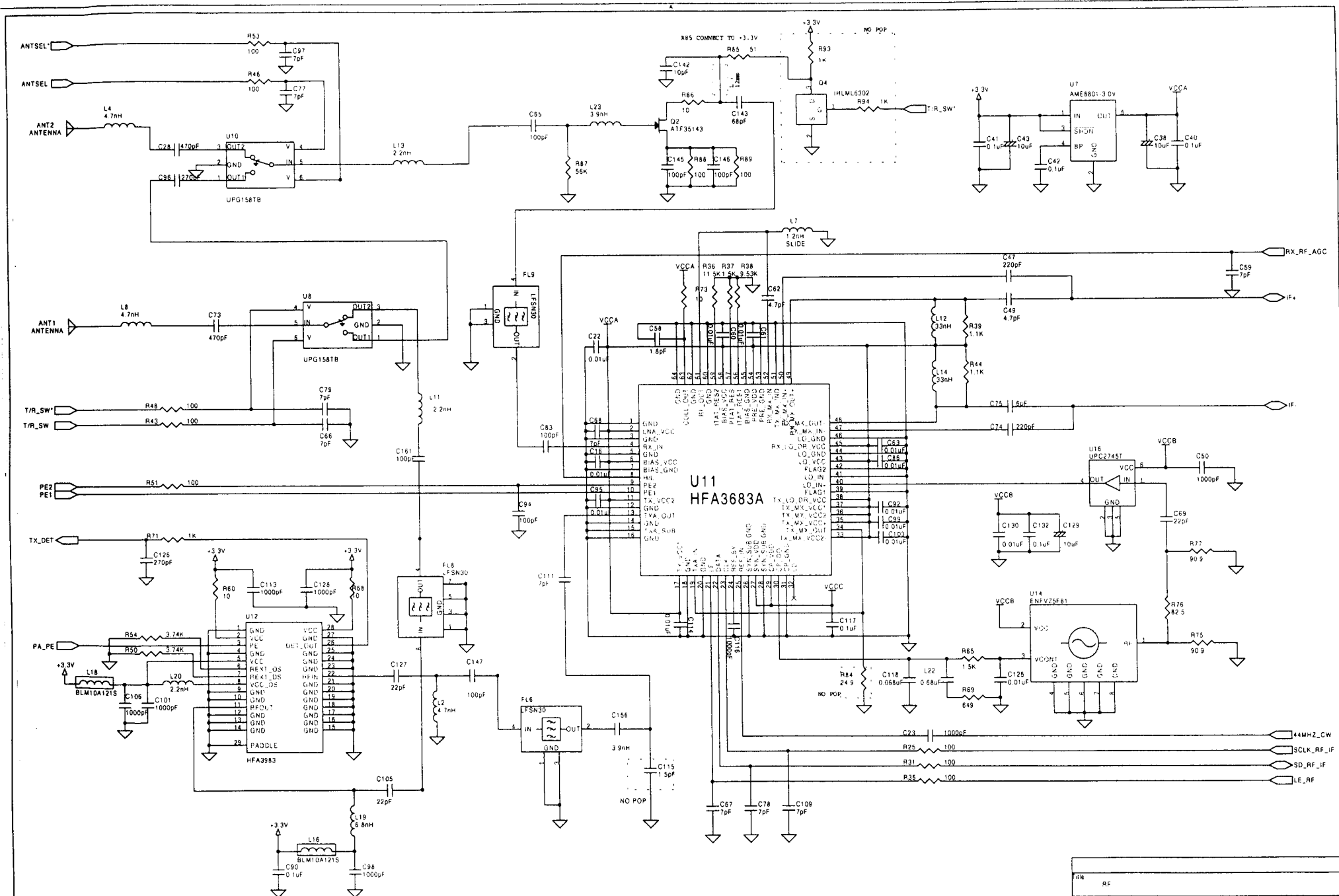
File	...	Rev	...
Size	...	Document Name	...
Part	...	Doc#	...
Rev	...	Version	...



Title			BASE BAND		
Size	Document Number	Rev			
A3	<Doc>	<Rev Code>			
Date	Monday, December 11, 2000	Sheet	2	of	4



Title	IF		
Size	A3	Document Number	<Doc>
Date	Monday, December 11, 2000	Sheet	3 of 4
Rev	<Rev Code>		



File	RF
Size	Document Number
Custom Doc	
Date	Monday, December 11, 2006
Sheet	4 of 4