



Underwriters Laboratories Inc.

[www.ul.com/emc](http://www.ul.com/emc)  
[www.ulk.co.kr](http://www.ulk.co.kr)

Project No.: 12CA08535  
File No.: MC16340  
Report No.: 12CA08535-1-FCC  
Date: August 17, 20112  
Model No.: FXRS-03A  
FCC ID.: PFRFXRS03A

## **RF Test Report**

**in accordance with  
FCC Part 15 Subpart C §15.247**

**for**

## **System Control Unit**

Vieworks Co., Ltd.

#601 ~ 610, Suntechcity 2, 307-2, Sangdaewon-dong Jungwon-Gu  
Seongnam-city Gyeonggi-do, 462-806, South korea

**Copyright © 2005 Underwriters Laboratories Inc.**

Underwriters Laboratories Inc. authorizes the above-named company to reproduce this Report provided it is reproduced in its entirety.

Only those products bearing the UL Mark should be considered as being covered by UL.

---

UL Korea, Ltd  
33<sup>rd</sup> FL, Gangnam Finance Center, 737  
Yeoksam-dong, Gangnam-gu, Seoul  
135-984 Korea  
Tel: +82.2.2009.9000, Fax:+82.2.2009.9405

**An organization dedicated  
to public safety and committed to  
quality service for over 100 years**

**Summary of Test Results:**

The following tests were performed on a sample submitted for evaluation of compliance with FCC Part 15 C Section 15.247				
No	Reference Clause No.	FCC Part15 Subpart C Conformance Requirements	Result Verdict	Remark
	FCC Rule			
1	15.247(a) (2)	6dB Bandwidth Measurement	N/A	*Note <sup>2</sup>
2	-	99% Bandwidth Measurement	N/A	*Note <sup>2</sup>
3	15.247 (e)	Power Spectral Density Measurement	N/A	*Note <sup>2</sup>
4	-	Average Power Measurement	N/A	*Note <sup>2</sup>
5	15.247(b)	Peak Power Measurement	N/A	*Note <sup>2</sup>
6	15.247(d)	Conducted Spurious Emission Measurement	N/A	*Note <sup>2</sup>
7	15.247(d)	Band Edges Measurement	Complied	-
8	15.247(d)	Radiated Emission Measurement	Complied	-
9	15.247	AC Conducted Emission Measurement	Complied	-

\*Note 1: N/T=Not Tested, N/A=Not Applicable

\*Note 2: Test was performed by modular transmitter (FCC ID : PPD-AR5BHB116)

Compliance with FCC rules is being demonstrated by performing radiated spurious emissions on the host system and providing the test reports for the rf module used in this system to cover the antenna port measurement requirements.

The modular reports allow for a maximum gain PIFA antenna to be 3.0dBi/3.6dBi in the 2.4GHz band and 4.8dBi in the 5GHz bands. This host device uses a dipole antenna with a maximum gain of 3.585 dBi in the 2.4GHz band and 2.83dBi in the 5GHz bands, therefore the limits used for the output power and power spectral density in the modular reports for 5GHz operations (DTS and NII) show compliance for the host using these antennas as they are of equal or lower gain. For 2.4GHz operations the composite gain for 2x2 beamforming modes is 6.6 dBi. the output power limit for a 6.6 dBi antenna is 29.4dBm. the maximum measured output power was 27.19dBm which complies with this limit of 28.3dBm. All bandwidth, power and power density measurements were made in accordance with the latest FCC KDB guidance documents for DTS and NII transmitters.

Radiated spurious emissions were tested for the host system so the different antenna type is covered by the system level tests.

**Conclusion:**

The tests listed in the Summary of Testing section of this report have been performed and the results recorded by UL Korea Ltd. in accordance with the procedures stated in each test requirement and specification. The test list was determined by the Applicant as being applicable to the Equipment Under Test. As a result, the subject product has been verified to comply or not comply as noted in the Summary of Testing with each test specification. The test results relate only to the items tested.



Witness tested by  
 Hong Suk Oh, WiSE Associate Project Engineer  
 UL Verification Services- 3014ASEO  
 UL Korea Ltd.  
 Aug. 17, 2013



Reviewed by  
 Jeawoon, Choi, WiSE Operations Manager  
 UL Verification Services- 3014ASEO  
 UL Korea Ltd.  
 Aug. 17, 2013

### **Test Report Details**

Test Report No: 12CA0853-1-FCC  
Witness Tests Performed By: UL Korea Ltd.  
33<sup>rd</sup> FL. GFC Center, 737 Yeoksam-dong, Gangnam-gu, Seoul, 135-984, Korea  
Test Site: KES Co., Ltd.  
477-6, Hageo-ri, Yeosu-eup, Yeosu-gun, Gyeonggi-do, 469-803, Korea  
Applicant: Vieworks Co., Ltd.  
#601 ~ 610, Suntechcity 2, 307-2, Sangdaewon-dong Jungwon-Gu Seongnam-city Gyeonggi-do, 462-806, South Korea  
Applicant Contact: Jeong-mi Kim  
Title: Manager  
Phone: +82-70-7011-6176  
Fax: +82-31-737-4953  
FCC ID : PFRFXRS03A  
E-mail: [salangshy@vieworks.com](mailto:salangshy@vieworks.com)  
Product Type: System Control Unit  
Model Number: FXRS-03A  
Trademark: System Control Unit  
Sample Serial Number: N/A  
Test standards: FCC Part 15 C Section 15.247  
Sample Serial Number: N / A  
Sample Receive Date: 2013.07.09  
Testing Date: 2013.07.30 ~ 2013.08.09  
Test Report Date: 2013.08.17  
**Overall Results: Pass**

UL Korea Ltd. reports apply only to the specific test samples and test results submitted for UL's review. All samples tested were in good operating condition throughout the entire test program. It is the manufacturer's responsibility to assure that additional production units of this model are manufactured with identical electrical and mechanical components. UL Korea Ltd. shall have no liability for any deductions, inferences or generalizations drawn by the client or others from UL Korea Ltd. issued reports. This report shall not be used to claim, constitute or imply product certification, approval, or any agency of the National Authorities. This report may contain test results that are not covered by the NVLAP or KOLAS accreditation.

## Report Directory

<b>1. GENERAL PRODUCT INFORMATION .....</b>	<b>5</b>
1.1. EQUIPMENT DESCRIPTION .....	5
1.2. EQUIPMENT CONFIGURATION .....	5
1.3. TECHNICAL DATA.....	6
1.4. ANTENNA INFORMATION .....	6
1.5. EQUIPMENT TYPE : .....	6
1.6. TECHNICAL DESCRIPTIONS AND DOCUMENTS .....	6
1.7. EQUIPMENT MARKING PLATE.....	7
1.8. DESCRIPTION OF ADDITIONAL MODEL NAME.....	7
<b>2. TEST SPECIFICATION.....</b>	<b>8</b>
<b>3. TEST CONDITIONS .....</b>	<b>8</b>
3.1. EQUIPMENT USED DURING TEST .....	8
3.2. INPUT/OUTPUT PORTS .....	8
3.3. POWER INTERFACE .....	8
3.4. OPERATING FREQUENCIES .....	9
3.5. OPERATION MODES .....	9
3.6. TEST CONFIGURATIONS .....	10
3.7. LIST OF TEST EQUIPMENT.....	10
<b>4. OVERVIEW OF TECHNICAL REQUIREMENTS .....</b>	<b>11</b>
4.1. ANTENNA REQUIREMENT .....	11
<b>5. TEST RESULTS.....</b>	<b>12</b>
5.1. TRANSMITTER RADIATED SPURIOUS EMISSIONS .....	12
5.2. MAINS TERMINAL DISTURBANCE VOLTAGE TEST.....	31

## 1. General Product Information

### 1.1. Equipment Description

Wireless communication is established between the ViVIX-S Wireless detector and System Control Unit.

Details of Test Equipment (EUT)

- Equipment Type : System Control Unit
- Model No. : FXRS-03A
- Trade name : System Control Unit
- Type of test Equipment : System Control Unit
- Operating characteristic : Short range wireless device operating in the 2400 – 2483.5 ISM frequency band
- Manufacturer : Vieworks Co., Ltd.  
#601 ~ 610, Suntechcity 2, 307-2, Sangdaewon-dong Jungwon GuSeongnam-city  
Gyeonggi-do, 462-806, South korea

### 1.2. Equipment Configuration

The EUT is consisted of the following component provided by the manufacturer.

Use*	Product Type	Manufacturer	Model	Comments
EUT	System Control Unit	Vieworks Co., Ltd.	FXRS-03A	-
<b>*Note:</b> Use = EUT - Equipment Under Test, AE - Auxiliary/Associated Equipment. SIM - Simulator (Not Subjected to Test)				

### 1.3. Technical Data

Item	System Control Unit
Frequency Ranges	2412 ~ 2462 MHz, 5745~5825 MHz,
Kind of modulation (s)	DSSS (CCK), OFDM(BPSK, QPSK, 16QAM, 64QAM)
Channel	2412 ~ 2462 MHz: 11 channel(11b/g/n_HT20), 2422 ~ 2452 MHz : 7 channel(11n_HT40) 5745~5825 MHz: 5 channel(11a/n_HT20- Non DFS) 5755 ~ 5795 MHz: 2 channel(11n_HT40 - Non DFS)
Antenna information	Connector type (Dipole antenna)
Working temperature	-20 ~ 70 °C
Supply Voltage	AC 120 V
<b>*Note:</b> All the technical data described above were provided by the manufacturer.	

### 1.4. Antenna Information

Item	System Control Unit
Antenna Model Name	JK-450B
Antenna Type	Dipole antenna
Manufacturer	RODEM MICROSYSTEM CO., LTD.
Transmit Gain dBi	2.4 G: Max. 3.585dBi, 5 G: Max. 2.830dBi
Azimuth Beam Pattern	Linear vertical
<b>*Note:</b> All the technical data described above were provided by the manufacturer.	

### 1.5. Equipment Type :

- Radio and ancillary equipment for fixed or semi-fixed use  
 Radio and ancillary equipment for vehicular mounted use  
 Radio and ancillary equipment for portable or handheld use  
  
 Stand alone     Host connected  
  
 Self contained single unit                       Module with associated connection or interface

### 1.6. Technical descriptions and documents

No.	Document Title and Description
1	User Manual
2	RODEM MICROSYSTEM CO., LTD. // Antenna specification // JK-450B
<b>*Note:</b> The following document was provided by the manufacturer.	

**1.7. Equipment Marking Plate**



**1.8. Description of additional model name**

Model name	Model name Designation	Description of design
N/A	N/A	N/A

## 2. Test Specification

The following test specifications and standards have been applied and used for testing.

The following test specifications and standards have been applied and used for testing.

- 1) FCC Part 15 C Section 15.247
- 2) ANSI C63.10:2009

## 3. Test Conditions

### 3.1. Equipment Used During Test

Use*	Product Type	Manufacturer	Model	Comments
EUT	System Control Unit	Vieworks Co., Ltd.	FXRS-03A	-
AE	X-Ray Detector	Vieworks	FXRD-1417WA	-
AE	Note PC	Lenovo	X2000	-

**\*Note:** Use = EUT - Equipment Under Test, AE - Auxiliary/Associated Equipment. SIM - Simulator (Not Subjected to Test)

### 3.2. Input/Output Ports

Port #	Name	Type*	Cable Max. >3m	Shielded	Comments
1	Mains	AC	1.6 m	Unshielded	AC Power input port
2	Signal port	I/O	4.0 m	Shielded	Generator interface Cable
3	DC Output	DC	2.0 m	Shielded	SCU DC output port
4	RJ45	I/O	14.5 m	Shielded	PC to SCU interface Cable
5	Signal port	I/O	15 m	Shielded	SCU to X-Ray detector Cable

**Note 1:** All the interface cables and Power Cable have been provided by the manufacturer

**Note 2:** \*AC = AC Power Port                      DC = DC Power Port                      N/E = Non-Electrical  
 I/O = Signal Input or Output Port (Not Involved in Process Control)  
 TP = Telecommunication Ports

### 3.3. Power Interface

Mode #	Voltage (V)	Current (A)	Power (W)	Frequency (DC/AC-Hz)	Comments
Rated	AC100 to 240V	-	-	50/60 Hz	Rated of System Control Unit
1	120V	-	-	60Hz	-



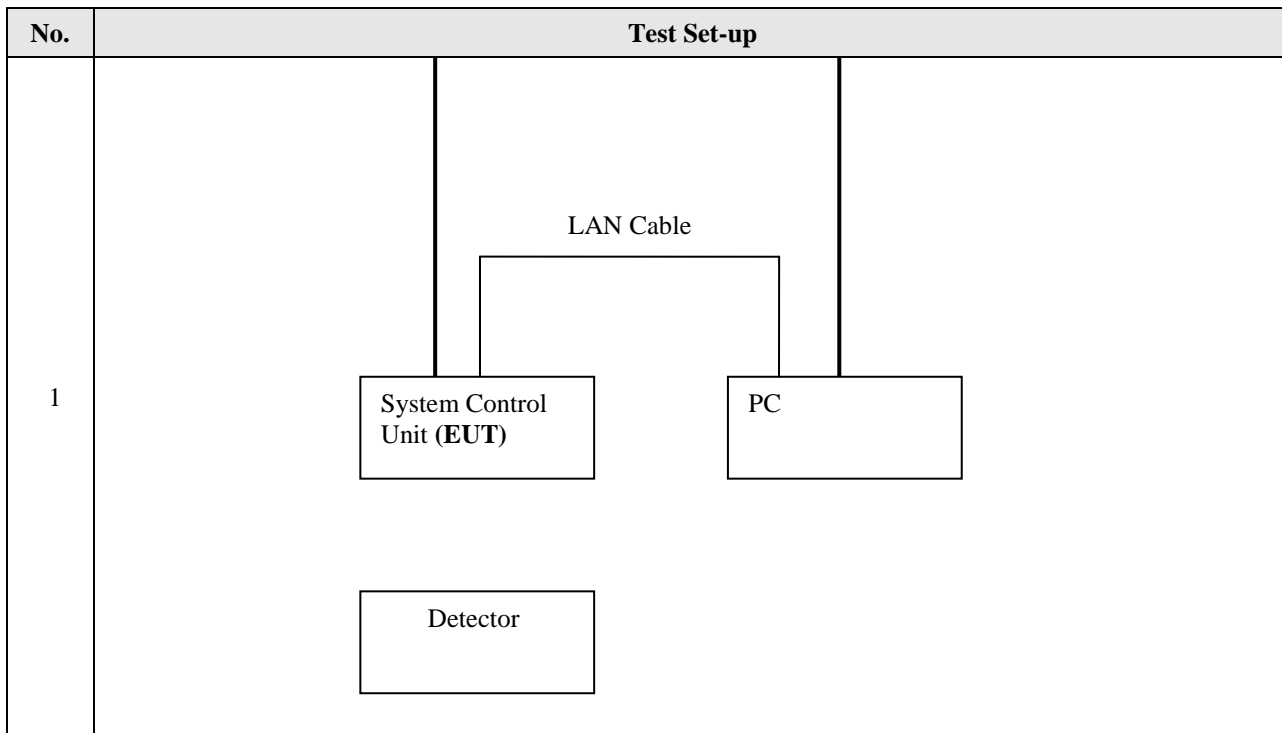
### 3.4. Operating Frequencies

Mode #	Frequency tested
1	<p>Operating frequency range: 2 412 MHz ~ 2 462 MHz (11b/g &amp; n-HT20)</p> <p>3 channels in the Transmitter modes of 11b/g/n-HT20 are tested.</p> <p>- Low : 2412 MHz / CH = 1</p> <p>- Mid : 2437 MHz / CH = 6</p> <p>- Top : 2462 MHz / CH= 11</p>
2	<p>Operating frequency range : 2 422 MHz ~ 2 452 MHz (11n-HT40)</p> <p>3 channels in the Transmitter modes of 11n-HT40 are tested.</p> <p>- Low : 2422 MHz / CH = 3</p> <p>- Mid : 2437 MHz / CH = 6</p> <p>- Top : 2452 MHz / CH= 9</p>
3	<p>Operating frequency range : 5 745 MHz ~ 5 825 MHz (11a &amp; n-HT20)</p> <p>3 channels in the Transmitter modes of 11a/n-HT20 are tested.</p> <p>- Low : 5745 MHz / CH = 149</p> <p>- Mid : 5785 MHz / CH = 157</p> <p>- Top : 5825 MHz / CH= 165</p>
4	<p>Operating frequency range : 5 755 MHz ~ 5 795 MHz (11an-HT40)</p> <p>2 channels in the Transmitter modes of 11n-HT40 are tested.</p> <p>- Low : 5755 MHz / CH = 151</p> <p>- Top : 5795 MHz / CH= 159</p>

### 3.5. Operation Modes

Mode #	Description
1	Carrier on mode: Signal from the RF module was generated continuously for the representative channels (Low, Mid, High) by the test program incorporated
2	Carrier off (Idle) mode: RF carrier was not activated by the RF module.
<p><b>*Note:</b></p> <ol style="list-style-type: none"> <li>The worst-case condition is determined by the baseline measurement of RF output power of the modular transmitter test report. The worst-case channel was determined as the channel with highest output power.</li> <li>Output power from the device during the radiated spurious measurements are within expected tolerance of the module test results to justify using the original conducted antenna port measurements for the module(average power).           <ul style="list-style-type: none"> <li>-. 11b/g : 17.0 dBm, 11n-HT20 : 16.0 dBm, 11n-HT40: 13.0 dBm for each channel</li> <li>-. 11a/n-HT20/40 : 16.0 dBm for each channel.</li> </ul> </li> </ol>	

### 3.6. Test Configurations



### 3.7. List of Test Equipment

No	Description	Manufacturer	Model	Identifier	Cal. Due
1	Spectrum Analyzer	R&S	FSV30	100736	2014.01.09
2	8360B Series Swept Signal Generator	HP	83630B	3844A00786	2014.06.06
3	Low Pass Filter	Mini-Circuits	NLP-1200+	V8979400903-1	2014.07.11
4	High Pass Filter	Wainwright Instrument	WHK6.0/18G-10SS	11	2014.07.07
5	High Pass Filter	Wainwright Instrument	WHJS3000-10TT	1	2014.01.10
6	Trilog-BroadBand Antenna	Schwarzbeck	VULB 9168	9168-462	2013.10.25
7	Horn Antenna	A.H.	SAS-571	414	2014.03.22
8	Preamplifier	R&S	SCU18	0117	2014.01.12
9	EMI Test Receiver	R&S	ESU40	100336	2014.06.27
10	Horn Antenna	ETS-Lindgren	3116	00062916	2015.03.20
11	Preamplifier	R&S	SCU40	10023	2013.11.15

## 4. Overview of Technical requirements

The following tests were performed on a sample submitted for evaluation of compliance with FCC Part 15 C Section 15.247				
No	Reference Clause No.	FCC Part15 Subpart C Conformance Requirements	Test method	Reported
1	15.205(a)	Restricted bands of operation	Note 1	[ X ]
2	15.209(a)	Radiated emission limits, general requirements	Note 1	[ X ]
3	15.247(d)	Transmitter radiated spurious emissions	Note 1	[ X ]
4	15.207	Transmitter AC power line conducted emission	Note 1	[ X ]
5	1.1307(b)(1)	Maximum Permissible Exposure (Exposure of Humans to RF Fields)	KDB 447498	Replaced by modular report
6	15.203	Antenna Requirement	-	[ X ]

**\*Note:** N/T=Not Tested, N/A=Not Applicable

Note 1: The measurement procedures described in the American National Standard for Methods of Measurement of Radio-Noise Emission from Low-Voltage Electrical and Electronic Equipment in the Range of 9 kHz to 40 MHz (ANSI C63.4-2003), the guidance provided in KDB 558074 and KDB 662911 were used in the measurement of the DUT.

Note 2: This device use already certified module so that the below specified test items are not tested in the end product evaluation. (TX Module FCC ID : PPD-AR5BHB116, Test Report no. FR080603A issued on Sep.16,2010 by Sporton International Inc. )

- . 6dB bandwidth
- . Tx Output Power
- . Band edge
- . Tx Spectral Power Density

### 4.1. Antenna Requirement

#### 4.1.1. Standard Applicable

For intentional device, according to FCC 47 CFR Section §15.203, an intentional radiator shall be designed to ensure that no antenna other than that furnished by the responsible party shall be used with the device. And according to FCC 47 CFR Section § 15.247 (b), if transmitting antennas of directional gain greater than 6 dBi are used, the power shall be reduced by the amount in dB that the gain of the antenna exceeds 6 dBi.

#### 4.1.2. Antenna Connected Construction

The antenna used of this product is dipole Antenna Assembly and peak max gain of each antennas as below. Antenna is permanently installed in the end product enclosure and no user exchange is allowed.

Band	2412 – 2462 MHz	5745 – 5825 MHz 5180 – 5320 MHz 5500 – 5700 MHz
Antenna Gain (dBi)	3.585dBi	2.830dBi

## 5. Test Results

### 5.1. Transmitter radiated spurious emissions

TEST: Transmitter radiated spurious emissions		
Method	Radiated emissions from the EUT were measured according to ANSI C63.4 procedure. 1. The EUT was placed on the top of a rotating table 0.8 meters above the ground at a 3 meter anechoic chamber test site. The table was rotated 360 degrees to determine the position of the highest radiation. The antenna is varied from 1 to 4 meters above the ground to find the maximum field strength. Measurement are made with both horizontal and vertical polarizations For fundamental investigation, the EUT was positioned for 3 orthogonal orientations. 2. For measurement below 1GHz, the resolution bandwidth is set to 100 kHz for peak detection or 120kHz for quasi-peak detection measurements. Peak detection is used unless otherwise noted as quasi-peak. 3. For measurement above 1GHz, the resolution bandwidth is set to 1 MHz and video bandwidth is set to 1 MHz for peak measurement and 10 Hz for average measurement. 4. For 2.4GHz transmitter measurement, the spectrum from 30 MHz to 26GHz is investigated for Low, Mid and High channels. For 5 GHz transmitter measurement, the spectrum from 30 MHz to 40GHz is investigated for Low, Mid and High channels.	
<b>Supplementary information:</b> Radiated emission which fall in the restricted bands must also comply with FCC section 15.209.		
Reference Clause	Part15 C Section 15.247 (d)	
Parameters recorded during the test	Laboratory Ambient Temperature	22 °C
	Relative Humidity	36 %
	Frequency range	Measurement Point
Fully configured sample scanned over the following frequency range	30MHz to 10 <sup>th</sup> harmonics	Enclosure Port (3 meter distance)

### Configuration Settings

Test Item	Power Interface Mode # (See Section 3.3)	Test Configurations Mode # (See Section 3.6)	EUT Operation Mode # (See 3.5)
Radiated Spurious emission	1	1	1
Conducted Spurious emission	N/A	N/A	N/A
Supplementary information: None			

### Limits

According to §15.247(d), in any 100 kHz bandwidth outside the frequency band in which the spread spectrum or digitally modulated intentional radiator is operating, the radio frequency power that is produced by the intentional radiator shall be at least 20 dB below that in the 100 kHz bandwidth within the band that contains the highest level of the desired power, based on either an RF conducted or a radiated measurement, provided the transmitter demonstrates compliance with the peak conducted power limits. If the transmitter complies with the conducted power limits based on the use of RMS averaging over a time interval, as permitted under paragraph(b)(3) of this section, the attenuation required under this paragraph shall be 30 dB instead of 20 dB. Attenuation below the general limits specified in section §15.209(a) is not required. In addition, radiated emission which in the restricted band, as define in section §15.205(a), must also comply the radiated emission limits specified in section §15.209(a) (see section §15.205(c))

According to § 15.209(a), Except as provided elsewhere in this Subpart, the emissions from an intentional radiator shall not exceed the field strength levels specified in the following table:

Project Number: 12CA08535  
Model Number: FXRS-03A

File Number : MC16340

Page : 13 of 36

Frequency (MHz)	Distance (meters)	Field Strength (dBuV/m)	Field Strength (uV/m)
30-88	3	40.0	100
88-216	3	43.5	150
216-960	3	46.0	200
Above 960	3	54.0	500

**5.1.1. Radiated Spurious Emissions for Below 1 GHz**

Measurement method :  Radiated       Conducted  
 Mode of operation : Continuous Wave  
 Power setting : Max. Power condition declared by the manufacturer

**Table 1. Test data for Radiated emission for Below 1 GHz\_2.4GHz**

Radiated emissions			Ant	Correction factors			Total	Limit	
Frequency (MHz)	Reading (dBuV)	Detect Mode	Pol.	Distance (dB)	AF (dB/m)	Amp gain+CL (dB)	Actual (dBuV/m)	Limit (dBuV/m)	Margin (dB)
129.9	24.65	Q.P.	V	N/A	11.94	2.15	38.75	43.50	4.75
145.7	19.86	Q.P.	V	N/A	12.86	2.33	35.05	43.50	8.45
159.2	12.30	Q.P.	H	N/A	13.29	2.46	28.05	43.00	14.95
160.2	18.38	Q.P.	V	N/A	13.30	2.47	34.15	43.50	11.85
750.0	12.46	Q.P.	H	N/A	21.61	6.08	40.15	46.00	5.85
750.0	17.26	Q.P.	V	N/A	21.61	6.08	44.95	46.00	1.05

**Table 2. Test data for Radiated emission for Below 1 GHz\_5 GHz**

Radiated emissions			Ant	Correction factors			Total	Limit	
Frequency (MHz)	Reading (dBuV)	Detect Mode	Pol.	Distance (dB)	AF (dB/m)	Amp gain+CL (dB)	Actual (dBuV/m)	Limit (dBuV/m)	Margin (dB)
129.5	22.88	Q.P.	V	N/A	11.92	2.15	36.95	43.50	6.55
145.8	20.56	Q.P.	V	N/A	12.86	2.33	35.75	43.50	7.75
159.9	19.77	Q.P.	H	N/A	13.31	2.47	35.55	43.50	7.95
160.1	20.98	Q.P.	V	N/A	13.30	2.47	36.75	43.50	6.75
750.0	13.56	Q.P.	H	N/A	21.61	6.08	41.25	46.00	4.75
750.0	17.26	Q.P.	V	N/A	21.61	6.08	44.95	46.00	1.05

**Supplementary information:**

- The frequency spectrum from 30 MHz to 1 000 MHz was investigated. Emission levels are not reported much lower than the limits by over 20 dB. All reading values are peak values.

**Remark**

- a. Actual = Reading + AF + AMP + CL (AF : Antenna factor, AMP : Amp gain, CL : Cable loss)
- b. Distance factor = 20log(Measurement distance / The measured distance)
- c. Margin = Limit (dBuV/m) - Actual (dBuV/m)

**5.1.2. Radiated Spurious Emissions for Above 1 GHz**

Measurement method :  Radiated       Conducted  
 Mode of operation : Continuous Wave  
 Power setting : Max. Power condition declared by the manufacturer

**802.11b**

**Table 3. Low Channel (2412 MHz)**

Radiated emissions			Ant	Correction factors			Total	Limit	
Frequency (MHz)	Reading (dBuV)	Detect Mode	Pol.	Distance (dB)	AF (dB/m)	Amp gain+CL (dB)	Actual (dBuV/m)	Limit (dBuV/m)	Margin (dB)
4824	55.35	Peak	H	N/A	32.87	-36.69	51.53	74.00	22.47
4824	46.49	Average	H	N/A	32.87	-36.69	42.67	54.00	11.33
4824	53.62	Peak	V	N/A	32.87	-36.69	49.80	74.00	24.20
4824	46.98	Average	V	N/A	32.87	-36.69	43.16	54.00	10.84

**Table 4. Middle Channel (2437 MHz)**

Radiated emissions			Ant	Correction factors			Total	Limit	
Frequency (MHz)	Reading (dBuV)	Detect Mode	Pol.	Distance (dB)	AF (dB/m)	Amp gain+CL (dB)	Actual (dBuV/m)	Limit (dBuV/m)	Margin (dB)
4874	55.00	Peak	H	N/A	33.01	-36.69	51.32	74.00	22.68
4874	47.22	Average	H	N/A	33.01	-36.69	43.54	54.00	10.46
4874	55.56	Peak	V	N/A	33.01	-36.69	51.88	74.00	22.12
4874	44.89	Average	V	N/A	33.01	-36.69	41.21	54.00	12.79

**Table 5. High Channel(2462 MHz)**

Radiated emissions			Ant	Correction factors			Total	Limit	
Frequency (MHz)	Reading (dBuV)	Detect Mode	Pol.	Distance (dB)	AF (dB/m)	Amp gain+CL (dB)	Actual (dBuV/m)	Limit (dBuV/m)	Margin (dB)
4924	50.76	Peak	H	N/A	33.05	-36.42	47.39	74.00	26.61
4924	39.32	Average	H	N/A	33.05	-36.42	35.95	54.00	18.05
4924	51.19	Peak	V	N/A	33.05	-36.42	47.82	74.00	26.18
4924	39.32	Average	V	N/A	33.05	-36.42	35.95	54.00	18.05

**802.11g**

**Table 6. Low Channel (2412 MHz)**

Radiated emissions			Ant	Correction factors			Total	Limit	
Frequency (MHz)	Reading (dBuV)	Detect Mode	Pol.	Distance (dB)	AF (dB/m)	Amp gain+CL (dB)	Actual (dBuV/m)	Limit (dBuV/m)	Margin (dB)
4824	48.25	Peak	H	N/A	32.87	-36.69	44.43	74.00	29.57
4824	37.02	Average	H	N/A	32.87	-36.69	33.20	54.00	20.80
4824	47.93	Peak	V	N/A	32.87	-36.69	44.11	74.00	29.89
4824	37.16	Average	V	N/A	32.87	-36.69	33.34	54.00	20.66

**Table 7. Middle Channel (2437 MHz)**

Radiated emissions			Ant	Correction factors			Total	Limit	
Frequency (MHz)	Reading (dBuV)	Detect Mode	Pol.	Distance (dB)	AF (dB/m)	Amp gain+CL (dB)	Actual (dBuV/m)	Limit (dBuV/m)	Margin (dB)
4874	58.00	Peak	H	N/A	33.01	-36.69	54.32	74.00	19.68
4874	41.36	Average	H	N/A	33.01	-36.69	37.68	54.00	16.32
4874	57.15	Peak	V	N/A	33.01	-36.69	53.47	74.00	20.53
4874	42.40	Average	V	N/A	33.01	-36.69	38.72	54.00	15.28

**Table 8. High Channel (2462 MHz)**

Radiated emissions			Ant	Correction factors			Total	Limit	
Frequency (MHz)	Reading (dBuV)	Detect Mode	Pol.	Distance (dB)	AF (dB/m)	Amp gain+CL (dB)	Actual (dBuV/m)	Limit (dBuV/m)	Margin (dB)
4924	61.04	Peak	H	N/A	33.05	-36.42	57.67	74.00	16.33
4924	46.27	Average	H	N/A	33.05	-36.42	42.90	54.00	11.10
4924	62.20	Peak	V	N/A	33.05	-36.42	58.83	74.00	15.17
4924	45.28	Average	V	N/A	33.05	-36.42	41.91	54.00	12.09



**802.11n\_HT20**

**Table 9. Low Channel (2412 MHz)**

Radiated emissions			Ant	Correction factors			Total	Limit	
Frequency (MHz)	Reading (dBuV)	Detect Mode	Pol.	Distance (dB)	AF (dB/m)	Amp gain+CL (dB)	Actual (dBuV/m)	Limit (dBuV/m)	Margin (dB)
4824	52.55	Peak	H	N/A	32.87	-36.69	48.73	74.00	25.27
4824	43.16	Average	H	N/A	32.87	-36.69	39.34	54.00	14.66
4824	53.10	Peak	V	N/A	32.87	-36.69	49.28	74.00	24.72
4824	43.02	Average	V	N/A	32.87	-36.69	39.20	54.00	14.80

**Table 10. Middle Channel (2437 MHz)**

Radiated emissions			Ant	Correction factors			Total	Limit	
Frequency (MHz)	Reading (dBuV)	Detect Mode	Pol.	Distance (dB)	AF (dB/m)	Amp gain+CL (dB)	Actual (dBuV/m)	Limit (dBuV/m)	Margin (dB)
4874	52.82	Peak	H	N/A	33.01	-36.69	49.14	74.00	24.86
4874	39.14	Average	H	N/A	33.01	-36.69	35.46	54.00	18.54
4874	55.83	Peak	V	N/A	33.01	-36.69	52.15	74.00	21.85
4874	40.43	Average	V	N/A	33.01	-36.69	36.75	54.00	17.25

**Table 11. High Channel (2462 MHz)**

Radiated emissions			Ant	Correction factors			Total	Limit	
Frequency (MHz)	Reading (dBuV)	Detect Mode	Pol.	Distance (dB)	AF (dB/m)	Amp gain+CL (dB)	Actual (dBuV/m)	Limit (dBuV/m)	Margin (dB)
4924	54.11	Peak	H	N/A	33.05	-36.42	50.74	74.00	23.26
4924	42.19	Average	H	N/A	33.05	-36.42	38.82	54.00	15.18
4924	56.22	Peak	V	N/A	33.05	-36.42	52.85	74.00	21.15
4924	42.97	Average	V	N/A	33.05	-36.42	39.60	54.00	14.40

**802.11n\_HT40**

**Table 12. Low Channel (2422 MHz)**

Radiated emissions			Ant	Correction factors			Total	Limit	
Frequency (MHz)	Reading (dBuV)	Detect Mode	Pol.	Distance (dB)	AF (dB/m)	Amp gain+CL (dB)	Actual (dBuV/m)	Limit (dBuV/m)	Margin (dB)
4844	52.66	Peak	H	N/A	33.36	-36.71	49.31	74.00	49.57
4844	42.28	Average	H	N/A	33.36	-36.71	38.93	54.00	38.92
4844	53.29	Peak	V	N/A	33.36	-36.71	49.94	74.00	51.36
4844	43.59	Average	V	N/A	33.36	-36.71	40.24	54.00	39.33

**Table 13. Middle Channel (2437 MHz)**

Radiated emissions			Ant	Correction factors			Total	Limit	
Frequency (MHz)	Reading (dBuV)	Detect Mode	Pol.	Distance (dB)	AF (dB/m)	Amp gain+CL (dB)	Actual (dBuV/m)	Limit (dBuV/m)	Margin (dB)
4874	52.91	Peak	H	N/A	33.01	-36.69	49.23	74.00	49.57
4874	42.82	Average	H	N/A	33.01	-36.69	39.14	54.00	38.92
4874	52.97	Peak	V	N/A	33.01	-36.69	49.29	74.00	51.36
4874	42.77	Average	V	N/A	33.01	-36.69	39.09	54.00	39.33

**Table 14. High Channel (2452 MHz)**

Radiated emissions			Ant	Correction factors			Total	Limit	
Frequency (MHz)	Reading (dBuV)	Detect Mode	Pol.	Distance (dB)	AF (dB/m)	Amp gain+CL (dB)	Actual (dBuV/m)	Limit (dBuV/m)	Margin (dB)
4904	54.83	Peak	H	N/A	33.13	-36.59	51.37	74.00	49.57
4904	42.76	Average	H	N/A	33.13	-36.59	39.30	54.00	38.92
4904	54.64	Peak	V	N/A	33.13	-36.59	51.18	74.00	51.36
4904	43.56	Average	V	N/A	33.13	-36.59	40.10	54.00	39.33

802.11a

**Table 15. Low Channel (5745 MHz)**

Radiated emissions			Ant	Correction factors			Total	Limit	
Frequency (MHz)	Reading (dBuV)	Detect Mode	Pol.	Distance (dB)	AF (dB/m)	Amp gain+CL (dB)	Actual (dBuV/m)	Limit (dBuV/m)	Margin (dB)
11490	60.20	Peak	H	N/A	38.22	-32.67	65.75	74.00	8.25
11490	44.30	Average	H	N/A	38.22	-32.67	49.85	54.00	4.15
11490	59.48	Peak	V	N/A	38.22	-32.67	65.03	74.00	8.97
11490	45.71	Average	V	N/A	38.22	-32.67	51.26	54.00	2.74

**Table 16. Middle Channel (5785 MHz)**

Radiated emissions			Ant	Correction factors			Total	Limit	
Frequency (MHz)	Reading (dBuV)	Detect Mode	Pol.	Distance (dB)	AF (dB/m)	Amp gain+CL (dB)	Actual (dBuV/m)	Limit (dBuV/m)	Margin (dB)
11570	57.33	Peak	H	N/A	38.20	-31.05	64.49	74.00	9.51
11570	43.00	Average	H	N/A	38.20	-31.05	50.16	54.00	3.85
11570	58.22	Peak	V	N/A	38.20	-31.05	65.38	74.00	8.63
11570	44.61	Average	V	N/A	38.20	-31.05	51.77	54.00	2.23

**Table 17. High Channel (5825 MHz)**

Radiated emissions			Ant	Correction factors			Total	Limit	
Frequency (MHz)	Reading (dBuV)	Detect Mode	Pol.	Distance (dB)	AF (dB/m)	Amp gain+CL (dB)	Actual (dBuV/m)	Limit (dBuV/m)	Margin (dB)
11650	55.90	Peak	H	N/A	38.20	-31.01	63.09	74.00	10.91
11650	39.21	Average	H	N/A	38.20	-31.01	46.40	54.00	7.60
11650	62.43	Peak	V	N/A	38.20	-31.01	69.62	74.00	4.38
11650	43.69	Average	V	N/A	38.20	-31.01	50.88	54.00	3.12

**802.11a\_HT20**

**Table 18. Low Channel (5745 MHz)**

Radiated emissions			Ant	Correction factors			Total	Limit	
Frequency (MHz)	Reading (dBuV)	Detect Mode	Pol.	Distance (dB)	AF (dB/m)	Amp gain+CL (dB)	Actual (dBuV/m)	Limit (dBuV/m)	Margin (dB)
11490	54.72	Peak	H	N/A	38.22	-32.67	60.27	74.00	13.73
11490	38.88	Average	H	N/A	38.22	-32.67	44.43	54.00	9.57
11490	62.86	Peak	V	N/A	38.22	-32.67	68.41	74.00	5.59
11490	45.79	Average	V	N/A	38.22	-32.67	51.34	54.00	2.66

**Table 19. Middle Channel (5785 MHz)**

Radiated emissions			Ant	Correction factors			Total	Limit	
Frequency (MHz)	Reading (dBuV)	Detect Mode	Pol.	Distance (dB)	AF (dB/m)	Amp gain+CL (dB)	Actual (dBuV/m)	Limit (dBuV/m)	Margin (dB)
11570	49.39	Peak	H	N/A	38.20	-31.05	56.54	74.00	17.46
11570	33.38	Average	H	N/A	38.20	-31.05	40.53	54.00	13.47
11570	59.19	Peak	V	N/A	38.20	-31.05	66.34	74.00	7.66
11570	43.53	Average	V	N/A	38.20	-31.05	50.68	54.00	3.32

**Table 20. High Channel (5825 MHz)**

Radiated emissions			Ant	Correction factors			Total	Limit	
Frequency (MHz)	Reading (dBuV)	Detect Mode	Pol.	Distance (dB)	AF (dB/m)	Amp gain+CL (dB)	Actual (dBuV/m)	Limit (dBuV/m)	Margin (dB)
11650	50.65	Peak	H	N/A	38.20	-31.01	57.84	74.00	16.16
11650	35.44	Average	H	N/A	38.20	-31.01	42.63	54.00	11.37
11650	58.75	Peak	V	N/A	38.20	-31.01	65.94	74.00	8.06
11650	44.12	Average	V	N/A	38.20	-31.01	51.31	54.00	2.69

**802.11a\_HT40**

**Table 21. Low Channel (5755 MHz)**

Radiated emissions			Ant	Correction factors			Total	Limit	
Frequency (MHz)	Reading (dBuV)	Detect Mode	Pol.	Distance (dB)	AF (dB/m)	Amp gain+CL (dB)	Actual (dBuV/m)	Limit (dBuV/m)	Margin (dB)
11510	51.29	Peak	H	N/A	38.75	-32.51	57.53	74.00	16.47
11510	35.10	Average	H	N/A	38.75	-32.51	41.34	54.00	12.66
11510	58.89	Peak	V	N/A	38.75	-32.51	65.13	74.00	8.87
11510	45.76	Average	V	N/A	38.75	-32.51	52.00	54.00	2.00

**Table 22. High Channel (5795 MHz)**

Radiated emissions			Ant	Correction factors			Total	Limit	
Frequency (MHz)	Reading (dBuV)	Detect Mode	Pol.	Distance (dB)	AF (dB/m)	Amp gain+CL (dB)	Actual (dBuV/m)	Limit (dBuV/m)	Margin (dB)
11590	49.78	Peak	H	N/A	38.73	-31.04	57.47	74.00	16.53
11590	35.15	Average	H	N/A	38.73	-31.04	42.84	54.00	11.16
11590	60.16	Peak	V	N/A	38.73	-31.04	67.85	74.00	6.15
11590	43.17	Average	V	N/A	38.73	-31.04	50.86	54.00	3.14

**Supplementary information:**

- Measuring frequencies from 1 GHz to the 10<sup>th</sup> harmonic of highest fundamental Frequency. Radiated emissions measured in frequency above 1 000 MHz were made with an instrument using peak/average detector mode.

**Remark**

- a. “\*” means the restricted band.
- b. Average test would be performed if the peak result were greater than the average limit.
- c. Actual = Reading + AF + AMP + CL (AF : Antenna factor, AMP : Amp gain, CL : Cable loss)
- d. Distance factor = 20log(Measurement distance / The measured distance)
- e. Margin = Limit (dBuV/m) - Actual (dBuV/m)

**5.1.3. Radiated Restricted Band Edge Measurements**

Measurement method :  Radiated  Conducted

Mode of operation : Continuous Wave

**Table 23. Measurement for restricted band of 11b**

Radiated emissions			Ant	Correction factors			Total	Limit	
Frequency (MHz)	Reading (dBuV)	Detect Mode	Pol.	Distance (dB)	AF (dB/m)	Cable loss (dB)	Actual (dBuV/m)	Limit (dBuV/m)	Margin (dB)
2388.00	26.68	Peak	V	N/A	28.04	6.30	61.02	74.00	12.98
2386.53	14.07	Average	V	N/A	28.04	6.31	48.42	54.00	5.58
2386.27	27.75	Peak	H	N/A	28.04	6.31	62.1	74.00	11.90
2386.67	14.06	Average	H	N/A	28.04	6.31	48.41	54.00	5.59
2486.17	26.79	Peak	V	N/A	28.32	6.56	61.67	74.00	12.33
2486.88	13.64	Average	V	N/A	28.32	6.56	48.52	54.00	5.48
2487.21	27.17	Peak	H	N/A	28.32	6.56	62.05	74.00	11.95
2487.32	13.63	Average	H	N/A	28.32	6.56	48.51	54.00	5.49

**Table 24. Measurement for restricted band of 11g**

Radiated emissions			Ant	Correction factors			Total	Limit	
Frequency (MHz)	Reading (dBuV)	Detect Mode	Pol.	Distance (dB)	AF (dB/m)	Cable loss (dB)	Actual (dBuV/m)	Limit (dBuV/m)	Margin (dB)
2376.53	27.80	Peak	V	N/A	28.02	6.31	62.13	74.00	11.87
2390.00	14.29	Average	V	N/A	28.05	6.30	48.64	54.00	5.36
2382.27	26.67	Peak	H	N/A	28.03	6.31	61.01	74.00	12.99
2390.00	14.32	Average	H	N/A	28.05	6.30	48.67	54.00	5.33
2483.69	31.07	Peak	V	N/A	28.31	6.56	65.94	74.00	8.06
2483.83	14.93	Average	V	N/A	28.31	6.56	49.8	54.00	4.20
2483.50	30.27	Peak	H	N/A	28.31	6.56	65.14	74.00	8.86
2483.78	14.83	Average	H	N/A	28.31	6.56	49.7	54.00	4.30

**Table 25. Measurement for restricted band of 11n (HT20)**

Radiated emissions			Ant	Correction factors			Total	Limit	
Frequency (MHz)	Reading (dBuV)	Detect Mode	Pol.	Distance (dB)	AF (dB/m)	Cable loss (dB)	Actual (dBuV/m)	Limit (dBuV/m)	Margin (dB)
2389.87	27.49	Peak	V	N/A	28.04	6.30	61.83	74.00	12.17
2390.00	14.22	Average	V	N/A	28.05	6.30	48.57	54.00	5.43
2388.40	26.86	Peak	H	N/A	28.04	6.30	61.20	74.00	12.80
2390.00	14.29	Average	H	N/A	28.05	6.30	48.64	54.00	5.36
2483.69	32.97	Peak	V	N/A	28.31	6.56	67.84	74.00	6.16
2483.69	15.34	Average	V	N/A	28.31	6.56	50.21	54.00	3.79
2484.77	31.48	Peak	H	N/A	28.31	6.56	66.35	74.00	7.65
2483.53	15.01	Average	H	N/A	28.31	6.56	49.88	54.00	4.12

**Table 26. Measurement for restricted band of 11n (HT40)**

Radiated emissions			Ant	Correction factors			Total	Limit	
Frequency (MHz)	Reading (dBuV)	Detect Mode	Pol.	Distance (dB)	AF (dB/m)	Cable loss (dB)	Actual (dBuV/m)	Limit (dBuV/m)	Margin (dB)
2387.20	26.57	Peak	V	N/A	28.04	6.31	60.92	74.00	13.08
2386.27	13.32	Average	V	N/A	28.04	6.31	47.67	54.00	6.33
2354.40	25.88	Peak	H	N/A	27.93	6.21	60.02	74.00	13.98
2385.47	13.26	Average	H	N/A	28.04	6.31	47.61	54.00	6.39
2484.55	34.12	Peak	V	N/A	28.31	6.56	68.99	74.00	5.01
2483.97	14.62	Average	V	N/A	28.31	6.56	49.49	54.00	4.51
2483.78	34.11	Peak	H	N/A	28.31	6.56	68.98	74.00	5.02
2492.85	14.48	Average	H	N/A	28.33	6.56	49.37	54.00	4.63

**5.1.4. Receiving mode Radiated Spurious Emissions for Below 1 GHz**

**Table 27. Test data for Radiated emission for Below 1 GHz\_2.4GHz**

No.	Frequency [MHz]	(P)	Reading [dB(uV)]	c.f [dB(1/m)]	Result [dB(uV/m)]	Limit [dB(uV/m)]	Margin [dB]	Height [cm]	Angle [deg]
1	162.526	V	32.6	-5.2	27.4	43.5	16.1	100.0	221.0
2	574.776	V	32.7	-2.8	29.9	46.0	16.1	195.0	0.0
3	733.008	V	33.4	0.3	33.7	46.0	12.3	100.0	221.0
4	799.695	H	28.5	1.5	30.0	46.0	16.0	100.0	82.0
5	866.383	H	33.9	2.8	36.7	46.0	9.3	100.0	7.0
6	866.383	V	33.4	2.8	36.2	46.0	9.8	195.0	0.0
7	874.627	V	27.6	2.9	30.5	46.0	15.5	100.0	108.0
8	932.949	V	27.9	4.6	32.5	46.0	13.5	100.0	0.0

**Table 28. Test data for Radiated emission for Below 1 GHz\_5 GHz**

No.	Frequency [MHz]	(P)	Reading [dB(uV)]	c.f [dB(1/m)]	Result [dB(uV/m)]	Limit [dB(uV/m)]	Margin [dB]	Height [cm]	Angle [deg]
1	574.776	V	33.5	-2.8	30.7	46.0	15.3	195.0	0.0
2	733.008	V	33.9	0.3	34.2	46.0	11.8	100.0	182.0
3	866.383	H	34.1	2.8	36.9	46.0	9.1	100.0	80.0
4	866.383	V	33.2	2.8	36.0	46.0	10.0	100.0	70.0
5	874.627	H	29.4	2.9	32.3	46.0	13.7	100.0	268.0
6	874.627	V	27.2	2.9	30.1	46.0	15.9	100.0	107.0
7	932.949	V	27.7	4.6	32.3	46.0	13.7	100.0	70.0
8	932.949	H	26.6	4.6	31.2	46.0	14.8	100.0	193.0

**Supplementary information:**

-. The frequency spectrum from 30 MHz to 1000 MHz was investigated. Emission levels are not reported much lower than the limits by over 20 dB. All reading values are peak values.

**Remark**

1. The field strength of spurious emission was measured in the following position: EUT stand-up position(Z axis), lie-down position(X,Y axis). The worst emission was found in stand-up position(Z axis) and the worst case was recorded.



**5.1.5. Receiving mode Radiated Spurious Emissions for Above 1 GHz**

Measurement method :  Radiated       Conducted  
 Mode of operation : Receiving mode

**802.11g**

**Table 29. Low Channel (2412 MHz)**

Frequency [MHz]	Reading [dBuV/m]	Pol.	Correction Factor [dB]		Limits [dBuV/m]	Result [dBuV/m]	Margin [dB]
	AV / Peak		Ant	CL+Amp	AV / Peak	AV / Peak	AV / Peak
No emissions were detected at a level greater than 20dB below limit.							

**Table 30. Middle Channel (2437 MHz)**

Frequency [MHz]	Reading [dBuV/m]	Pol.	Correction Factor [dB]		Limits [dBuV/m]	Result [dBuV/m]	Margin [dB]
	AV / Peak		Ant	CL+Amp	AV / Peak	AV / Peak	AV / Peak
No emissions were detected at a level greater than 20dB below limit.							

**Table 31. High Channel (2462 MHz)**

Frequency [MHz]	Reading [dBuV/m]	Pol.	Correction Factor [dB]		Limits [dBuV/m]	Result [dBuV/m]	Margin [dB]
	AV / Peak		Ant	CL+Amp	AV / Peak	AV / Peak	AV / Peak
No emissions were detected at a level greater than 20dB below limit.							

802.11n\_HT20\_2.4GHz

**Table 32. Low Channel (2412 MHz)**

Frequency [MHz]	Reading [dBuV/m]	Pol.	Correction Factor [dB]		Limits [dBuV/m]	Result [dBuV/m]	Margin [dB]
	AV / Peak		Ant	CL+Amp	AV / Peak	AV / Peak	AV / Peak
No emissions were detected at a level greater than 20dB below limit.							

**Table 33. Middle Channel (2437 MHz)**

Frequency [MHz]	Reading [dBuV/m]	Pol.	Correction Factor [dB]		Limits [dBuV/m]	Result [dBuV/m]	Margin [dB]
	AV / Peak		Ant	CL+Amp	AV / Peak	AV / Peak	AV / Peak
No emissions were detected at a level greater than 20dB below limit.							

**Table 34. High Channel (2462 MHz)**

Frequency [MHz]	Reading [dBuV/m]	Pol.	Correction Factor [dB]		Limits [dBuV/m]	Result [dBuV/m]	Margin [dB]
	AV / Peak		Ant	CL+Amp	AV / Peak	AV / Peak	AV / Peak
No emissions were detected at a level greater than 20dB below limit.							

802.11n\_HT40\_2.4GHz

**Table 35. Low Channel (2422 MHz)**

Frequency [MHz]	Reading [dBuV/m]	Pol.	Correction Factor [dB]		Limits [dBuV/m]	Result [dBuV/m]	Margin [dB]
	AV / Peak		Ant	CL+Amp	AV / Peak	AV / Peak	AV / Peak
No emissions were detected at a level greater than 20dB below limit.							

**Table 36. Middle Channel (2437 MHz)**

Frequency [MHz]	Reading [dBuV/m]	Pol.	Correction Factor [dB]		Limits [dBuV/m]	Result [dBuV/m]	Margin [dB]
	AV / Peak		Ant	CL+Amp	AV / Peak	AV / Peak	AV / Peak
No emissions were detected at a level greater than 20dB below limit.							

**Table 37. High Channel (2452 MHz)**

Frequency [MHz]	Reading [dBuV/m]	Pol.	Correction Factor [dB]		Limits [dBuV/m]	Result [dBuV/m]	Margin [dB]
	AV / Peak		Ant	CL+Amp	AV / Peak	AV / Peak	AV / Peak
No emissions were detected at a level greater than 20dB below limit.							

802.11a

**Table 38. Low Channel (5745 MHz)**

Frequency [MHz]	Reading [dBuV/m]	Pol.	Correction Factor [dB]		Limits [dBuV/m]	Result [dBuV/m]	Margin [dB]
	AV / Peak		Ant	CL+Amp	AV / Peak	AV / Peak	AV / Peak
No emissions were detected at a level greater than 20dB below limit.							

**Table 39. Middle Channel (5785 MHz)**

Frequency [MHz]	Reading [dBuV/m]	Pol.	Correction Factor [dB]		Limits [dBuV/m]	Result [dBuV/m]	Margin [dB]
	AV / Peak		Ant	CL+Amp	AV / Peak	AV / Peak	AV / Peak
No emissions were detected at a level greater than 20dB below limit.							

**Table 40. High Channel (5825 MHz)**

Frequency [MHz]	Reading [dBuV/m]	Pol.	Correction Factor [dB]		Limits [dBuV/m]	Result [dBuV/m]	Margin [dB]
	AV / Peak		Ant	CL+Amp	AV / Peak	AV / Peak	AV / Peak
No emissions were detected at a level greater than 20dB below limit.							

802.11n\_HT20\_5GHz

**Table 41. Low Channel (5745 MHz)**

Frequency [MHz]	Reading [dBuV/m]	Pol.	Correction Factor [dB]		Limits [dBuV/m]	Result [dBuV/m]	Margin [dB]
	AV / Peak		Ant	CL+Amp	AV / Peak	AV / Peak	AV / Peak
No emissions were detected at a level greater than 20dB below limit.							

**Table 42. Middle Channel (5785 MHz)**

Frequency [MHz]	Reading [dBuV/m]	Pol.	Correction Factor [dB]		Limits [dBuV/m]	Result [dBuV/m]	Margin [dB]
	AV / Peak		Ant	CL+Amp	AV / Peak	AV / Peak	AV / Peak
No emissions were detected at a level greater than 20dB below limit.							

**Table 43. High Channel (5825 MHz)**

Frequency [MHz]	Reading [dBuV/m]	Pol.	Correction Factor [dB]		Limits [dBuV/m]	Result [dBuV/m]	Margin [dB]
	AV / Peak		Ant	CL+Amp	AV / Peak	AV / Peak	AV / Peak
No emissions were detected at a level greater than 20dB below limit.							

**802.11n\_HT40\_5GHz**

**Table 44. Low Channel (5755 MHz)**

Frequency [MHz]	Reading [dBuV/m]	Pol.	Correction Factor [dB]		Limits [dBuV/m]	Result [dBuV/m]	Margin [dB]
	AV / Peak		Ant	CL+Amp	AV / Peak	AV / Peak	AV / Peak
No emissions were detected at a level greater than 20dB below limit.							

**Table 45. High Channel (5795 MHz)**

Frequency [MHz]	Reading [dBuV/m]	Pol.	Correction Factor [dB]		Limits [dBuV/m]	Result [dBuV/m]	Margin [dB]
	AV / Peak		Ant	CL+Amp	AV / Peak	AV / Peak	AV / Peak
No emissions were detected at a level greater than 20dB below limit.							

## 5.2. Mains Terminal Disturbance Voltage Test

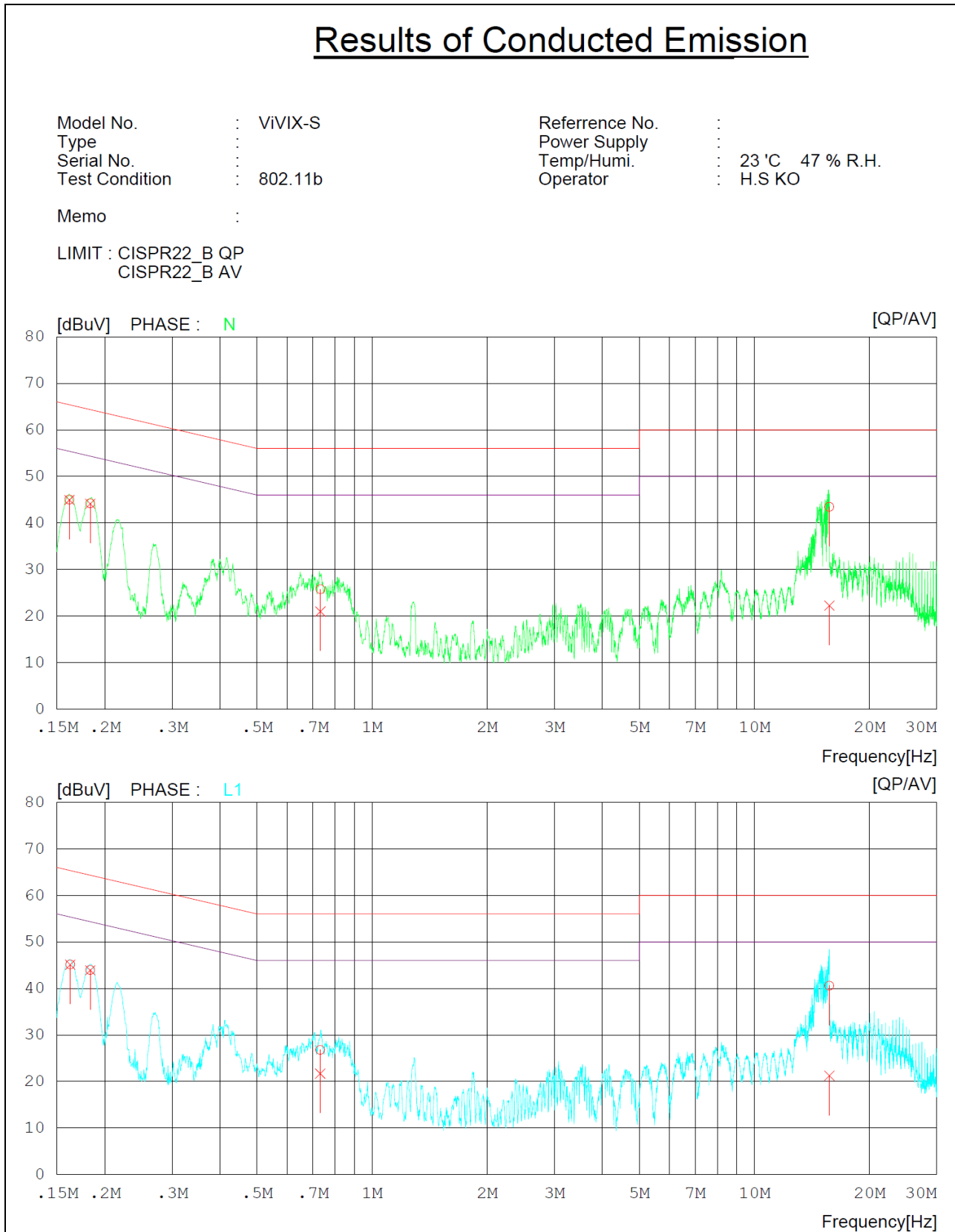
<b>TEST: Limits of mains terminal disturbance voltage</b>				
Method	Measurements were made on a ground plane that extends 1-meter minimum beyond all sides of the system under test. All power was connected to the system through Artificial Mains Network (AMN). Conducted voltage measurements on mains lines were made at the output of the AMN.			
Parameters recorded during the test	Laboratory Ambient Temperature	21°C		
	Relative Humidity	44%		
-	Frequency range on each side of line	Measurement Point		
Fully configured sample scanned over the following frequency range	0.15 MHz to 30 MHz	AC input port of EUT		
<b>Limits - Class B</b>				
Frequency (MHz)	Limit (dB $\mu$ V)			
	Quasi-Peak	Result	Average	Result
0.15 to 0.50	66 to 56	Pass	56 to 46	Pass
0.50 to 5	56	Pass	46	Pass
5 to 30	60	Pass	50	Pass
<b>EUT Configuration Settings:</b>				
Power Interface Mode # (See Section 2.3)	EUT Operation Mode # (See 2.4)		EUT Configurations Mode # (See Section 2.5)	
1	1		1	
<b>Conducted Emissions Test Equipment used:</b>				
Description	Manufacturer	Model	Identifier	Cal. Due
EMI Test Receiver	R&S	ESCI	100364	2014. 02. 27
ANM(EUT)	R&S	ESH2-Z5	828739/006	2013. 09. 18
LISN(Ancillary)	TTI	LISN1600	197204	2014.06. 27
DC block	HYUPLIP	KFL-007	7-1581-5	N/A
50 Ohm terminator	TME	CT-01	N/A	2013. 09. 01

**Figure.1. Test Setup for Conducted Emissions**





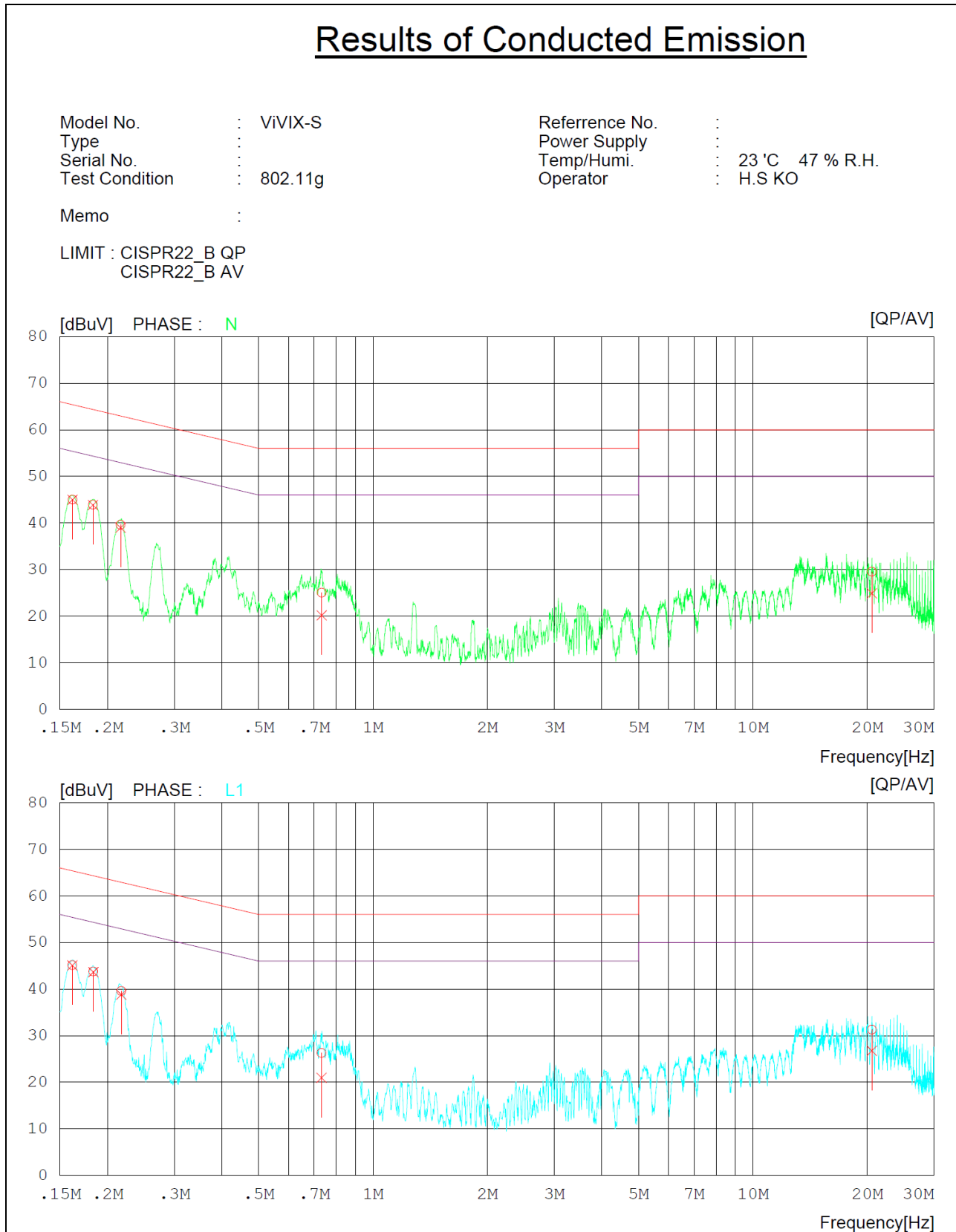
Figure.2. Conducted Emissions Graph



**Table 1. Conducted Emissions Data Table**

Model No.	: ViVIX-S		Reference No.	:							
Type	:		Power Supply	:							
Serial No.	:		Temp/Humi.	: 23 'C 47 % R.H.							
Test Condition	: 802.11b		Operator	: H.S KO							
Memo	:										
LIMIT	: CISPR22_B QP										
	: CISPR22_B AV										
NO	FREQ	READING		C.FACTOR	RESULT		LIMIT		MARGIN		PHASE
	[MHz]	QP	AV	[dB]	QP	AV	QP	AV	QP	AV	
		[dBuV]	[dBuV]		[dBuV]	[dBuV]	[dBuV]	[dBuV]	[dBuV]	[dBuV]	
1	0.16154	44.7	44.6	0.3	45.0	44.9	65.4	55.4	20.4	10.5	N
2	0.18319	44.0	43.9	0.2	44.2	44.1	64.3	54.3	20.1	10.2	N
3	0.73271	25.6	20.8	0.2	25.8	21.0	56.0	46.0	30.2	25.0	N
4	15.71050	42.4	21.2	1.0	43.4	22.2	60.0	50.0	16.6	27.8	N
5	0.16246	44.8	44.8	0.3	45.1	45.1	65.3	55.3	20.2	10.2	L1
6	0.18319	43.8	43.7	0.2	44.0	43.9	64.3	54.3	20.3	10.4	L1
7	0.73225	26.6	21.5	0.2	26.8	21.7	56.0	46.0	29.2	24.3	L1
8	15.71000	39.6	20.3	1.0	40.6	21.3	60.0	50.0	19.4	28.7	L1

Figure.3. Conducted Emissions Graph



**Table 2. Conducted Emissions Data Table**

Model No.	: VIVIX-S			Reference No.	:						
Type	:			Power Supply	:						
Serial No.	:			Temp/Humi.	: 23 'C 47 % R.H.						
Test Condition	: 802.11g			Operator	: H.S KO						
Memo	:										
LIMIT	: CISPR22_B QP										
	: CISPR22_B AV										
NO	FREQ [MHz]	READING		C.FACTOR [dB]	RESULT		LIMIT		MARGIN		PHASE
		QP [dBuV]	AV [dBuV]		QP [dBuV]	AV [dBuV]	QP [dBuV]	AV [dBuV]	QP [dBuV]	AV [dBuV]	
1	0.16188	44.7	44.7	0.3	45.0	45.0	65.4	55.4	20.4	10.4	N
2	0.18324	43.7	43.6	0.2	43.9	43.8	64.3	54.3	20.4	10.5	N
3	0.21665	39.4	38.8	0.2	39.6	39.0	62.9	52.9	23.3	13.9	N
4	0.73296	24.9	20.0	0.2	25.1	20.2	56.0	46.0	30.9	25.8	N
5	20.57200	28.4	23.8	1.1	29.5	24.9	60.0	50.0	30.5	25.1	N
6	0.16164	44.9	44.8	0.3	45.2	45.1	65.4	55.4	20.2	10.3	L1
7	0.18366	43.6	43.4	0.2	43.8	43.6	64.3	54.3	20.5	10.7	L1
8	0.21758	39.4	38.6	0.2	39.6	38.8	62.9	52.9	23.3	14.1	L1
9	0.73226	26.1	20.8	0.2	26.3	21.0	56.0	46.0	29.7	25.0	L1
10	20.57350	30.2	25.6	1.1	31.3	26.7	60.0	50.0	28.7	23.3	L1