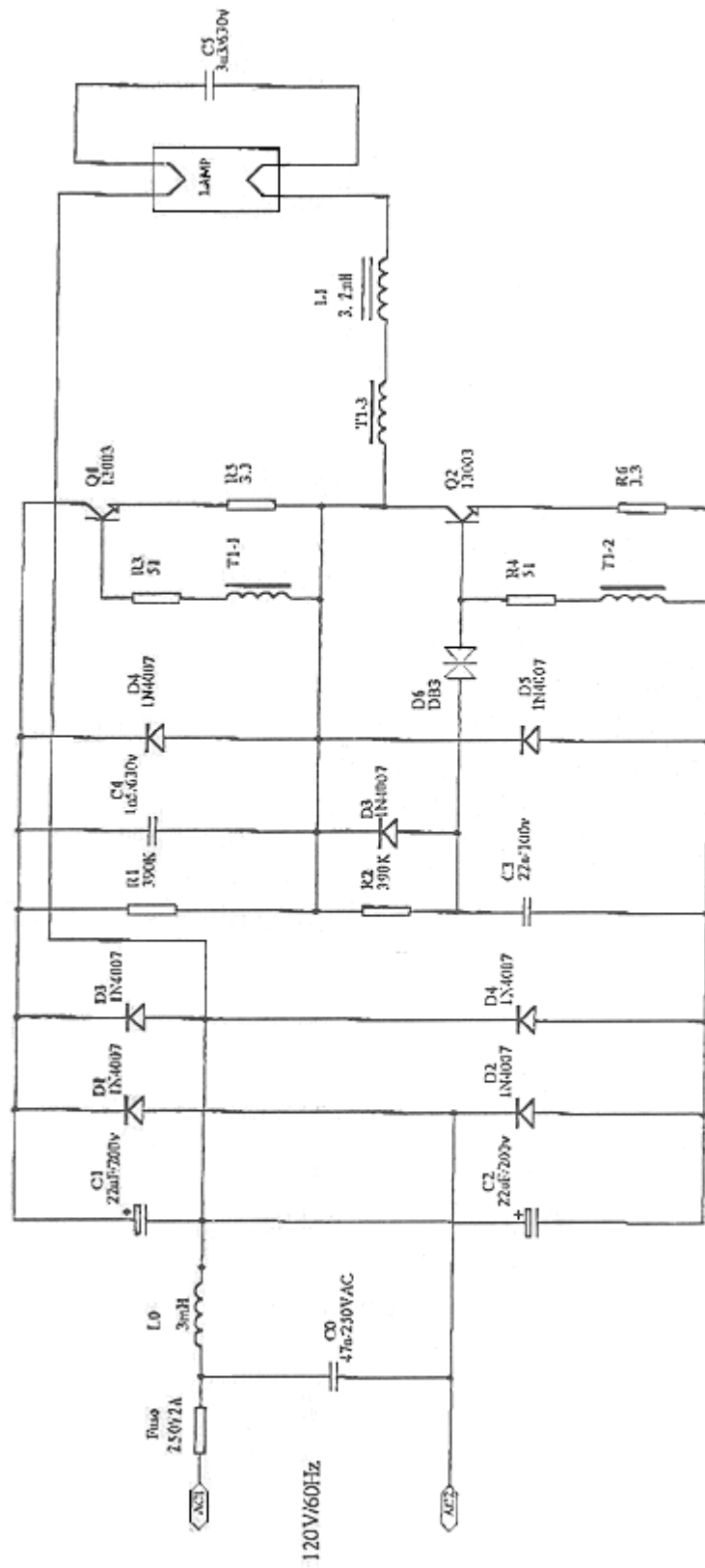
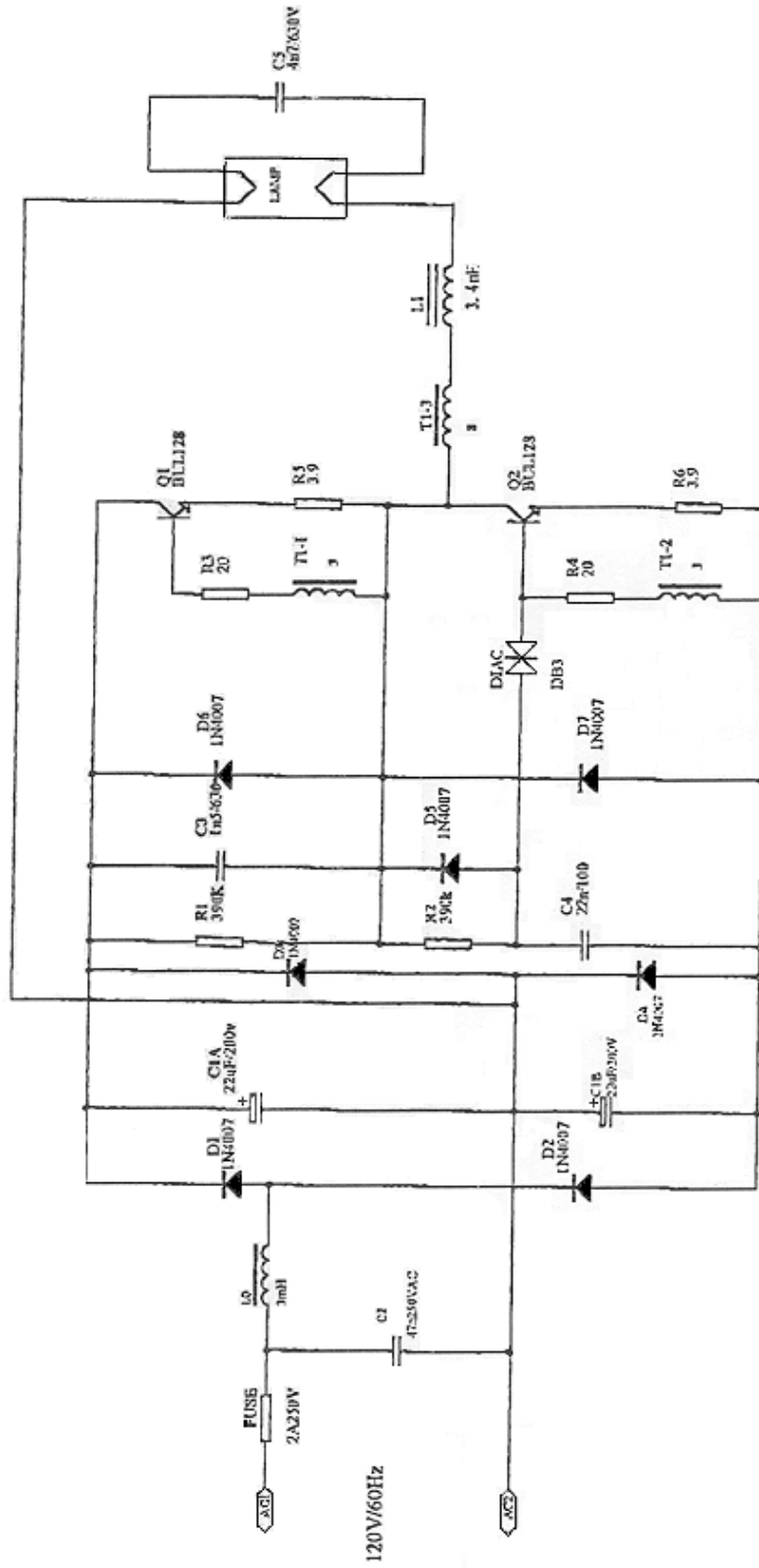


Schematics



(M/N: YPZ120-3U Series)



(M/N: YPZ120-S Series)