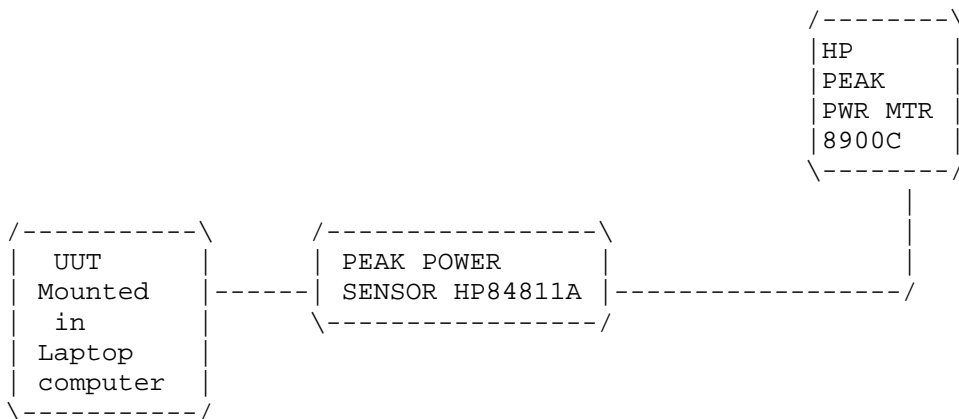


APPLICANT: ACROWAVE SYSTEMS CO., LTD.  
 FCC ID: PE6AWL-1100C  
 NAME OF TEST: 6.0dB BANDWIDTH  
 RULES PART NUMBER: 15.247(a)(2)  
 REQUIREMENTS: The 6.0dB bandwidth must be greater than 500KHz.  
 MEASUREMENT: The 6.0dB bandwidth measured @ 2442.00MHz was 11.10MHz.  
 MEASUREMENT DATA: See plots on the next 2 pages.

NAME OF TEST: POWER OUTPUT  
 RULES PART NUMBER: 15.247(b) 1.0Watt or +30dBm

MEASUREMENT: 35.6 mWATTS @ 2442.00 MHz

15.247(c) Method of Measuring RF Power output:  
 The Peak power Sensor was connected in place of the antenna.



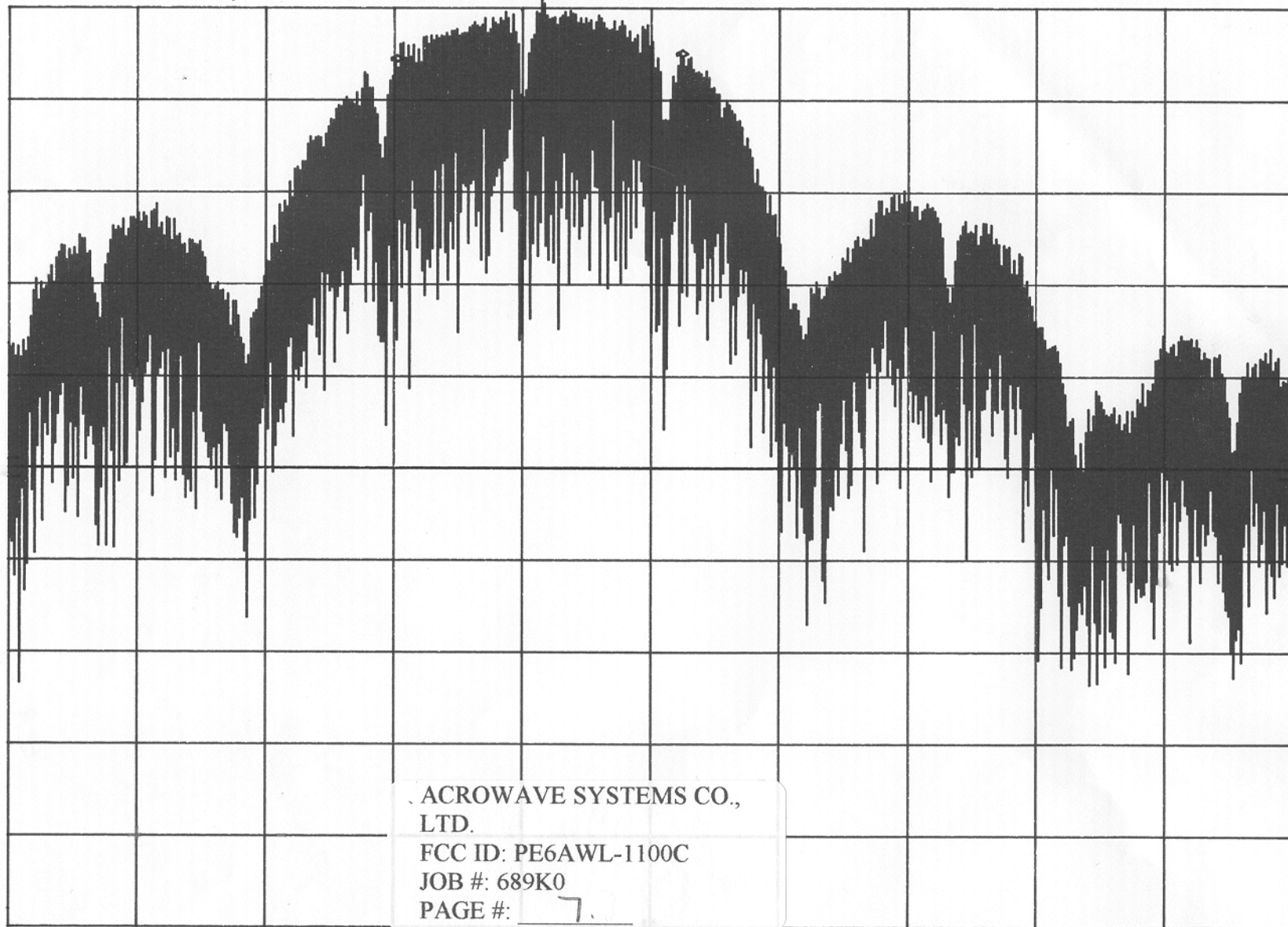
APPLICANT: ACROWAVE SYSTEMS CO., LTD.  
 FCCID: PE6AWL-1100C  
 REPORT #: T:\CUS\A\ACRO\689K0\689K0RPT.DOC  
 PAGE #: 6

MKR  $\Delta$ -11.10 MHz  
-0.60 dB

hp REF 97.0 dB $\mu$ V ATTEN 0 dB + 20 dB

10 dB/

DL  
47.0  
dB $\mu$ V



ACROWAVE SYSTEMS  
JOB #: 689U0  
FCCID: PE6AWL-1100C

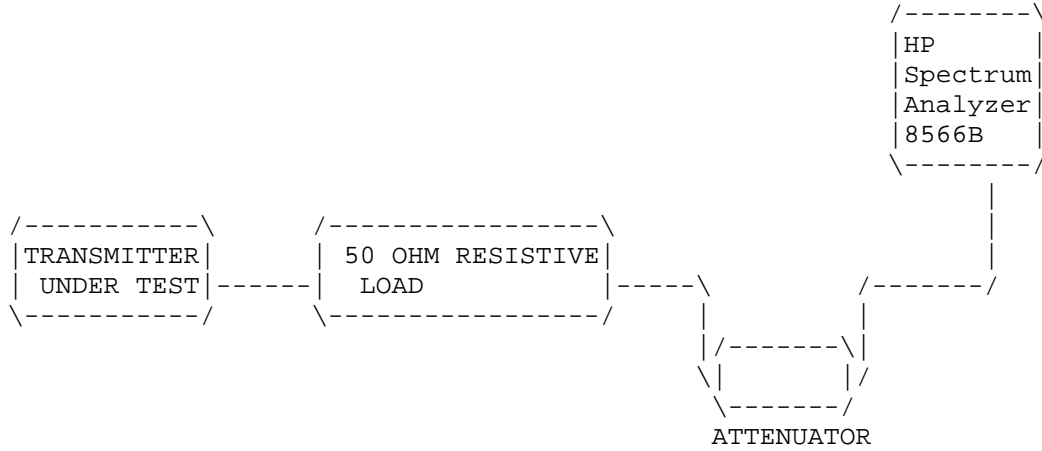
657A

ACROWAVE SYSTEMS CO.,  
LTD.  
FCC ID: PE6AWL-1100C  
JOB #: 689K0  
PAGE #: 7

CENTER 2.442 0 GHz  
RES BW 300 kHz (i) VBW 1 MHz

SPAN 50.0 MHz  
SWP 20.0 msec

15.247(c) Method of Measuring RF Conducted Spurious Emissions



NAME OF TEST: SPURIOUS EMISSIONS AT ANTENNA TERMINALS

REQUIREMENTS: Emissions must be at least 20dB down from the highest emission level within the authorized band as measured with a 1 MHz RBW.

EMISSION FREQUENCY MHz	dB BELOW CARRIER
2413.0	00.0
4824.0	55.2
7235.0	72.0
9648.0	66.0
2442.0	00.0
4884.0	57.9
7328.0	69.4
9772.0	68.4
2467.0	00.0
4934.0	47.5
7402.0	65.7
9868.0	66.4
14802.0	70.3

NOTE: THE SPECTRUM WAS SCANNED TO THE TENTH HARMONIC.

APPLICANT: ACROWAVE SYSTEMS CO., LTD.  
 FCCID: PE6AWL-1100C  
 REPORT #: T:\CUS\A\ACRO\689K0\689K0RPT.DOC  
 PAGE #: 8

15.247(c), 15.205 & 15.209(b) Field strength of spurious emissions:

REQUIREMENTS:

FIELD STRENGTH of Fundamental: 902-928MHz 2.4-2.4835GHz 127.38dBuV/m @3m 54dBuV/m	FIELD STRENGTH of Harmonics  54 dBuV/m @3m	S15.209 30 - 88 MHz 40 dBuV/m @3M 88 -216 MHz 43.5 216 -960 MHz 46 ABOVE 960 MHz
--	---	--

REQUIREMENTS: Emissions that fall in the restricted bands (15.205) must be less than 54dBuV/m otherwise the spurious and harmonics must be attenuated by at least 20dB.

TEST DATA:

EMISSION FREQUENCY MHz	METER READING @ 3m dBuV	COAX LOSS dB	ACF dB	FIELD STRENGTH dBuV/m	FCC. LIMIT dB	MARGIN dB	ANT.
------------------------------	-------------------------------	--------------------	-----------	-----------------------------	---------------------	--------------	------

Antenna Gain

Intentional Radiator Emissions

2412.00	67.50	1.09	29.03	97.62	127.38	29.76	V
4824.00R	4.30	1.45	33.93	39.68	54.00	14.32	V
7236.00R	0.50	1.82	36.64	38.96	54.00	15.04	V
9648.00	1.90	2.11	38.59	42.61	54.00	11.39	V
2442.00	66.50	1.10	29.10	96.70	127.38	30.68	V
4884.00R	5.80	1.46	33.99	41.26	54.00	12.74	V
9768.00	8.50	2.12	38.67	49.30	54.00	4.70	V
2467.00	67.00	1.10	29.17	97.27	127.38	30.11	V
4934.00R	4.00	1.47	34.05	39.52	54.00	14.48	V
9868.00	1.30	2.13	38.74	42.17	54.00	11.83	V

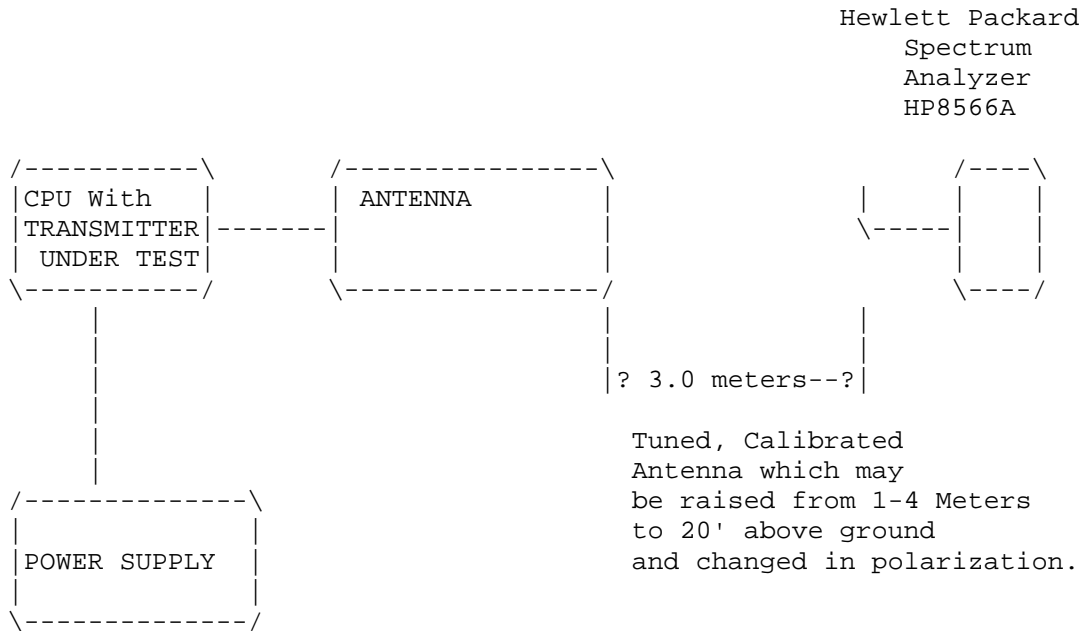
METHOD OF MEASUREMENT: The procedure used was ANSI STANDARD C63.4-1992 & the Guidance on Measurements for Direct Sequence Spread Spectrum Systems. Measurements were made at the open field test site of TIMCO ENGINEERING INC. located at 849 N.W. State Road, Newberry, FL 32669.

APPLICANT: ACROWAVE SYSTEMS CO., LTD.  
 FCCID: PE6AWL-1100C  
 REPORT #: T:\CUS\A\ACRO\689K0\689K0RPT.DOC  
 PAGE #: 9

2.993(a)(b)

2.993(a)(b) Continued Field\_strength\_of\_spurious\_emissions:

Method of Measuring Radiated Spurious Emissions



Equipment placed 80 cm above ground  
on a rotatable platform.

APPLICANT: ACROWAVE SYSTEMS CO., LTD.  
FCCID: PE6AWL-1100C  
REPORT #: T:\CUS\A\ACRO\689K0\689K0RPT.DOC  
PAGE #: 10