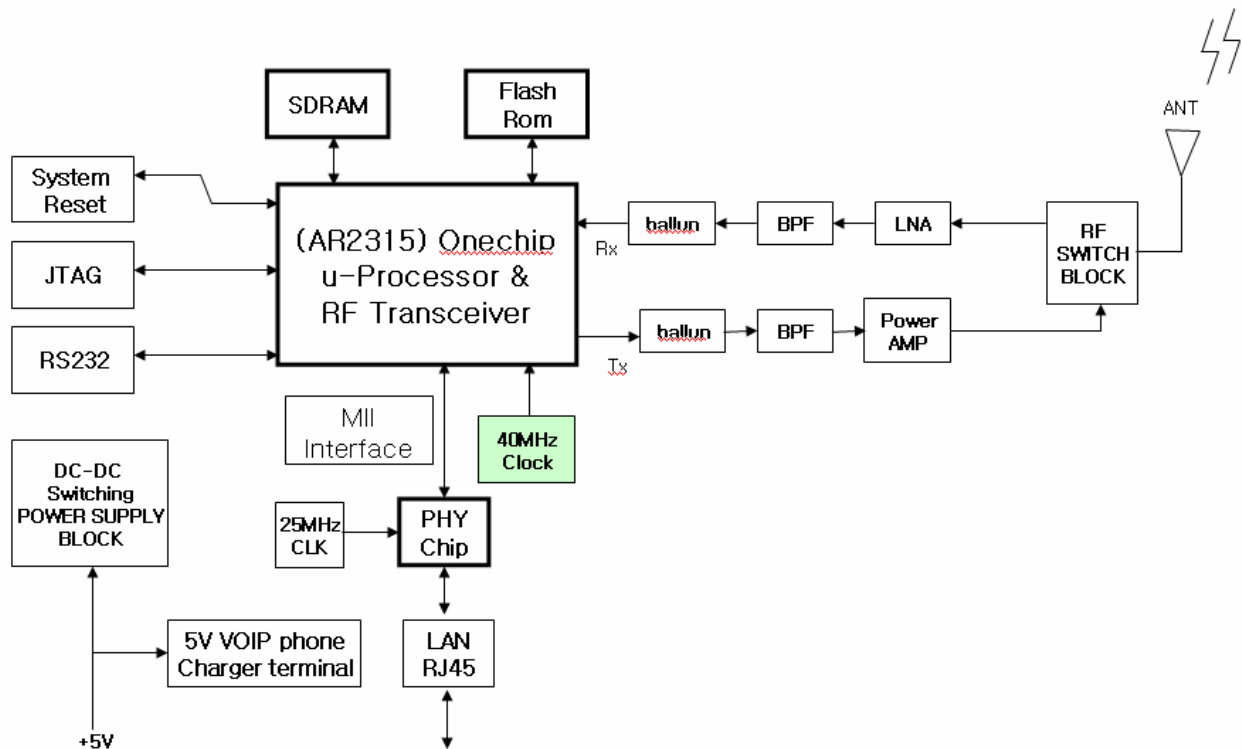


## Acrowave Systems –Cradle AP Circuit Description

CradleAP 2.4Ghz Access Point Block Diagram



The AVP-2000B (Cradle AP) uses RF to construct WLAN network. It is used as a charger between Access Point and AVP-2000B Acrowave Wi-Fi VoIP Phone. It is designed to use the ISM band(2.4 ~ 2.472GHz). The configuration of the hardware is as follows;

1. Power Components Blog:  
Supplied 5V by adapter, uses to charge handset by terminal and it can be seen on by LED.
2. Processor Blog:  
AR2315 processor is used and configure with RF, memory and LAN.
3. Memory Blog:  
Configuration of 32MByte and SDRAM 2MByte's serial FlashROM
4. RF Blog:  
Configuration of RF Blog's separate TX power amp and RX LNA, transmit exterior antenna of 1.5dBi.
5. LAN Blog:  
Uses MII interface and connects to PHY chip, LAN port supports AutoMDIX, therefore, supports both strait/Cross Cable.