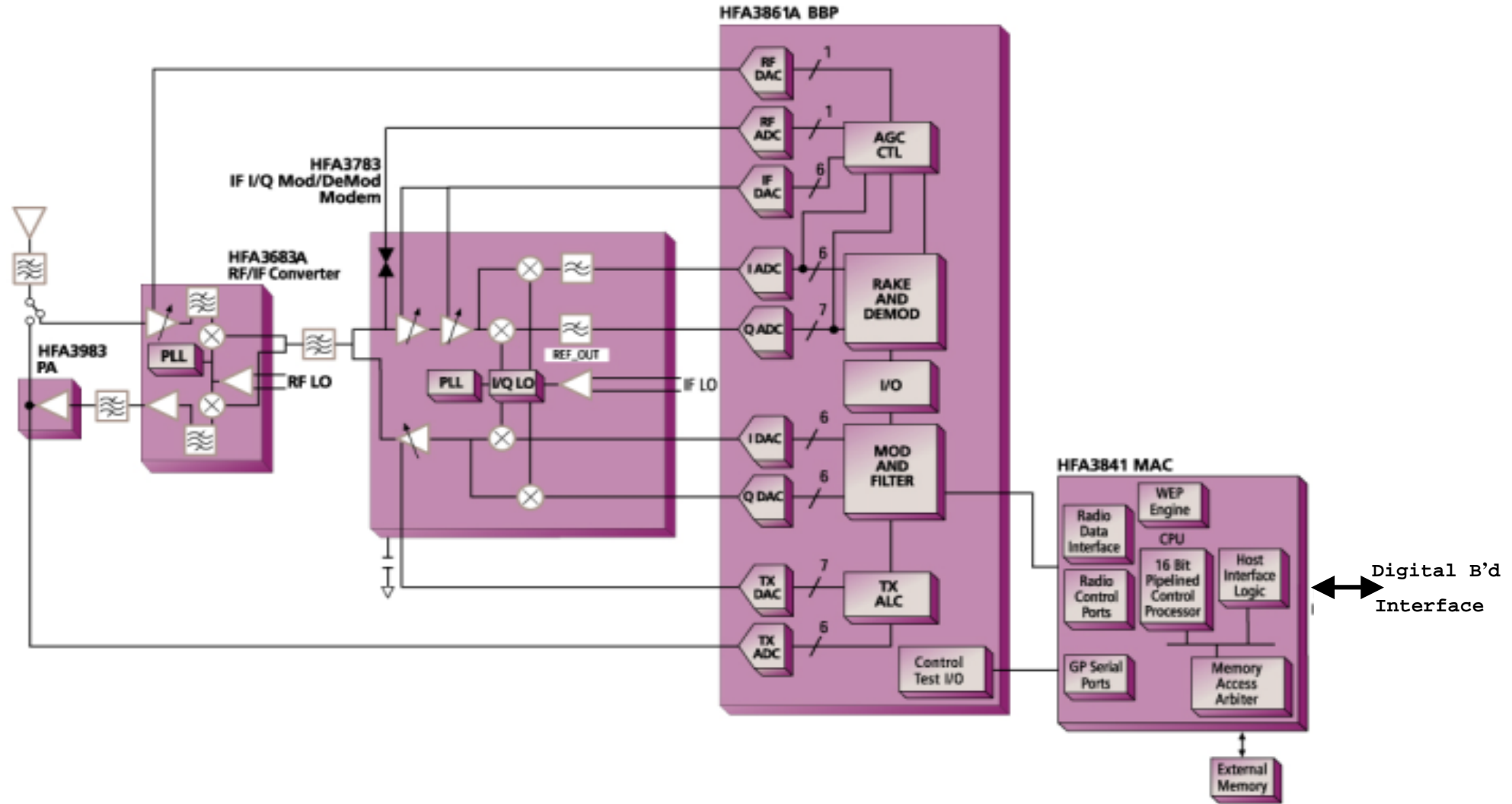


# 1. Blockdiagram of RF Board



## 2. Blockdiagram of Digital Board

