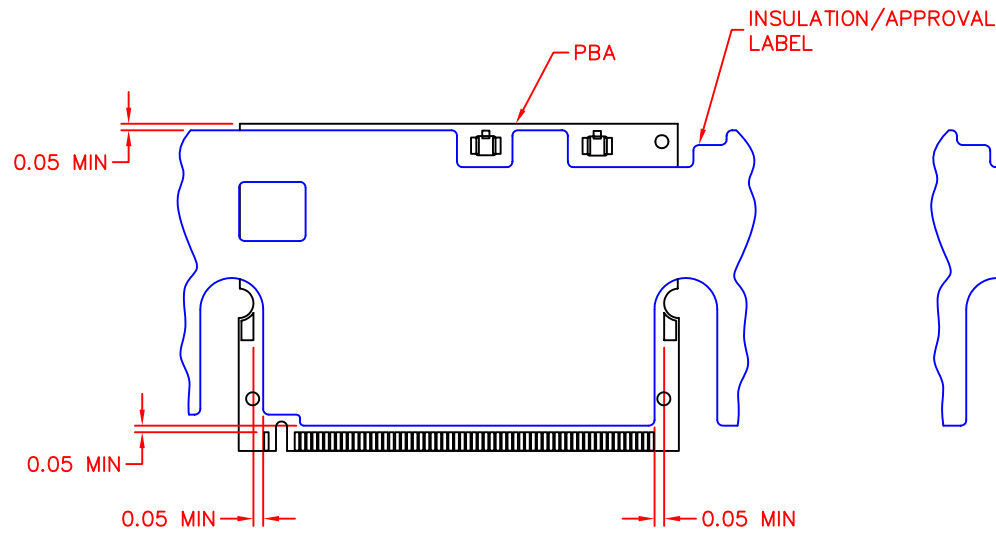
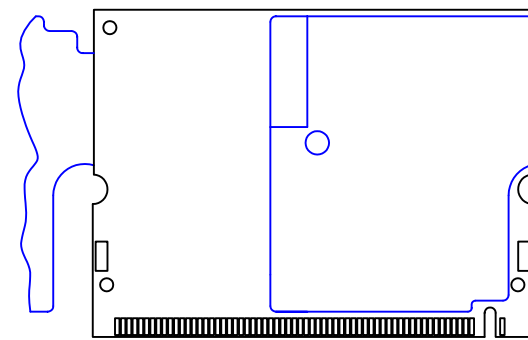


THIS DRAWING CONTAINS INTEL CORPORATION CONFIDENTIAL INFORMATION. IT IS DISCLOSED IN CONFIDENCE AND ITS CONTENTS MAY NOT BE DISCLOSED, REPRODUCED, DISPLAYED OR MODIFIED, WITHOUT THE PRIOR WRITTEN CONSENT OF INTEL CORPORATION.

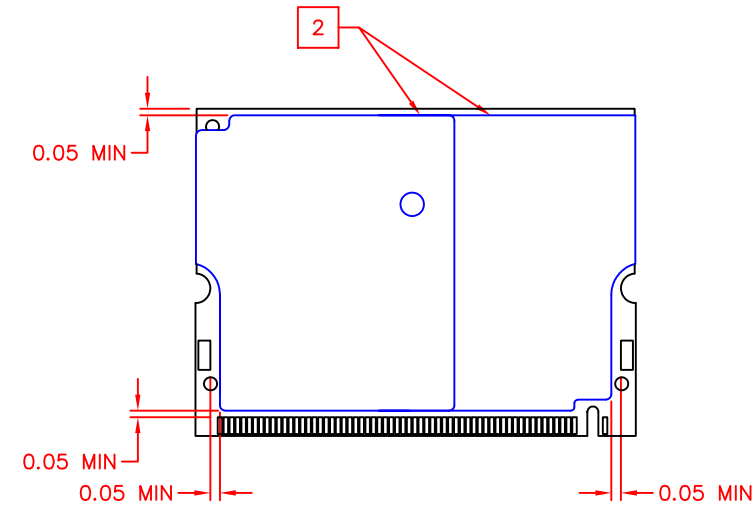
REVISION HISTORY				
REV	DESCRIPTION	DATE	INCP	APVD
01	INITIAL RELEASE	11/04/02	.	.
02	REVISED INSULATION SHAPE	12/24/02	.	.



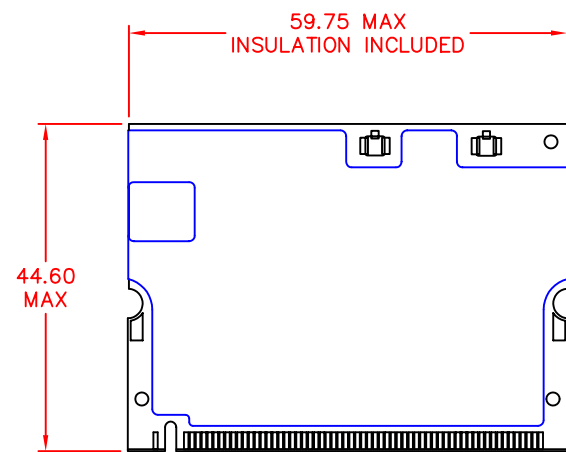
PRIMARY SIDE INSULATION PLACEMENT STEP 1



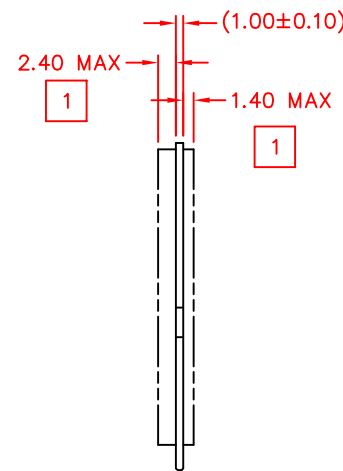
SECONDARY SIDE INSULATION PLACEMENT STEP 2



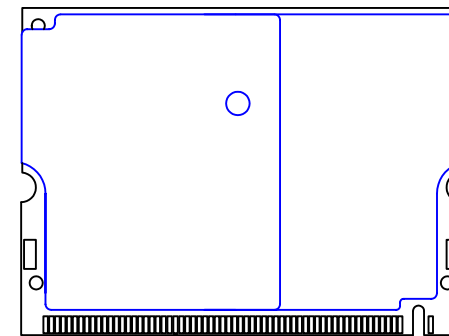
SECONDARY SIDE INSULATION PLACEMENT STEP 3



PRIMARY SIDE FINISHED ASSEMBLY



ALL VIEWS SIMPLIFIED FOR CLARITY



SECONDARY SIDE FINISHED ASSEMBLY

- 2 MISALIGNMENT IS ACCEPTABLE PROVIDING THE INSULATION WRAP IS NOT WRINKLED EXCESSIVELY. TEXT AND GRAPHICS MUST REMAIN LEGIBLE.
- 1 MAXIMUM HEIGHT INCLUDES INSULATION AND ADD-ON LABELS SUCH AS BAR CODE AND SPECIAL AGENCY APPROVALS.

NOTES: UNLESS OTHERWISE SPECIFIED

UNLESS OTHERWISE SPECIFIED: INTERPRET DIMENSIONS AND TOLERANCES IN ACCORDANCE WITH ASME Y14.5M-1994. DIMENSIONS ARE IN MILLIMETER [INCH REF]. TOLERANCES ARE: DECIMALS .X ±.25 [.010] .XX ±.13 [.005]		DRAWN V.NORMAN DES ENG	DATE 10/29/02
		CHECK R.PERRY MFG ENG	DATE 11/04/02
MATERIAL:		COMPL ENG	DATE
FINISH:			

TITLE	CARD ASSY, LABEL, CALEXICO DB, MPC13B	
SIZE	DRAWING NUMBER	REV
B	C2387301	02
SCALE: 1/1	DO NOT SCALE DRAWING	SHEET 1 OF 1

**intel** 2200 MISSION COLLEGE BLVD.  
P.O. BOX 58119  
SANTA CLARA, CA 95052-8119