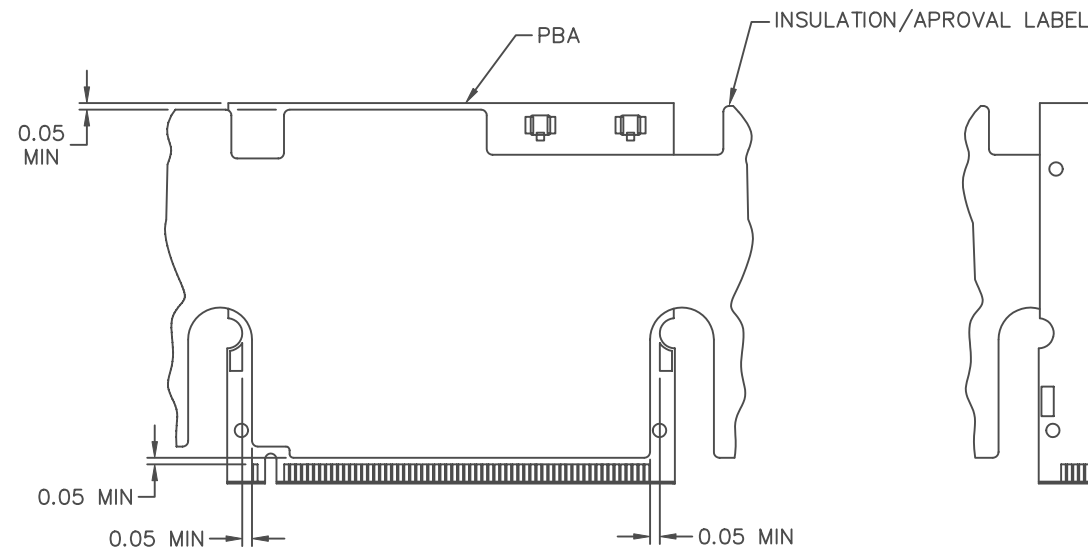
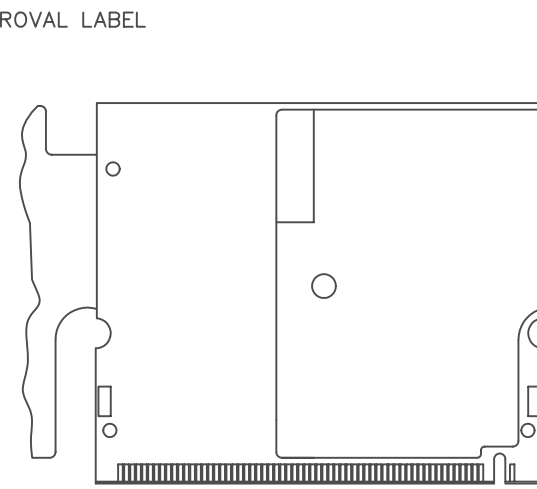


THIS DRAWING CONTAINS INTEL CORPORATION CONFIDENTIAL INFORMATION. IT IS DISCLOSED IN CONFIDENCE AND ITS CONTENTS MAY NOT BE DISCLOSED, REPRODUCED, DISPLAYED OR MODIFIED, WITHOUT THE PRIOR WRITTEN CONSENT OF INTEL CORPORATION.

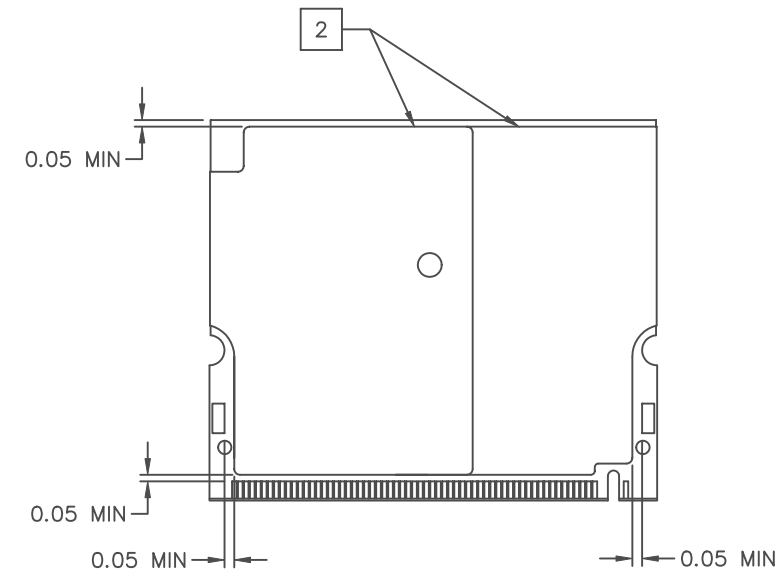
REVISION HISTORY				
REV	DESCRIPTION	DATE	INCORP	APVD
01	INITIAL RELEASE	10/30/02	.	.



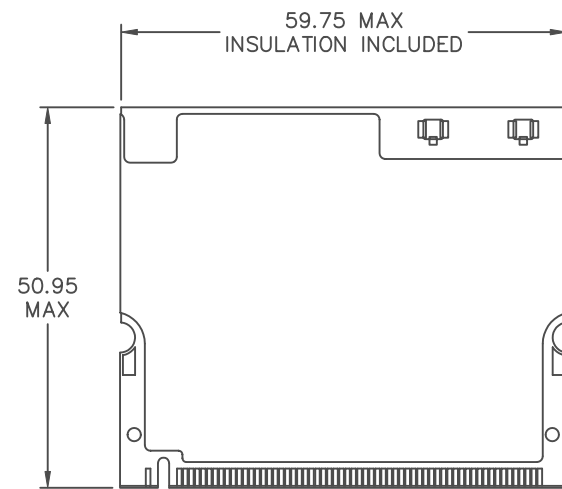
PRIMARY SIDE INSULATION PLACEMENT STEP 1



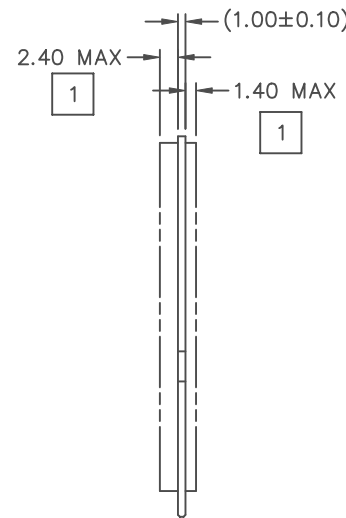
SECONDARY SIDE INSULATION PLACEMENT STEP 2



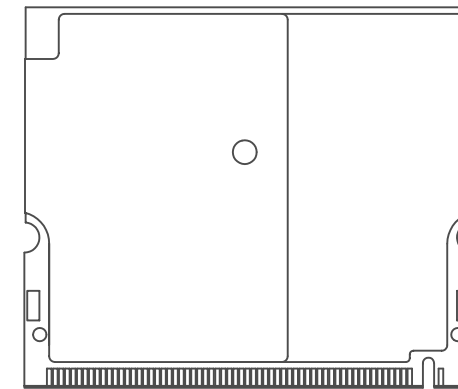
SECONDARY SIDE INSULATION PLACEMENT STEP 3



PRIMARY SIDE FINISHED ASSEMBLY



ALL VIEWS SIMPLIFIED FOR CLARITY



SECONDARY SIDE FINISHED ASSEMBLY

2 MISALIGNMENT IS ACCEPTABLE PROVIDING THE INSULATION WRAP IS NOT WRINKLED EXCESSIVELY. TEXT AND GRAPHICS MUST REMAIN LEGIBLE.

1 MAXIMUM HEIGHT INCLUDES INSULATION AND ADD-ON LABELS SUCH AS BAR CODE AND SPECIAL AGENCY APPROVALS.

NOTES: UNLESS OTHERWISE SPECIFIED

UNLESS OTHERWISE SPECIFIED:
 INTERPRET DIMENSIONS AND TOLERANCES IN ACCORDANCE WITH ASME Y14.5M-1994, DIMENSIONS ARE IN MILLIMETER [INCH REF].
 TOLERANCES ARE:
 DECIMALS ANGLES
 .X ±.25 [.010] ±1°
 .XX ±.13 [.005]

DRAWN V.NORMAN	DATE 10/29/02
DES ENG	DATE .
CHECK .	DATE .
MFG ENG K.BADILLO	DATE 10/30/02
COMPL ENG	DATE .

intel 2200 MISSION COLLEGE BLVD.
 P.O. BOX 58119
 SANTA CLARA, CA 95052-8119

TITLE
 CARD ASSY, LABEL,
 CALEXICO SB, MPC13A

SIZE B	DRAWING NUMBER C2382401	REV 01
-----------	----------------------------	-----------

SCALE: 1/1 DO NOT SCALE DRAWING SHEET 1 OF 1