

Test Laboratory: Compliance Certification Services

System Performance Check @ 2450 MHz

DUT: Dipole 2450 MHz; Type: D2450V2; Serial: D2450V2 - SN:706

Communication System: CW - 2450 MHz; Frequency: 2450 MHz; Duty Cycle: 1:1
 Medium parameters used: $f = 2450$ MHz; $\sigma = 1.98$ mho/m; $\epsilon_r = 53.9$; $\rho = 1000$ kg/m³
 Phantom section: Flat Section

Room Ambient Temperature: 22.0 deg. C; Liquid Temperature: 21.0 deg. C

DASY4 Configuration:

- Area Scan setting - Find Secondary Maximum Within: 2.0 dB and with peak SAR value greater than 0.0012W/kg
- Probe: EX3DV4 - SN3552; ConvF(7.08, 7.08, 7.08); Calibrated: 5/30/2006
- Sensor-Surface: 4mm (Mechanical Surface Detection)
- Electronics: DAE3 Sn427; Calibrated: 11/16/2006
- Phantom: SAM 2; Type: SAM 2; Serial: 1050
- Measurement SW: DASY4, V4.7 Build 53; Postprocessing SW: SEMCAD, V1.8 Build 172

d=10mm, Pin=250mW/Area Scan (7x7x1): Measurement grid: dx=15mm, dy=15mm

Maximum value of SAR (measured) = 14.3 mW/g

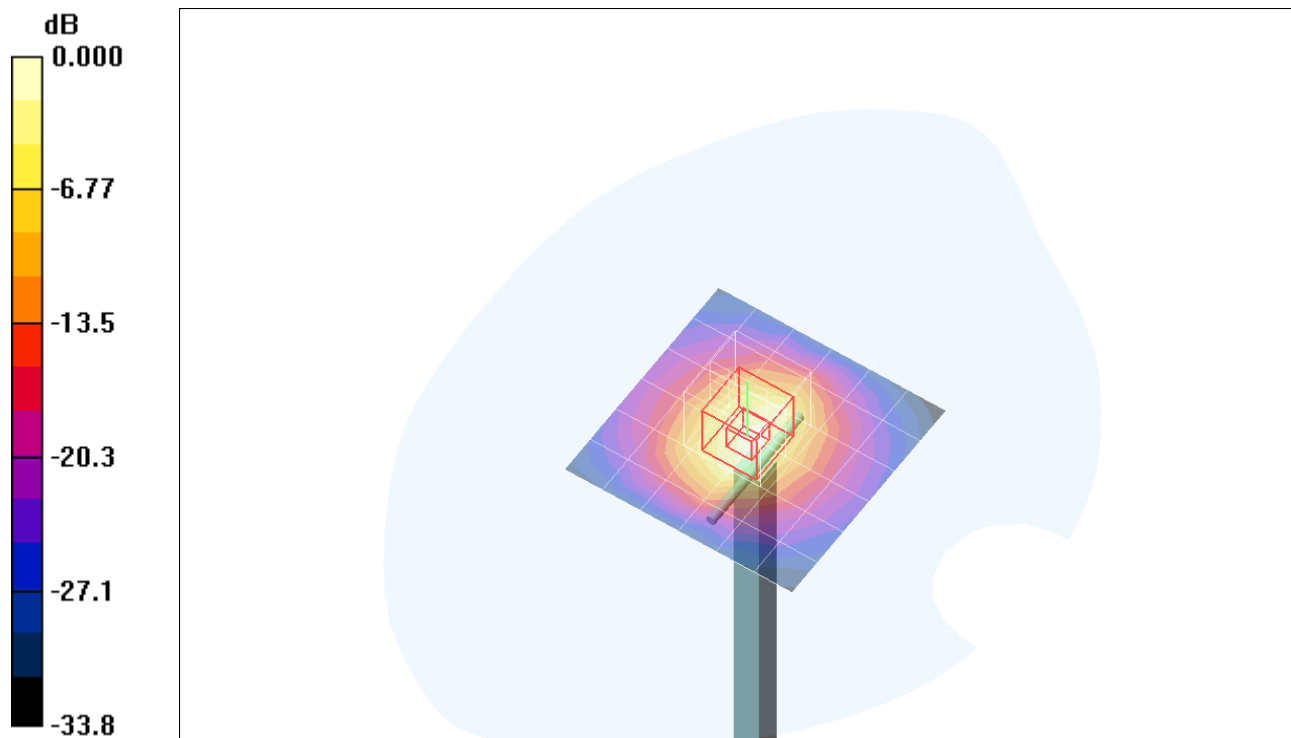
d=10mm, Pin=250mW/Zoom Scan (5x5x7)/Cube 0: Measurement grid: dx=7.5mm, dy=7.5mm, dz=5mm

Reference Value = 85.1 V/m; Power Drift = 0.168 dB

Peak SAR (extrapolated) = 27.4 W/kg

SAR(1 g) = 13.3 mW/g; SAR(10 g) = 6.05 mW/g

Maximum value of SAR (measured) = 15.3 mW/g



0 dB = 15.3mW/g

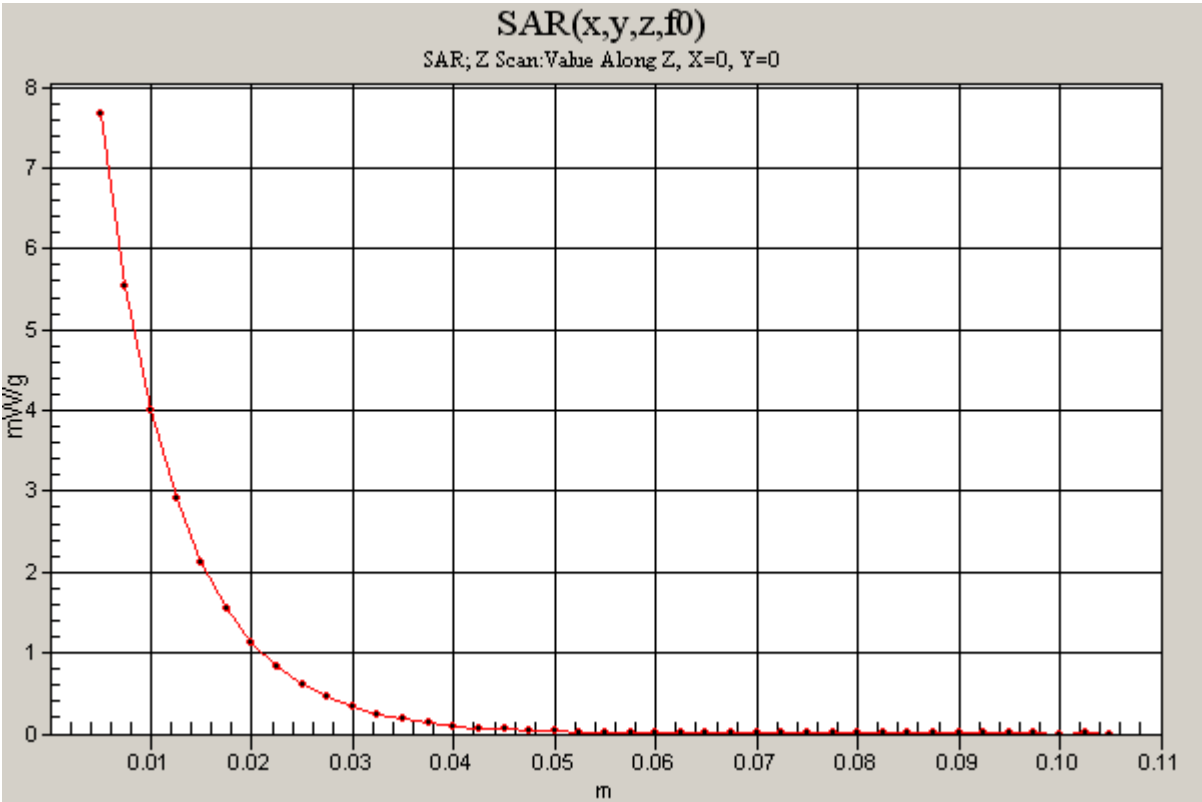
Test Laboratory: Compliance Certification Services

System Performance Check @ 2450 MHz

DUT: Dipole 2450 MHz; Type: D2450V2; Serial: D2450V2 - SN:706

Communication System: CW - 2450 MHz; Frequency: 2450 MHz;Duty Cycle: 1:1

d=10mm, Pin=250mW/Z Scan (1x1x41): Measurement grid: dx=20mm, dy=20mm, dz=2.5mm
Maximum value of SAR (measured) = 7.67 mW/g



Test Laboratory: Compliance Certification Services

SystemPerformanceCheck-D5GHz-uniform

DUT: Dipole 5200-5800MHz; Type: D5GHzV2;Serial: 1003

Communication System: 5200 - 5800MHz;Frequency: 5200 MHz;Duty Cycle: 1:1
Medium parameters used: $f = 5200$ MHz; $\sigma = 5.33$ mho/m; $\epsilon_r = 47.6$; $\rho = 1000$ kg/m³

Phantom section: Flat Section

Room AmbientTemperature: 22.0deg. C; Liquid Temperature: 21.0 deg. C

DASY4 Configuration:

- Area Scan setting - Find Secondary Maximum Within: 2.0 dB and with peak SAR value greater than 0.0012W/kg
- Probe: EX3DV4 - SN3552; ConvF(4.07, 4.07, 4.07); Calibrated: 5/30/2006
- Sensor-Surface: 2mm (Mechanical Surface Detection)
- Electronics: DAE3 Sn427; Calibrated: 11/16/2006
- Phantom: Flat Phantom ELI4.0; Type: QDOVA001BA; Serial: SN:1003
- Measurement SW: DASY4, V4.7 Build 53; Postprocessing SW: SEMCAD, V1.8 Build 172

d=10mm, Pin=250mW, f=5200 MHz/Area Scan (10x10x1): Measurement grid: dx=10mm, dy=10mm
Maximum value of SAR (measured) = 22.0 mW/g

d=10mm, Pin=250mW, f=5200 MHz/Zoom Scan (4.3x4.3x3mm), dist=2mm (8x8x8)/Cube

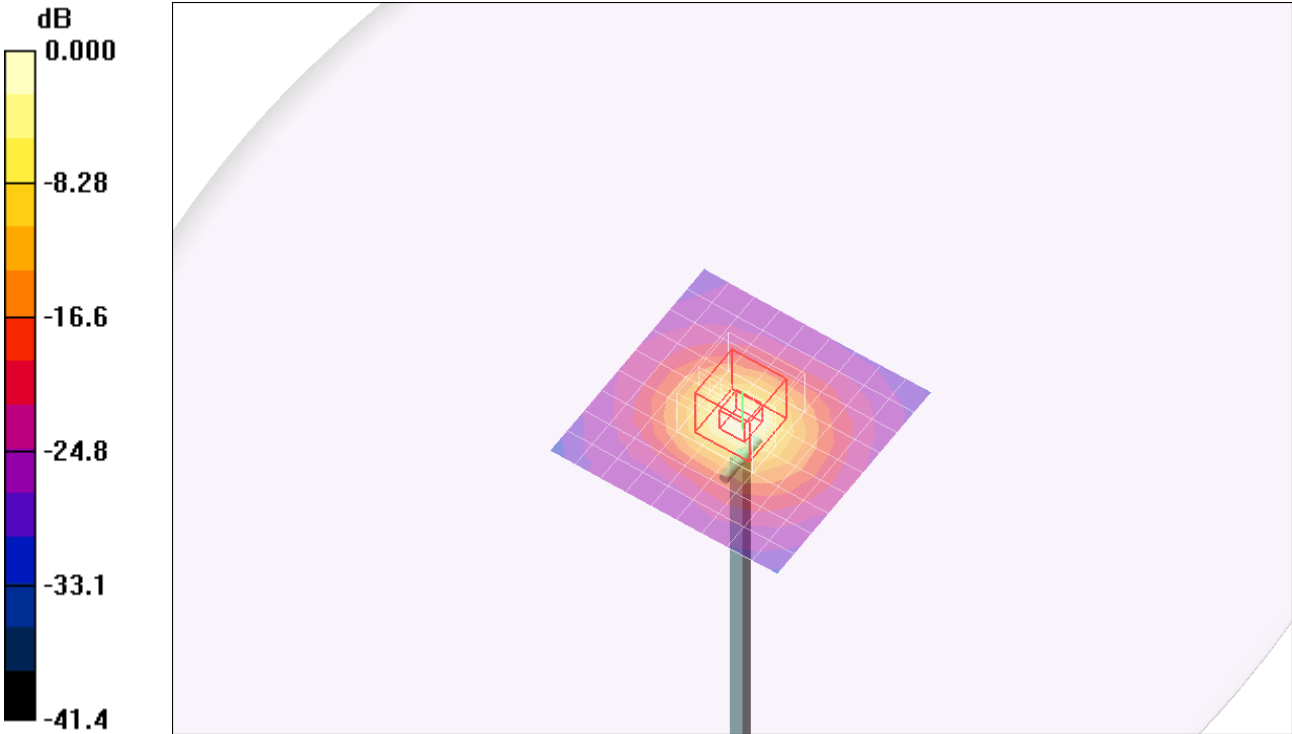
0: Measurement grid: dx=4.3mm, dy=4.3mm, dz=3mm

Reference Value = 91.6 V/m; Power Drift = -0.139 dB

Peak SAR (extrapolated) = 77.6 W/kg

SAR(1 g) = 18.5 mW/g; SAR(10 g) = 5.22 mW/g

Maximum value of SAR (measured) = 35.2 mW/g



0 dB = 35.2mW/g

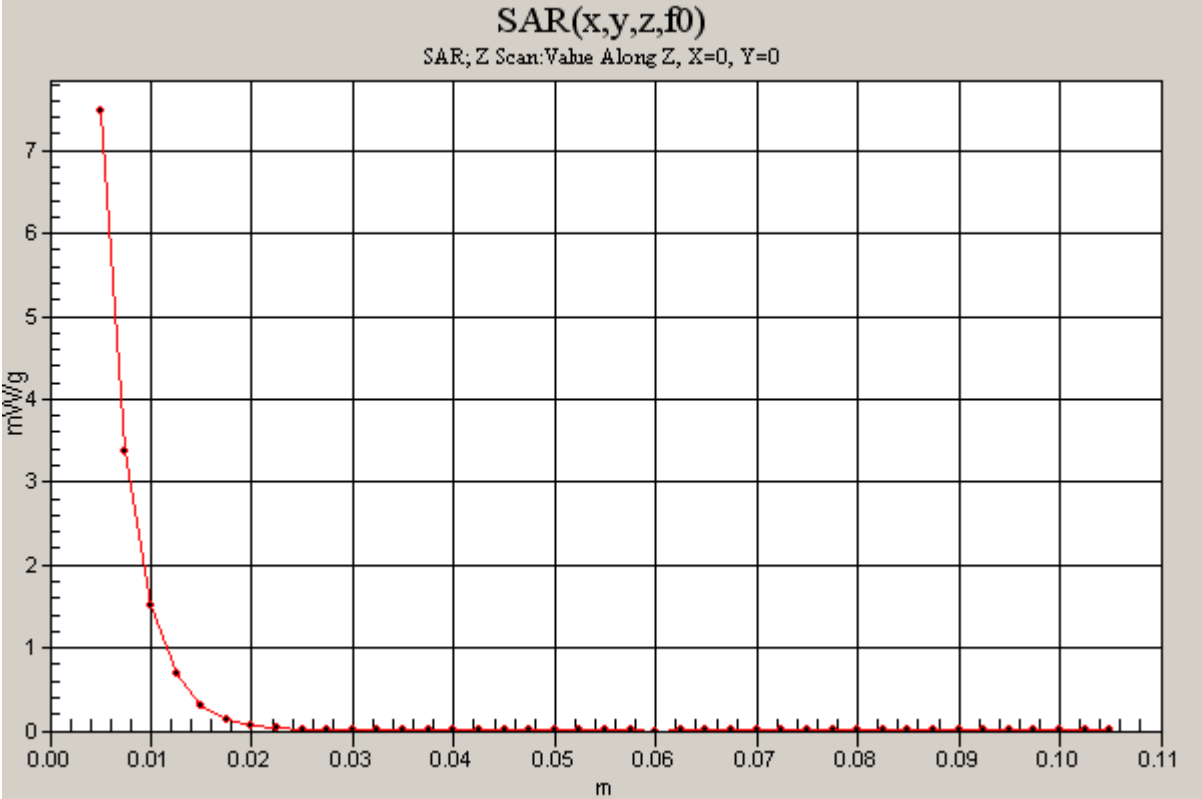
Test Laboratory: Compliance Certification Services

SystemPerformanceCheck-D5GHz-uniform

DUT: Dipole 5200-5800MHz; Type: D5GHzV2; Serial: 1003

Communication System: 5200 - 5800MHz; Frequency: 5200 MHz;Duty Cycle: 1:1

d=10mm, Pin=250mW, f=5200 MHz/Z Scan (1x1x41): Measurement grid: dx=20mm, dy=20mm, dz=2.5mm
Maximum value of SAR (measured) = 7.48 mW/g



Test Laboratory: Compliance Certification Services

SystemPerformanceCheck-D5GHz-uniform

DUT: Dipole 5200-5800MHz; Type: D5GHzV2;Serial: 1003

Communication System: 5200 - 5800MHz;Frequency: 5200 MHz;Duty Cycle: 1:1
 Medium parameters used: $f = 5200$ MHz; $\sigma = 5.27$ mho/m; $\epsilon_r = 46.3$; $\rho = 1000$ kg/m³
 Phantom section: Flat Section

Room AmbientTemperature: 23.0deg. C; Liquid Temperature: 22.0 deg. C

DASY4 Configuration:

- Area Scan setting - Find Secondary Maximum Within: 2.0 dB and with peak SAR value greater than 0.0012W/kg
- Probe: EX3DV4 - SN3552; ConvF(4.07, 4.07, 4.07); Calibrated: 5/30/2006
- Sensor-Surface: 2mm (Mechanical Surface Detection)
- Electronics: DAE3 Sn427; Calibrated: 11/16/2006
- Phantom: Flat Phantom ELI4.0; Type: QDOVA001BA; Serial: SN:1003
- Measurement SW: DASY4, V4.7 Build 53; Postprocessing SW: SEMCAD, V1.8 Build 172

d=10mm, Pin=250mW, f=5200 MHz/Area Scan (10x10x1): Measurement grid: dx=10mm, dy=10mm

Maximum value of SAR (measured) = 24.5 mW/g

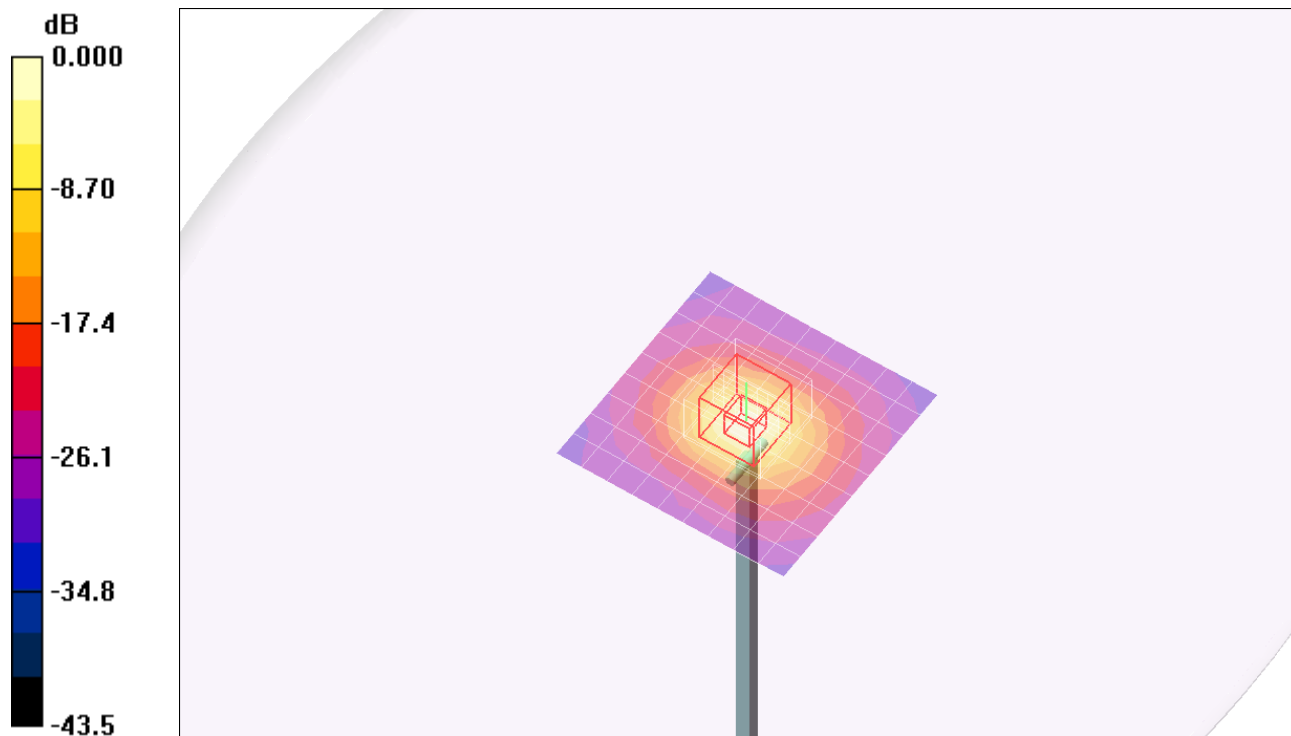
d=10mm, Pin=250mW, f=5200 MHz/Zoom Scan (4.3x4.3x3mm), dist=2mm (8x8x8)/Cube**0:** Measurement grid: dx=4.3mm, dy=4.3mm, dz=3mm

Reference Value = 91.7 V/m; Power Drift = -0.137 dB

Peak SAR (extrapolated) = 81.2 W/kg

SAR(1 g) = 18.9 mW/g; SAR(10 g) = 5.31 mW/g

Maximum value of SAR (measured) = 37.1 mW/g



0 dB = 37.1mW/g

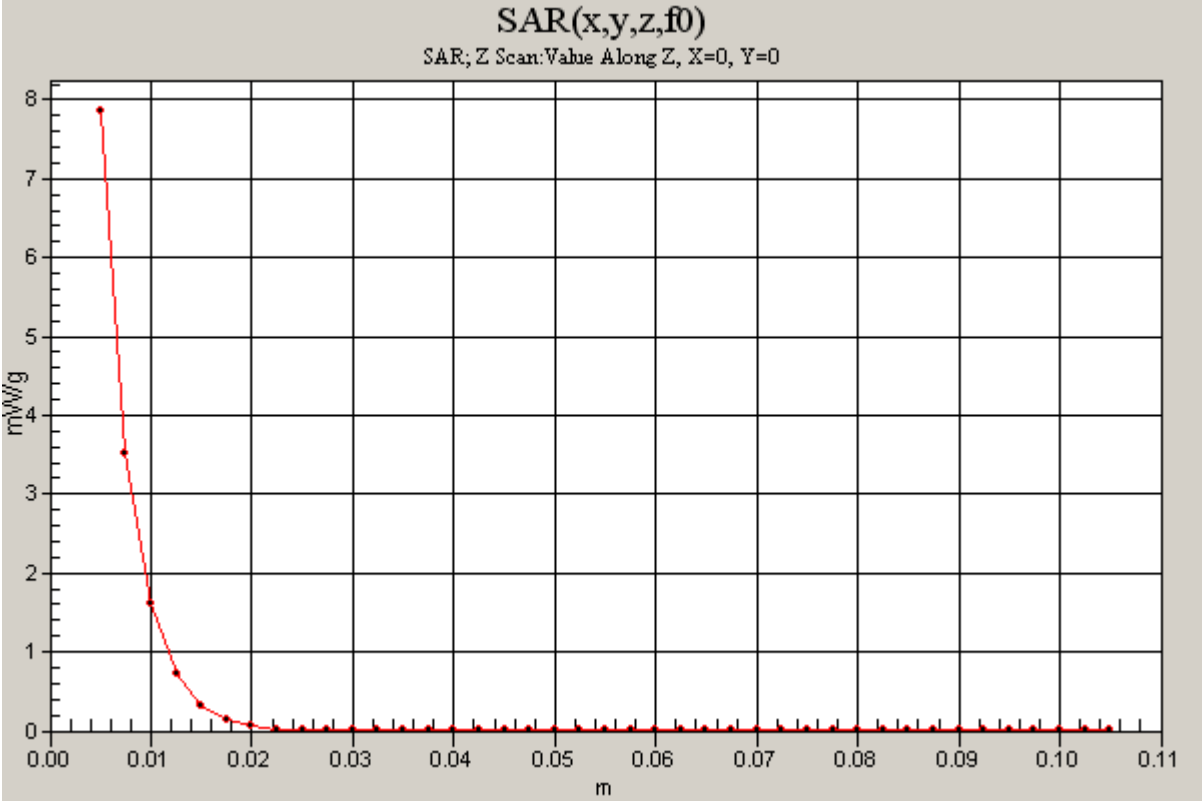
Test Laboratory: Compliance Certification Services

SystemPerformanceCheck-D5GHz-uniform

DUT: Dipole 5200-5800MHz; Type: D5GHzV2; Serial: 1003

Communication System: 5200 - 5800MHz; Frequency: 5200 MHz;Duty Cycle: 1:1

d=10mm, Pin=250mW, f=5200 MHz/Z Scan (1x1x41): Measurement grid: dx=20mm, dy=20mm, dz=2.5mm
Maximum value of SAR (measured) = 7.86 mW/g



Test Laboratory: Compliance Certification Services

SystemPerformanceCheck-D5GHz-uniform

DUT: Dipole 5200-5800MHz; Type: D5GHzV2;Serial: 1003

Communication System: 5200 - 5800MHz;Frequency: 5200 MHz;Duty Cycle: 1:1
Medium parameters used: $f = 5200$ MHz; $\sigma = 5.36$ mho/m; $\epsilon_r = 50.7$; $\rho = 1000$ kg/m³
Phantom section: Flat Section

Room AmbientTemperature: 23.0deg. C; Liquid Temperature: 22.0 deg. C

DASY4 Configuration:

- Area Scan setting - Find Secondary Maximum Within: 2.0 dB and witha peak SAR value greater than 0.0012W/kg
- Probe: EX3DV4 - SN3552; ConvF(4.07, 4.07, 4.07); Calibrated: 5/30/2006
- Sensor-Surface: 2mm (Mechanical Surface Detection)
- Electronics: DAE3 Sn427; Calibrated: 11/16/2006
- Phantom: Flat Phantom ELI4.0; Type: QDOVA001BA; Serial: SN:1003
- Measurement SW: DASY4, V4.7 Build 53; Postprocessing SW: SEMCAD, V1.8 Build 172

d=10mm, Pin=250mW, f=5200 MHz/Area Scan (10x10x1): Measurement grid: dx=10mm, dy=10mm
Maximum value of SAR (measured) = 24.7 mW/g

d=10mm, Pin=250mW, f=5200 MHz/Zoom Scan (4.3x4.3x3mm), dist=2mm (8x8x8)/Cube

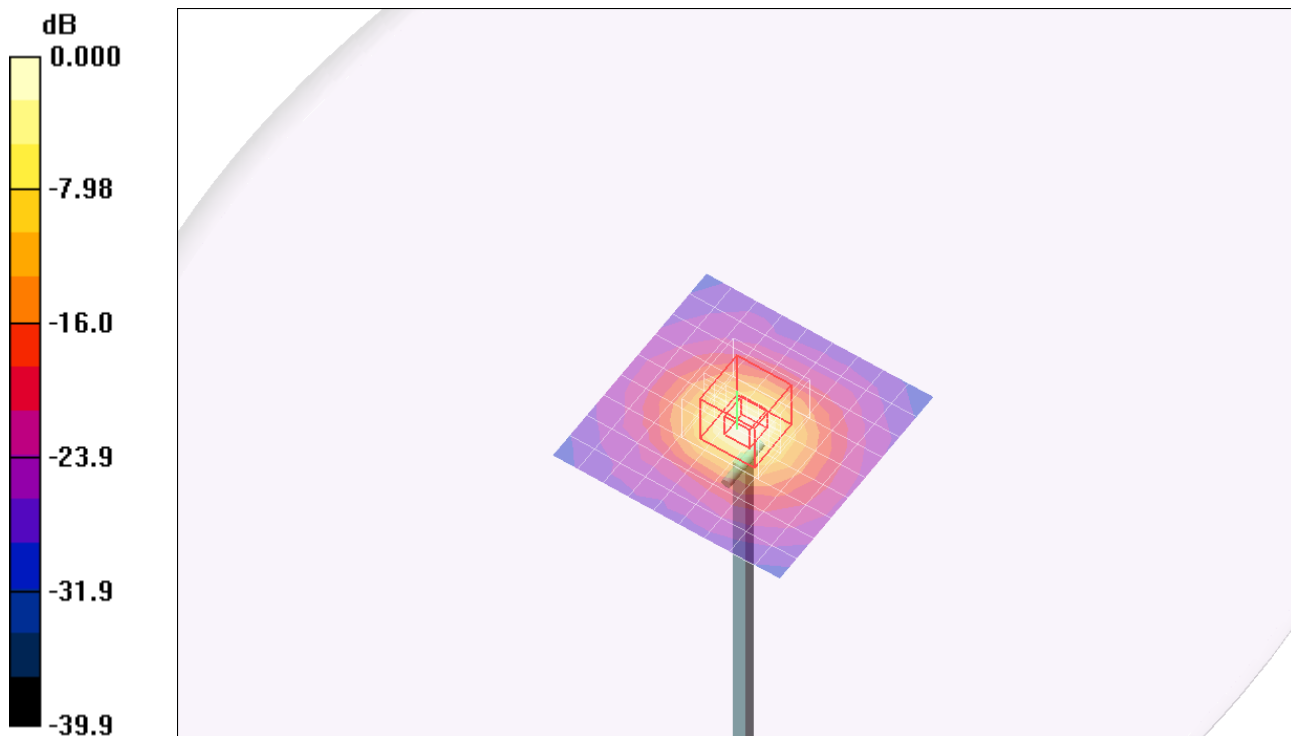
0: Measurement grid: dx=4.3mm, dy=4.3mm, dz=3mm

Reference Value = 92.6 V/m; Power Drift = -0.162 dB

Peak SAR (extrapolated) = 82.7 W/kg

SAR(1 g) = 19.6 mW/g; SAR(10 g) = 5.47 mW/g

Maximum value of SAR (measured) = 38.3 mW/g



0 dB = 38.3mW/g

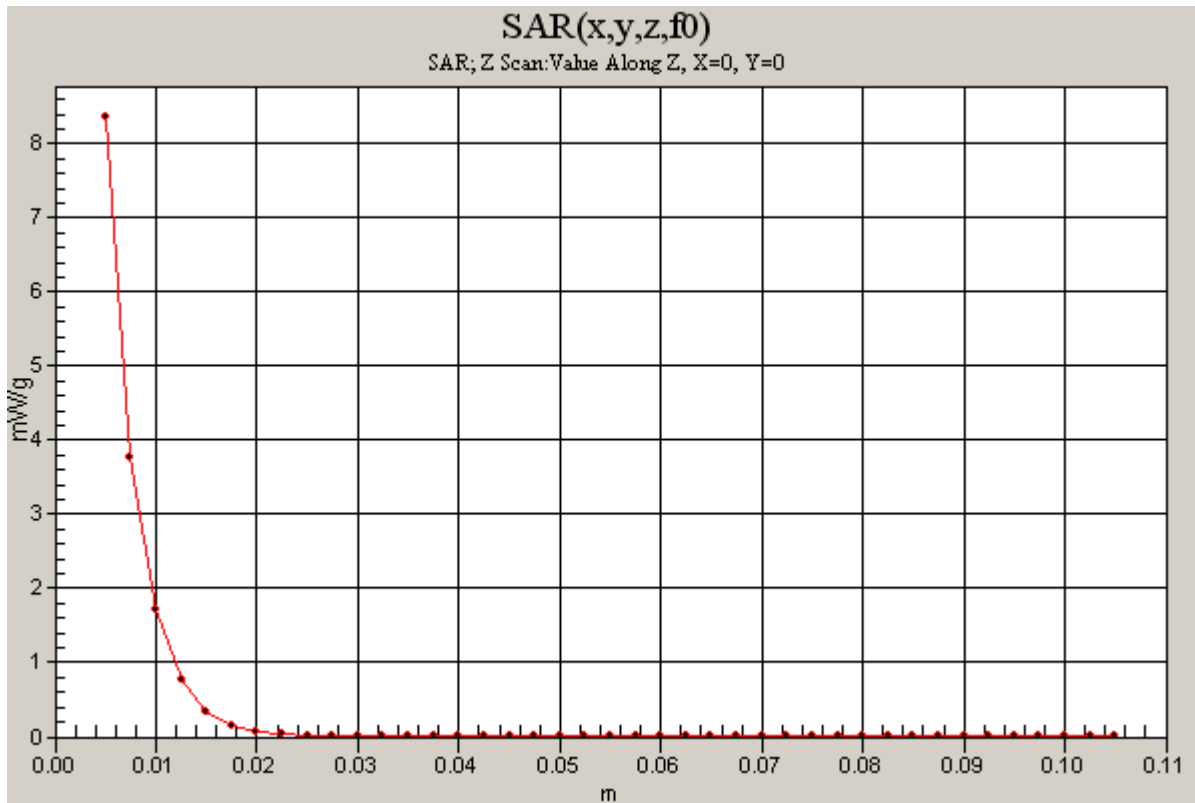
Test Laboratory: Compliance Certification Services

SystemPerformanceCheck-D5GHz-uniform

DUT: Dipole 5200-5800MHz; Type: D5GHzV2; Serial: 1003

Communication System: 5200 - 5800MHz; Frequency: 5200 MHz;Duty Cycle: 1:1

d=10mm, Pin=250mW, f=5200 MHz/Z Scan (1x1x41): Measurement grid: dx=20mm, dy=20mm, dz=2.5mm
Maximum value of SAR (measured) = 8.36 mW/g



Test Laboratory: Compliance Certification Services

SystemPerformanceCheck-D5GHz-uniform

DUT: Dipole 5200-5800MHz; Type: D5GHzV2;Serial: 1003

Communication System: 5200 - 5800MHz;Frequency: 5800 MHz;Duty Cycle: 1:1
Medium parameters used: $f = 5800$ MHz; $\sigma = 6.11$ mho/m; $\epsilon_r = 45.8$; $\rho = 1000$ kg/m³

Phantom section: Flat Section

Room AmbientTemperature: 23.0deg. C; Liquid Temperature: 22.0 deg. C

DASY4 Configuration:

- Area Scan setting - Find Secondary Maximum Within: 2.0 dB and with peak SAR value greater than 0.0012W/kg
- Probe: EX3DV4 - SN3552; ConvF(3.76, 3.76, 3.76); Calibrated: 5/30/2006
- Sensor-Surface: 2mm (Mechanical Surface Detection)
- Electronics: DAE3 Sn427; Calibrated: 11/16/2006
- Phantom: Flat Phantom ELI4.0; Type: QDOVA001BA; Serial: SN:1003
- Measurement SW: DASY4, V4.7 Build 53; Postprocessing SW: SEMCAD, V1.8 Build 172

d=10mm, Pin=250mW, f=5800 MHz/Area Scan (10x10x1): Measurement grid: dx=10mm, dy=10mm
Maximum value of SAR (measured) = 24.1 mW/g

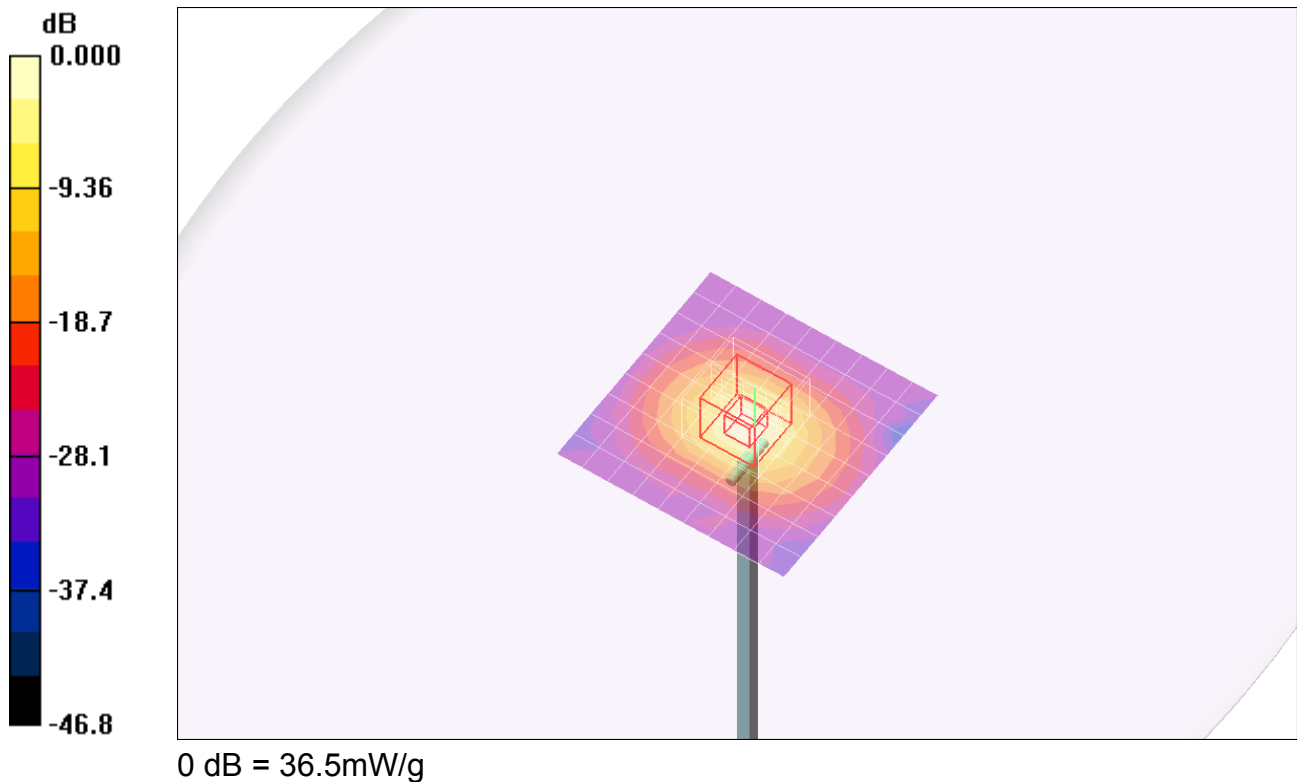
d=10mm, Pin=250mW, f=5800 MHz/Zoom Scan (8x8x8)/Cube 0: Measurement grid: dx=4.3mm, dy=4.3mm, dz=3mm

Reference Value = 84.6 V/m; Power Drift = -0.134 dB

Peak SAR (extrapolated) = 90.6 W/kg

SAR(1 g) = 18.4 mW/g; SAR(10 g) = 5.12 mW/g

Maximum value of SAR (measured) = 36.5 mW/g



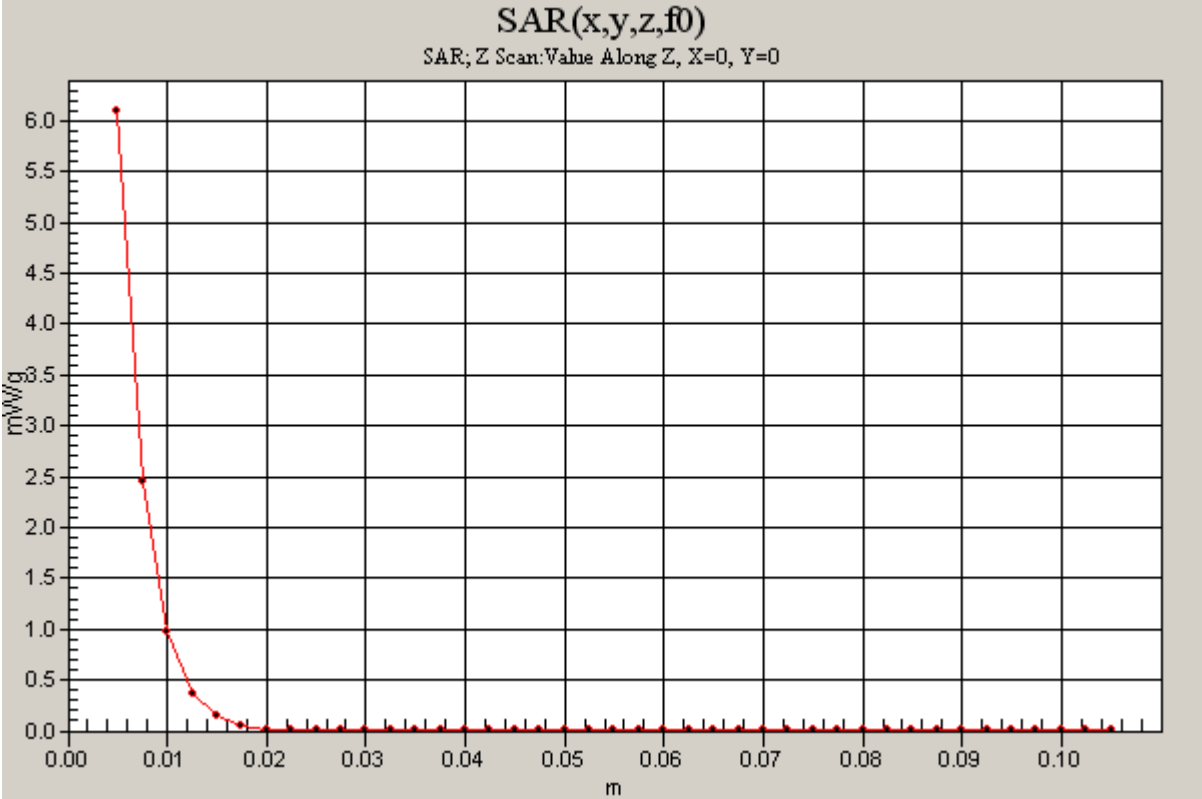
Test Laboratory: Compliance Certification Services

SystemPerformanceCheck-D5GHz-uniform

DUT: Dipole 5200-5800MHz; Type: D5GHzV2; Serial: 1003

Communication System: 5200 - 5800MHz; Frequency: 5800 MHz;Duty Cycle: 1:1

d=10mm, Pin=250mW, f=5800 MHz/Z Scan (1x1x41): Measurement grid: dx=20mm, dy=20mm, dz=2.5mm
Maximum value of SAR (measured) = 6.10 mW/g



Test Laboratory: Compliance Certification Services

SystemPerformanceCheck-D5GHz-uniform

DUT: Dipole 5200-5800MHz; Type: D5GHzV2;Serial: 1003

Communication System: 5200 - 5800MHz;Frequency: 5800 MHz;Duty Cycle: 1:1
Medium parameters used: $f = 5800$ MHz; $\sigma = 6.17$ mho/m; $\epsilon_r = 44.1$; $\rho = 1000$ kg/m³

Phantom section: Flat Section

Room AmbientTemperature: 23.0deg. C; Liquid Temperature: 22.0 deg. C

DASY4 Configuration:

- Area Scan setting - Find Secondary Maximum Within: 2.0 dB and with peak SAR value greater than 0.0012W/kg
- Probe: EX3DV4 - SN3552; ConvF(3.76, 3.76, 3.76); Calibrated: 5/30/2006
- Sensor-Surface: 2mm (Mechanical Surface Detection)
- Electronics: DAE3 Sn427; Calibrated: 11/16/2006
- Phantom: Flat Phantom ELI4.0; Type: QDOVA001BA; Serial: SN:1003
- Measurement SW: DASY4, V4.7 Build 53; Postprocessing SW: SEMCAD, V1.8 Build 172

d=10mm, Pin=250mW, f=5800 MHz/Area Scan (10x10x1): Measurement grid: dx=10mm, dy=10mm
Maximum value of SAR (measured) = 24.1 mW/g

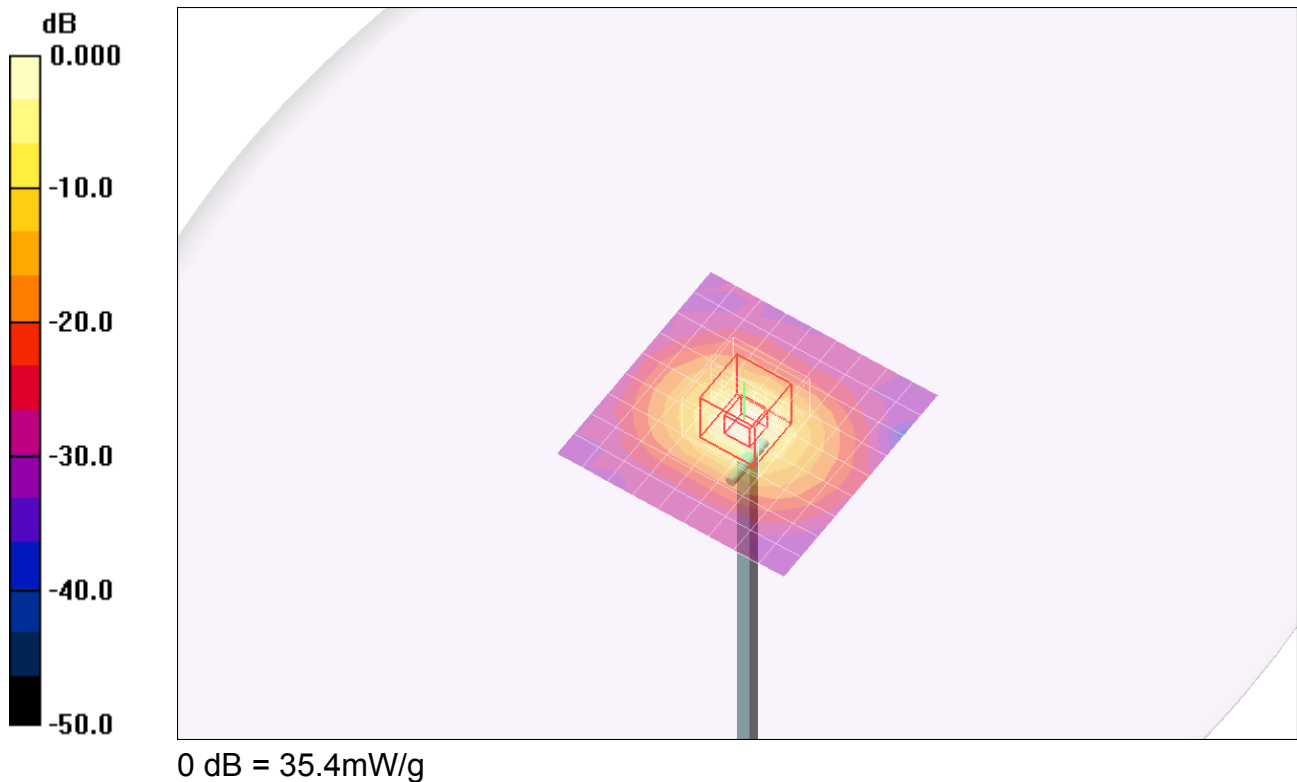
d=10mm, Pin=250mW, f=5800 MHz/Zoom Scan (8x8x8)/Cube 0: Measurement grid: dx=4.3mm, dy=4.3mm, dz=3mm

Reference Value = 84.6 V/m; Power Drift = 0.020 dB

Peak SAR (extrapolated) = 88.8 W/kg

SAR(1 g) = 18.1 mW/g; SAR(10 g) = 5.02 mW/g

Maximum value of SAR (measured) = 35.4 mW/g



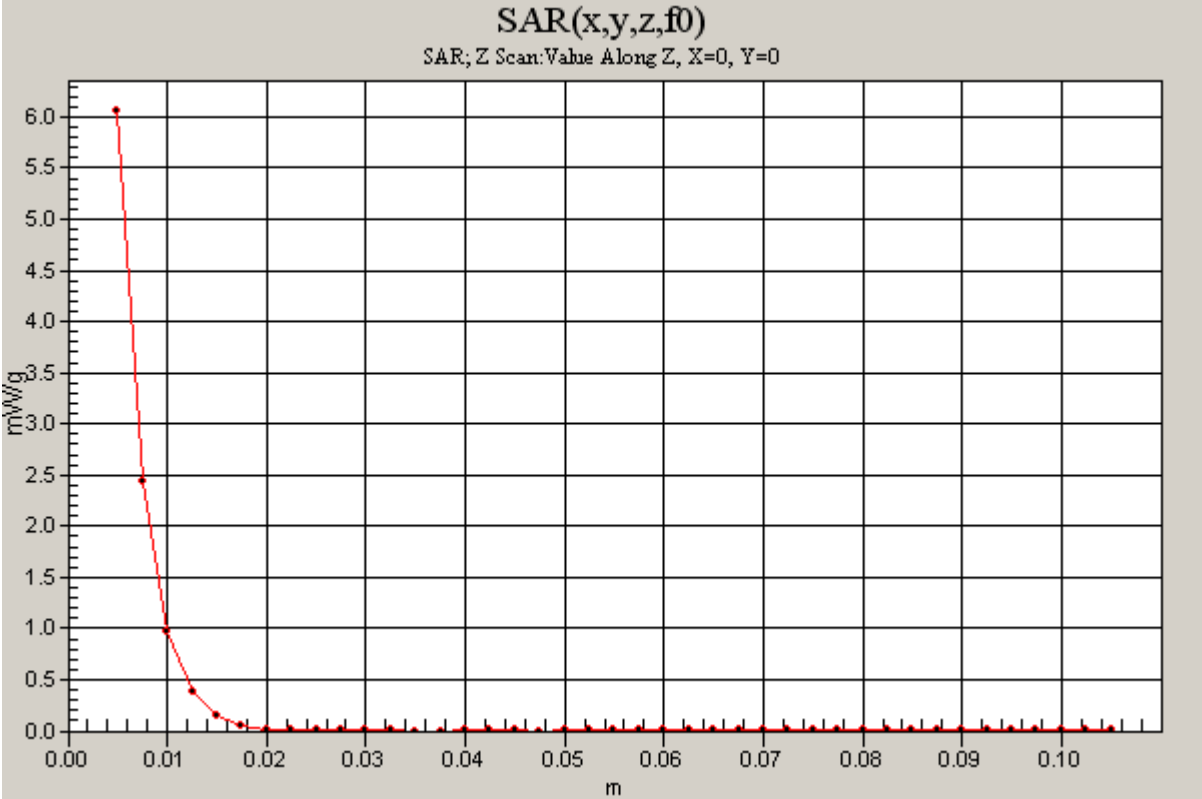
Test Laboratory: Compliance Certification Services

SystemPerformanceCheck-D5GHz-uniform

DUT: Dipole 5200-5800MHz; Type: D5GHzV2; Serial: 1003

Communication System: 5200 - 5800MHz; Frequency: 5800 MHz;Duty Cycle: 1:1

d=10mm, Pin=250mW, f=5800 MHz/Z Scan (1x1x41): Measurement grid: dx=20mm, dy=20mm, dz=2.5mm
Maximum value of SAR (measured) = 6.06 mW/g



Test Laboratory: Compliance Certification Services

SystemPerformanceCheck-D5GHz-uniform

DUT: Dipole 5200-5800MHz; Type: D5GHzV2;Serial: 1003

Communication System: 5200 - 5800MHz;Frequency: 5800 MHz;Duty Cycle: 1:1
Medium parameters used: $f = 5800$ MHz; $\sigma = 6.14$ mho/m; $\epsilon_r = 45.2$; $\rho = 1000$ kg/m³

Phantom section: Flat Section

Room AmbientTemperature: 23.0deg. C; Liquid Temperature: 22.0 deg. C

DASY4 Configuration:

- Area Scan setting - Find Secondary Maximum Within: 2.0 dB and with peak SAR value greater than 0.0012W/kg
- Probe: EX3DV4 - SN3552; ConvF(3.76, 3.76, 3.76); Calibrated: 5/30/2006
- Sensor-Surface: 2mm (Mechanical Surface Detection)
- Electronics: DAE3 Sn427; Calibrated: 11/16/2006
- Phantom: Flat Phantom ELI4.0; Type: QDOVA001BA; Serial: SN:1003
- Measurement SW: DASY4, V4.7 Build 53; Postprocessing SW: SEMCAD, V1.8 Build 172

d=10mm, Pin=250mW, f=5800 MHz/Area Scan (10x10x1): Measurement grid: dx=10mm, dy=10mm
Maximum value of SAR (measured) = 25.3 mW/g

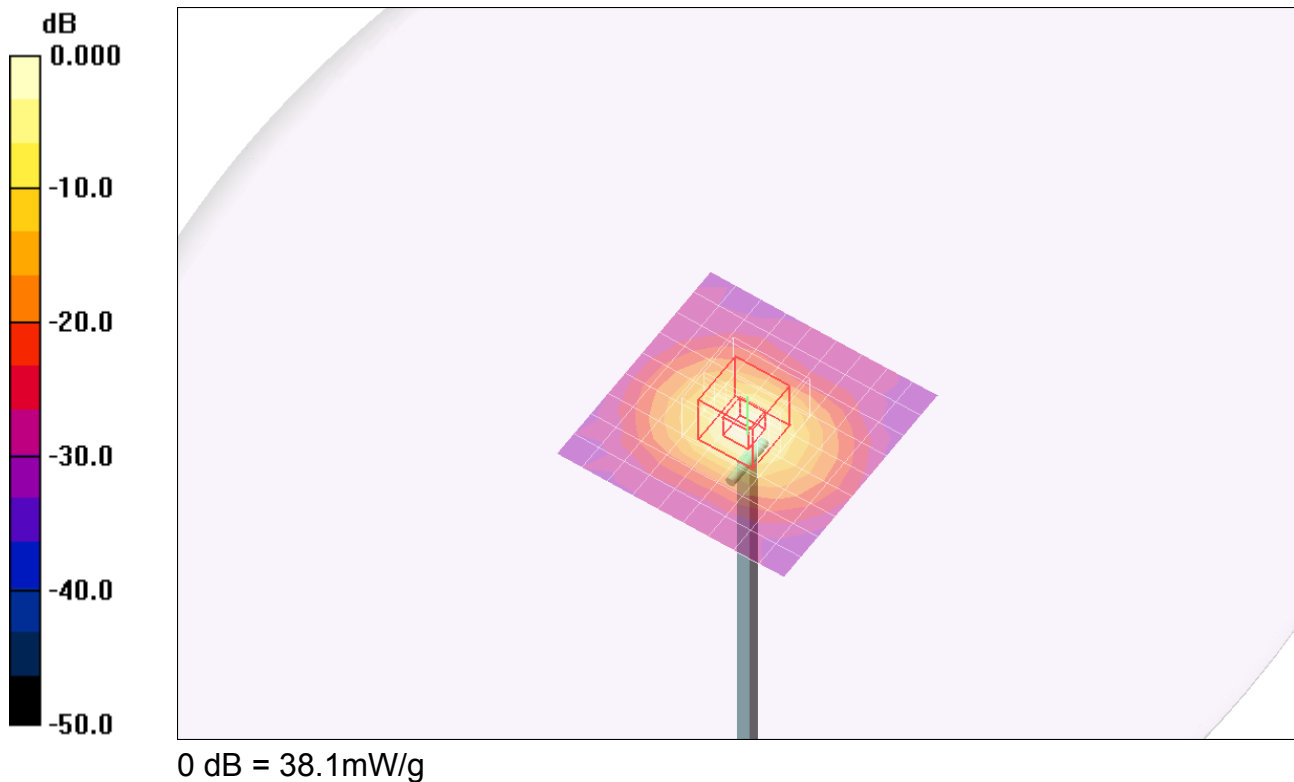
d=10mm, Pin=250mW, f=5800 MHz/Zoom Scan (8x8x8)/Cube 0: Measurement grid: dx=4.3mm, dy=4.3mm, dz=3mm

Reference Value = 85.1 V/m; Power Drift = -0.174 dB

Peak SAR (extrapolated) = 89.9 W/kg

SAR(1 g) = 18.5 mW/g; SAR(10 g) = 5.18 mW/g

Maximum value of SAR (measured) = 38.1 mW/g



Test Laboratory: Compliance Certification Services

SystemPerformanceCheck-D5GHz-uniform

DUT: Dipole 5200-5800MHz; Type: D5GHzV2; Serial: 1003

Communication System: 5200 - 5800MHz; Frequency: 5800 MHz;Duty Cycle: 1:1

d=10mm, Pin=250mW, f=5800 MHz/Z Scan (1x1x41): Measurement grid: dx=20mm, dy=20mm, dz=2.5mm
Maximum value of SAR (measured) = 6.26 mW/g

