



TEST REPORT

EUT Description	2x2 Wi-Fi and BT, M.2 1216 adapter card
Brand Name	Intel® BE200D2W
Model Name	BE200D2W
FCC ID	PD9BE200D2
Date of Test Start/End	2023-09-04 / 2023-09-26
Features	2x2 Wi-Fi - IEEE 802.11be - Bluetooth® (see section 5)
Description	Modular sample + Tri-band antenna

Applicant	Intel Corporation SAS
Address	425 Rue de Goa – Le Cargo B6 – 06600 Antibes, FRANCE
Contact Person	Benjamin Lavenant
Telephone/Fax/ Email	Benjamin.lavenant@intel.com

Reference Standards	FCC 47 CFR Part §2.1093 (see section 1)	
RF Exposure Environment	Portable devices - General population/uncontrolled exposure	
Exposure Conditions	Body worn	
	SAR Result	SAR Limit
Maximum SAR Result & Limit	0.79 W/kg (1g)	1.6 W/kg (1g)
Min. test separation distance	11mm to phantom	

Test Report identification	230526-09.TR72
Revision Control	Rev. 00 This test report revision replaces any previous test report revision. (see section 8)

The test results relate only to the samples tested.
Reference to accreditation shall be used only by full reproduction of test report.

Issued by _____ Reviewed by _____

Yamine HADDAD
(SAR Test Engineer)

Adel LOUNES
(SAR Test Lead Engineer)

Intel Corporation S.A.S – WRF Lab
425 rue de Goa – Le Cargo B6 - 06600 Antibes, France
Tel. +33493001400 / Fax +33493001401

Table of Contents

1. Standards, reference documents and applicable test methods	4
2. General conditions, competences and guarantees	4
3. Environmental Conditions	5
4. Test samples	5
5. EUT Features	6
6. Remarks and comments	10
7. Test Verdicts summary	10
8. Document Revision History	10
Annex A. Test & System Description	11
A.1 SAR DEFINITION.....	11
A.2 SPEAG SAR MEASUREMENT SYSTEM	12
A.2.1 SAR Measurement Setup	12
A.3 E-FIELD MEASUREMENT PROBE	13
A.4 FLAT PHANTOM.....	13
A.5 DEVICE POSITIONER.....	14
A.6 DATA EVALUATION	15
A.7 SYSTEM AND LIQUID CHECK	17
A.8 SYSTEM CHECK	17
A.9 LIQUID CHECK	18
A.10 TEST EQUIPMENT LIST.....	19
A.11 TISSUE SIMULANT LIQUID.....	19
A.12 MEASUREMENT UNCERTAINTY EVALUATION.....	20
A.13 RF EXPOSURE LIMITS.....	21
Annex B. Test Results	22
B.1 TEST CONDITIONS.....	22
B.1.1 TEST SAR TEST POSITIONS RELATIVE TO THE PHANTOM.....	22
B.2 TEST SIGNAL, OUTPUT POWER AND TEST FREQUENCIES	22
B.3 EVALUATION EXCLUSION AND TEST REDUCTIONS	23
B.4 CONDUCTED POWER MEASUREMENTS.....	25
B.5 WLAN 2.4GHZ	25
B.6 WLAN 5GHZ (U-NII).....	26
B.7 BLUETOOTH.....	31
B.8 TISSUE PARAMETERS MEASUREMENT	32
B.9 SYSTEM CHECK MEASUREMENTS	32
B.10 SAR TEST RESULTS.....	33
B.11 BLUETOOTH & 802.11B/G/N/AX/BE – 2.4GHZ – DTS – BT (DSS)	33
B.12 802.11A/N/AC/AX/BE – 5.3 GHZ – U-NII-2A	33
B.13 802.11A/N/AC/AX/BE – 5.6 GHZ – U-NII-2C	34
B.14 802.11A/N/AC/AX/BE – 5.8 GHZ – U-NII-3	34
B.15 SAR MEASUREMENT VARIABILITY	35
B.16 SIMULTANEOUS TRANSMISSION SAR EVALUATION.....	36
Annex C. Test System Plots.....	38
Annex D. TSL Dielectric Parameters.....	47
D.1 400BODY DTS 2450MHZ.....	47
D.2 BODY 5200MHZ-5800MHZ	48

Annex E. Calibration Certificates 49

Annex F. Photographs 51

F.1 TEST SAMPLE 51

F.2 TEST POSITIONS..... 53

F.3 ANTENNA HOST PLATFORM LOCATION AND ADJACENT EDGE POSITIONS RELATIVE TO THE BODY 54

F.4 PHANTOM LIQUID LEVEL DURING MEASUREMENTS 55

1. Standards, reference documents and applicable test methods

FCC	<ol style="list-style-type: none">1. FCC Title 47 CFR Part §2.1093 – Radiofrequency radiation exposure evaluation: portable devices. 2021-10-01 Edition2. FCC OET KDB 447498 D04 interim v01 General RF Exposure Guidance v01– RF Exposure Procedures and Equipment Authorization Policies for Mobile and Portable Devices.3. FCC OET KDB 616217 D04 v01r02 – SAR Evaluation Considerations for Laptop, Notebook, Netbook and Tablet Computers.4. FCC OET KDB 865664 D01 v01r04 – SAR Measurement Requirements for 100 MHz to 6 GHz.5. FCC OET KDB 865664 D02 v01r02 – RF Exposure Compliance Reporting and Documentation Considerations.6. FCC OET KDB 941225 D05 v02r05 – SAR Evaluation Considerations for LTE Devices.7. FCC OET KDB 941225 D01 v03r01 – 3G SAR Measurement Procedures.8. IEEE Std 1528-2013 – IEEE Recommended Practice Determining the Peak Spatial-Average Specific Absorption Rate (SAR) in the Human Head from Wireless Communication Devices: Measurement Techniques...
-----	--

2. General conditions, competences and guarantees

- ✓ Tests performed under FCC standards identified in section 1 are covered by A2LA accreditation.
- ✓ Intel Corporation SAS Wireless RF Lab (Intel WRF Lab) is an ISO/IEC 17025:2017 laboratory accredited by the American Association for Laboratory Accreditation (A2LA) with the certificate number 3478.01.
- ✓ Intel Corporation SAS Wireless RF Lab (Intel WRF Lab) is an Accredited Test Firm recognized by the FCC, with Designation Number FR0011.
- ✓ Intel WRF Lab only provides testing services and is committed to providing reliable, unbiased test results and interpretations.
- ✓ Intel WRF Lab is liable to the client for the maintenance of the confidentiality of all information related to the item under test and the results of the test.
- ✓ Intel WRF Lab has developed calibration and proficiency programs for its measurement equipment to ensure correlated and reliable results to its customers.
- ✓ This report is only referred to the item that has undergone the test.
- ✓ This report does not imply an approval of the product by the Certification Bodies or competent Authorities.

3. Environmental Conditions

✓ At the site where the measurements were performed the following limits were not exceeded during the tests:

Temperature	22.1°C ± 0.9°C
Humidity	42.3% ± 5.2%
Liquid Temperature	21.9°C ± 0.5°C

4. Test samples

Sample	Control #	Description	Model	Serial #	Date of receipt	Note
#01	230526-09.S29	2x2 Wi-Fi and BT, M.2 1216 adapter card	BE200D2W	743AF406E15E	2023-08-06	-
	230724-02.S15	2x2 Wi-Fi and BT, M.2 1216 adapter card	BE200D2W	04E8B963C3A1	2023-07-24	
	180001-01.S16	Socket	-	-	2018-12-18	
	230526-08.S07	Extender	PCB00887-00_A	2202207599	2023-06-05	-
	230306-01.S03	Antenna	Tri-band	-	2023-03-07	-
	230306-01.S04	Antenna	Tri-band	-	2023-03-07	-
	200904-01.S11	Computer	Opel (HSN-I42C)	000750591	2023-04-24	-

5. EUT Features

The herein information is provided by the customer.

Intel WRF Lab declines any responsibility for the accuracy of the stated customer provided information, especially if it has any impact on the correctness of test results presented in this report.

Brand Name	Intel® BE200D2W		
Model Name	BE200D2W		
Software Version	DRTU.04696.99.0.81		
Driver Version	99.0.81.10		
Prototype / Production	Production		
Host Identification	Modular sample		
Supported Radios	802.11b/g/n/ax/be	2.4GHz (2400.0 – 2483.5 MHz)	
	802.11a/n/ac/ax/be	5.2GHz (5150.0 – 5350.0 MHz)	
		5.6GHz (5470.0 – 5725.0 MHz)	
		5.8GHz (5725.0 – 5850.0 MHz)	
		5.9GHz (5850.0 – 5895.0 MHz)*	
	802.11ax/be	6.0GHz (5925.0 – 7125.0 MHz)**	
	Bluetooth	2.4GHz (2400.0 – 2483.5 MHz)	
Antenna Information	Transmitter	Main / chain B / Tx2	Aux / chain A / Tx1
	Manufacturer	Intel	Intel
	Antenna type	Tri-band	Tri-band
	Part number	03	04
	See Annex F for more details on antennas location.		
Simultaneous Transmission Configurations	WLAN 2.4GHz Main + BT Aux WLAN 2.4GHz Main + WLAN 2.4GHz Aux WLAN 5GHz Main + BT Aux WLAN 5GHz Main + WLAN 5GHz Aux WLAN 5GHz Main + WLAN 5GHz Aux + BT Aux WLAN 6GHz Main + BT Aux WLAN 6GHz Main + WLAN 6GHz Aux WLAN 6GHz Main + WLAN 6GHz Aux + BT Aux		
Additional Information	No WWAN transmitter is considered in this report		
	5.60-5.65 GHz band (TDWR) is supported by the device		
	Band gap is supported by the device		

*For UNII-4 refer to report: 230526-09.TR69

**For WiFi 6E band refer to report: 230526-09.TR66

Supported Radios

Mode	Duty Cycle	Modulation	Band	UL Freq Range (MHz)	Measured Max. Conducted Power (dBm)
802.11b/g/n/ax/be	100%	BPSK QPSK 16QAM 64QAM	2.4GHz	2400-2483.5	17.25
802.11a/n/ac/ax/be	100%	BPSK QPSK 16QAM 64QAM 256QAM	5.3GHz	5250-5350	17.25
			5.6GHz	5475-5725	17.43
			5.8GHz	5725-5850	17.35
BDR/EDR	76%	GFSK $\pi/4$ DQPSK 8DPSK	2.4GHz	2400-2483.5	14.66
Bluetooth LE	27%	GFSK	2.4GHz	2400-2483.5	-

NM: Not Measured

Maximum Output power specification + Tune up tolerance limit, as specified by the client			SISO mode	
Equipment Class	Mode	BW (MHz)	Aux (dBm)	Main (dBm)
DTS	802.11b	20	17.50	17.50
	802.11g	20	17.50	17.50
	802.11n20	20	17.50	17.50
	802.11ax20/be20	20	17.50	17.50
	802.11n40	40	17.50	17.50
	802.11ax40/be40	40	17.50	17.50
U-NII-1	802.11a	20	18.00	18.00
	802.11n20	20	18.00	18.00
	802.11ax20/be20	20	18.00	18.00
	802.11n40	40	18.00	18.00
	802.11ax40/be40	40	18.00	18.00
	802.11ac80	80	18.00	18.00
	802.11ax80/be80	80	18.00	18.00
U-NII-2A	802.11a	20	18.00	18.00
	802.11n20	20	18.00	18.00
	802.11ax20/be20	20	18.00	18.00
	802.11n40	40	18.00	18.00
	802.11ax40/be40	40	18.00	18.00
	802.11ac80	80	18.00	18.00
	802.11ax80/be80	80	18.00	18.00
	802.11ac160	160	18.00	18.00
	802.11ax160/be160	160	18.00	18.00
U-NII-2C	802.11a	20	18.00	18.00
	802.11n20	20	18.00	18.00
	802.11ax20/be20	20	18.00	18.00
	802.11n40	40	18.00	18.00
	802.11ax40/be40	40	18.00	18.00
	802.11ac80	80	18.00	18.00
	802.11ax80/be80	80	18.00	18.00
	802.11ac160	160	18.00	18.00
	802.11ax160/be160	160	18.00	18.00
U-NII-3	802.11a	20	18.00	18.00
	802.11n20	20	18.00	18.00
	802.11ax20/be20	20	18.00	18.00
	802.11n40	40	18.00	18.00
	802.11ax40/be40	40	18.00	18.00
	802.11ac80	80	18.00	18.00
	802.11ax80/be80	80	18.00	18.00

Maximum Output power specification + Tune up tolerance limit, as specified by the client			SISO mode	
Equipment Class	Mode	BW (MHz)	Main (dBm)	Aux (dBm)
BT	Bluetooth BDR	1		15.00
	Bluetooth EDR2	1		15.00
	Bluetooth EDR3	1		15.00
	BLE	2		15.00

6. Remarks and comments

1. Only the plots for the test positions with the highest measured SAR per band/mode are included in Annex C as required per FCC OET KDB 865664 D02, paragraph 2.3.8.
2. Bluetooth works in three modes: WLAN Max Power with BT Power at 10dBm, WLAN Max Power -1.5dBm with BT Power level working with step up and BT Max Power standalone. In this report simultaneous part will be evaluated with WLAN Max Power and BT Max Power standalone aim to cover all three modes.

7. Test Verdicts summary

The statement of conformity to applicable standards in the table below are based on the measured values, without considering the measurement uncertainties.

Standard	Band	Highest Reported SAR (1g) (W/kg)	Verdict
802.11b/g/n/ax/be	2.4GHz	0.78	Pass
802.11a/n/ac/ax/be	5.3GHz	0.75	Pass
	5.6GHz	0.79	Pass
	5.8GHz	0.79	Pass
Bluetooth	2.4GHz	0.31	Pass

P: Pass
 F: Fail
 NM: Not Measured
 NA: Not Applicable

According to the FCC OET KDB 690783 D01, this is the summary of the values for the Grant Listing:

Exposure Condition	Highest Reported SAR (1g) (W/kg)		
	Equipment Class		
	DTS	DSS	U-NII
Body Worn	0.78	0.31	0.79
Simultaneous Tx	Sum-SAR: 1.49 SPLSR: NA	Sum-SAR: 1.09 SPLSR: NA	Sum-SAR: 1.04 SPLSR: NA

Considering the results of the performed test according to FCC 47CFR Part 2.1093, Issue 5 the item under test is IN COMPLIANCE with the requested specifications specified in Section1. Standards, reference documents and applicable test methods

8. Document Revision History

Revision #	Modified by	Revision Details
Rev. 00	M.FARIA	First Issue

Annex A. Test & System Description

A.1 SAR Definition

Specific Absorption rate is defined as the time derivative of the incremental energy (dW) absorbed by (dissipated in) and incremental mass (dm) contained in a volume element (dV) of a given density (ρ).

$$SAR = \frac{d}{dt} \cdot \left(\frac{dW}{dm} \right) = \frac{d}{dt} \cdot \left(\frac{dW}{\rho \cdot dV} \right)$$

SAR is expressed in units of watts per kilogram (W/kg). SAR can be related to the electric field at a point by

$$SAR = \frac{\sigma |E|^2}{\rho}$$

Where:

σ = Conductivity of the tissue (S/m)

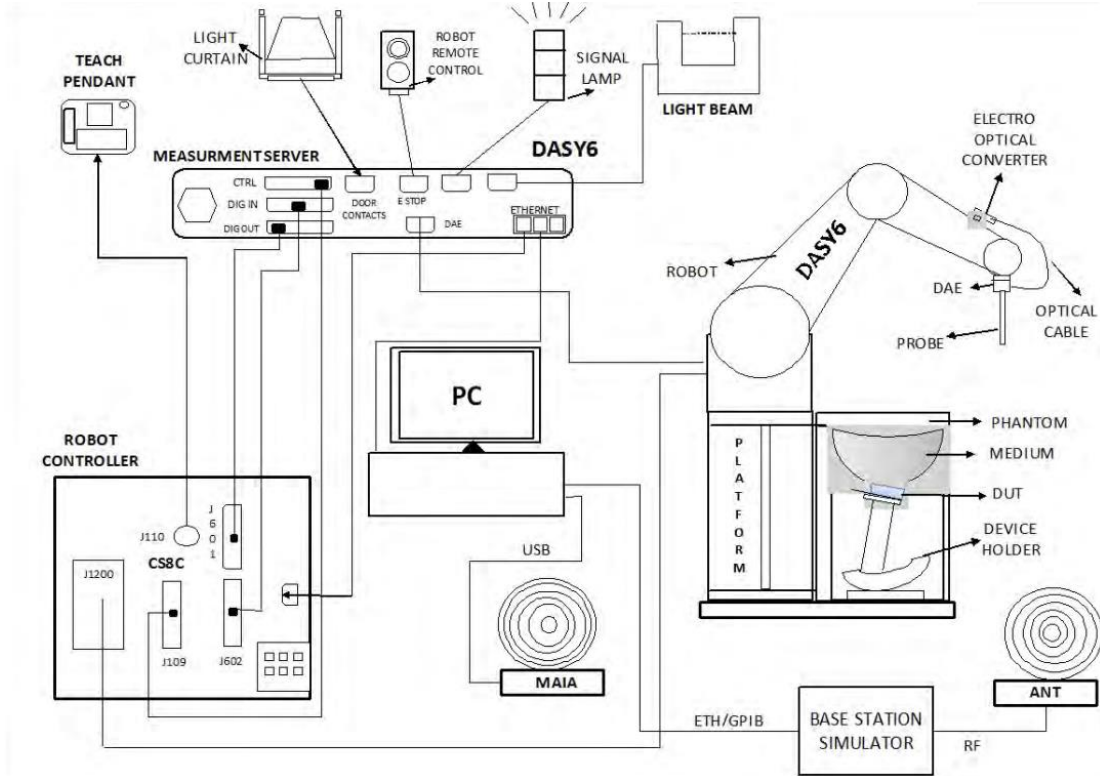
ρ = Mass density of the tissue (kg/m³)

E = RMS electric field strength (V/m)

A.2 SPEAG SAR Measurement System

A.2.1 SAR Measurement Setup

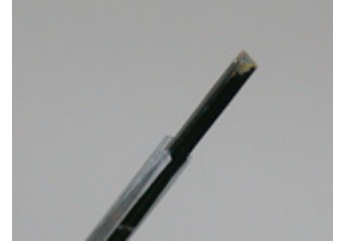
The DASY6/8 system for performing compliance tests consists of the following items:



- ✓ A standard high precision 6-axis robot (Stäubli TX/RX family) with controller, teach pendant and software. It includes an arm extension for accommodating the data acquisition electronics (DAE)
- ✓ An isotropic field probe optimized and calibrated for the targeted measurements.
- ✓ A data acquisition electronics (DAE) which performs the signal amplification, signal multiplexing, AD-conversion, offset measurements, mechanical surface detection, collision detection, etc. The signal is optically transmitted to the EOC.
- ✓ The Electro-optical Converter (EOC) performs the conversion from optical to electrical signals for the digital communication to the DAE. The EOC signal is transmitted to the measurement server.
- ✓ The function of the measurement server is to perform the time critical tasks such as signal filtering, control of the robot operation and fast movements interrupts.
- ✓ The Light Beam used is for probe alignment. This improves the (absolute) accuracy of the probe positioning.
- ✓ A computer running Windows professional operating system and the DASY6/8 software.
- ✓ Remote control and teach pendant as well as additional circuitry for robot safety such as warning lamps, etc.
- ✓ The phantom, the device holder and other accessories according to the targeted measurement.
- ✓ MAIA is a hardware interface (Antenna) used to evaluate the modulation and audio interference characteristics of RF signals.
- ✓ ANT is an ultra-wideband antenna for use with the base station simulators over 698 MHz to 6GHz.
- ✓ The base station simulator is an equipment used for SAR cellular tests in order to emulate the cellular signals characteristics and behavior between a regular base station and the equipment under test.
- ✓ Tissue simulating liquid.
- ✓ System Validation dipoles.
- ✓ Network emulator or RF test tool

A.3 E-Field Measurement Probe

The probe is constructed using three orthogonal dipole sensors arranged on an interlocking, triangular prism core. The probe has built-in shielding against static charges and is contained within a PEEK cylindrical enclosure material at the tip.



The probe's characteristics are:

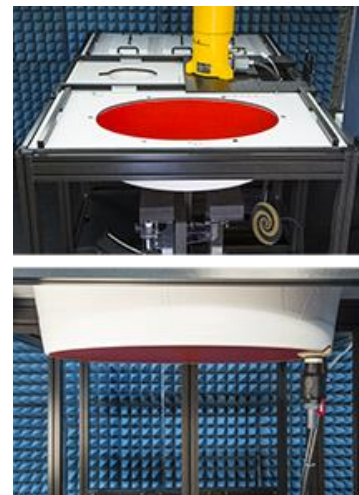
Frequency Range	30MHz – 6GHz
Length	337 mm
Probe tip external diameter	2.5 mm
Typical distance between dipoles and the probe tip	1 mm
Axial Isotropy (in human-equivalent liquids)	±0.3 dB
Hemispherical Isotropy (in human-equivalent liquids)	±0.5 dB
Linearity	±0.2 dB
Maximum operating SAR	100 W/kg
Lower SAR detection threshold	0.001 W/kg

A.4 Flat Phantom

Phantom for compliance testing of handheld and body-mounted wireless devices in the frequency range of 30 MHz to 6 GHz. ELI is fully compatible with the IEC 62209-2 standard and all known tissue simulating liquids. ELI has been optimized regarding its performance and can be integrated into our standard phantom tables. A cover prevents evaporation of the liquid. Reference markings on the phantom allow installation of the complete setup, including all predefined phantom positions and measurement grids, by teaching three points. The phantom is compatible with all SPEAG dosimetric probes and dipoles.

The phantom's characteristics are:

Material	Vinylester, glass fiber reinforced (VE-GF)
Shell thickness	2 mm ± 0.2 mm
Filling volume	30 Liters approx.
Dimensions	Major axis: 600mm / Minor axis: 400mm



A.5 Device Positioner

The SAR in the phantom is approximately inversely proportional to the square of the distance between the source and the liquid surface. For a source at 5 mm distance, a positioning uncertainty of 0.5 mm would produce a SAR uncertainty of 20%. Accurate device positioning is therefore crucial for accurate and repeatable measurements. The positions in which the devices must be measured are defined by the standards.



The DASY device holder is designed to cope with the different positions given in the standard. It has two scales for device rotation (with respect to the body axis) and device inclination (with respect to the line between the ear reference points). The rotation center for both scales is the ear reference point (ERP). Thus the device needs no repositioning when changing the angles.

The DASY device holder is constructed of low-loss POM material having the following dielectric parameters: relative permittivity $\epsilon=3$ and loss tangent $\delta=0.02$. The amount of dielectric material has been reduced in the closest vicinity of the device, since measurements have suggested that the influence of the clamp on the test results could thus be lowered.

A simple but effective and easy-to-use extension for the Mounting Device; facilitates testing of larger devices according to IEC 62209-2 (e.g., laptops, cameras, etc.); lightweight and fits easily on the upper part of the Mounting Device in place of the phone positioner. The extension is fully compatible with the Twin SAM, ELI and other Flat Phantoms.



A.6 Data Evaluation

- **Power Reference measurement**

The robot measures the E field in a specified reference position that can be either the selected section's grid reference point or a user point in this section at 4mm of the inner surface of the phantom, 2mm for frequencies above 3GHz.

- **Area Scan**

Measurement procedures for evaluating SAR from wireless handsets typically start with a coarse measurement grid to determine the approximate location of the local peak SAR values. This is known as the area-scan procedure. The SAR distribution is scanned along the inside surface of one side of the phantom head, at least for an area larger than the projection of the handset and antenna. The distance between the measured points and phantom surface should be less than 8 mm, and should remain constant (with variation less than ± 1 mm) during the entire scan in order to determine the locations of the local peak SAR with sufficient accuracy. The angle between the probe axis and the surface normal line is recommended but not required to be less than 30° . If this angle is larger than 30° and the closest point on the probe-tip housing to the phantom surface is closer than a probe diameter, the boundary effect may become larger and polarization dependent. This additional uncertainty needs to be analyzed and accounted for. To achieve this, modified test procedures and additional uncertainty analyses not described in this recommended practice may be required. The measurement and interpolation point spacing should be chosen such as to allow identification of the local peak locations to within one-half of the linear dimension of a side of the zoom-scan volume. Because a local peak having specific amplitude and steep gradients may produce a lower peak spatial-average SAR compared to peaks with slightly lower amplitude and less steep gradients, it is necessary to evaluate these other peaks as well. However, since the spatial gradients of local SAR peaks are a function of the wavelength inside the tissue-equivalent liquid and the incident magnetic field strength, it is not necessary to evaluate local peaks that are less than 2 dB or more below the global maximum peak. Two-dimensional spline algorithms (Brishoual et al. 2001; Press et al., 1996) are typically used to determine the peaks and gradients within the scanned area. If a peak is found at a distance from the scan border of less than one-half the edge dimension of the desired 1 g or 10 g cube, the measurement area should be enlarged if possible.

- **Zoom Scan**

To evaluate the peak spatial-average SAR values for 1 g or 10 g cubes, fine resolution volume scans, called zoom scans, are performed at the peak SAR locations identified during the area scan. The minimum zoom scan volume size should extend at least 1.5 times the edge dimension of a 1 g cube in all directions from the center of the scan volume, for both 1 g and 10 g peak spatial-average SAR evaluations. Along the phantom curved surfaces, the front face of the volume facing the tissue/liquid interface conforms to the curved boundary, to ensure that all SAR peaks are captured. The back face should be equally distorted to maintain the correct averaging mass. The flatness and orientation of the four side faces are unchanged from that of a cube whose orientation is within $\pm 30^\circ$ of the line normal to the phantom at the center of the cube face next to the phantom surface. The peak local SAR locations that were determined in the area scan (interpolated values) should be used for the centers of the zoom scans. If a scan volume cannot be centered due to proximity of a phantom shape feature, the probe should be tilted to allow scan volume enlargement. If probe tilt is not feasible, the zoom-scan origin may be shifted, but not by more than half of the 1 g or 10 g cube edge dimension.

After the zoom-scan measurement, extrapolations from the closest measured points to the surface, for example along lines parallel to the zoom-scan centerline, and interpolations to a finer resolution between all measured and extrapolated points are performed. Extrapolation algorithm considerations are described in 6.5.3, and 3-D spline methods (Brishoual et al., 2001; Kreyszig, 1983; Press et al., 1996) can be used for interpolation. The peak spatial-average SAR is finally determined by a numerical averaging of the local SAR values in the interpolation grid, using for example a trapezoidal algorithm for the integration (averaging).

In some areas of the phantom, such as the jaw and upper head regions, the angle of the probe with respect to the line normal to the surface may be relatively large, e.g., greater than $\pm 30^\circ$, which could increase the boundary effect error to a larger level. In these cases, during the zoom scan a change in the orientation of the probe, the phantom, or both is recommended but not required for the duration of the zoom scan, so that the angle between the probe axis and the line normal to the surface is within 30° for all measurement points.

- **Power Drift measurement**

The robot re-measures the E-Field in the same reference location measured at the Power Reference. The drift measurement gives the field difference in dB from the first to the last reference reading. This allows a user to monitor the power drift of the device under test that must remain within a maximum variation of $\pm 5\%$.

- **Post-processing**

The procedure for spatial peak SAR evaluation has been implemented according to the IEEE1528 and IEC 62209-1/2 standards. It can be conducted for 1g and 10g.

The software allows evaluations that combine measured data and robot positions, such as:

- ✓ Maximum search
- ✓ Extrapolation
- ✓ Boundary correction
- ✓ Peak search for averaged SAR

Interpolation between the measured points is performed when the resolution of the grid is not fine enough to compute the average SAR over a given mass.

Extrapolation routines are used to obtain SAR values between the lowest measurement points and the inner phantom surface. The extrapolation is determined by the surface detection distance and the probe sensor offset. Several measurements at different distances are necessary for the extrapolation.

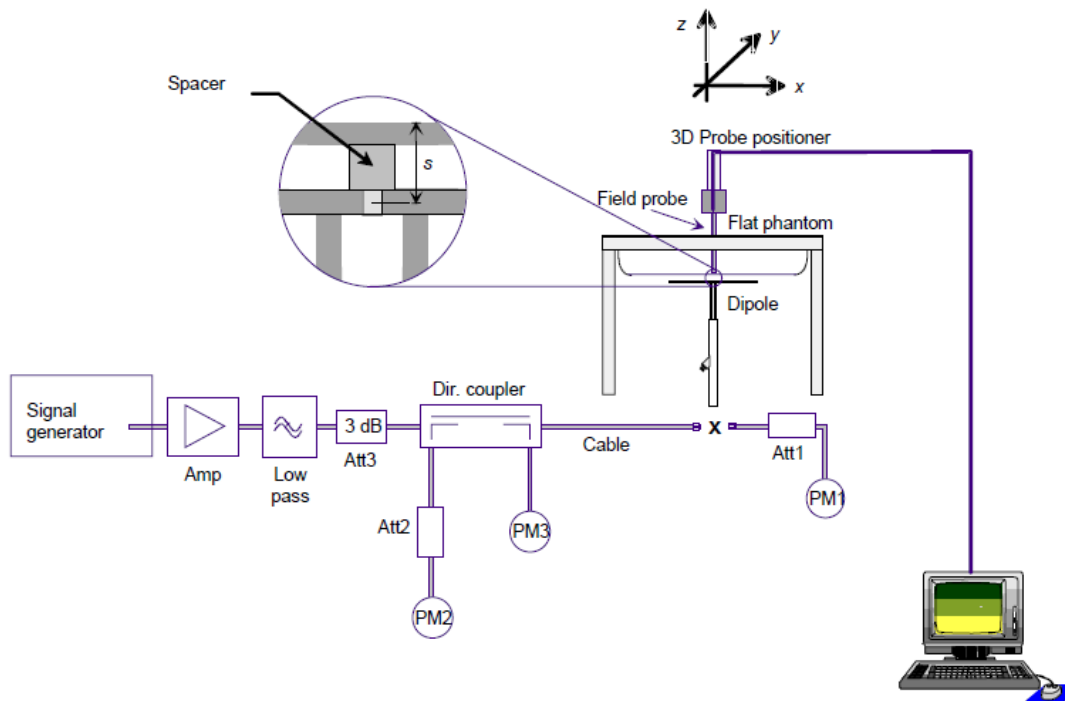
A.7 System and Liquid Check

A.8 System Check

The system performance check verifies that the system operates within its specifications. System and operator errors can be detected and corrected. It is recommended that the system performance check be performed prior to any usage of the system in order to guarantee reproducible results.

The system performance check uses normal SAR measurements in a simplified setup with a well characterized source. This setup was selected to give a high sensitivity to all parameters that might fail or vary over time. The system check does not intend to replace the calibration of the components, but indicates situations where the system uncertainty is exceeded due to drift or failure.

In the simplified setup for system check, the EUT is replaced by a calibrated dipole and the power source is replaced by a controlled continuous wave generated by a signal generator. The calibrated dipole must be placed beneath the flat phantom section of the phantom at the correct distance.



The equipment setup is shown below:

- ✓ Signal Generator
- ✓ Amplifier
- ✓ Directional coupler
- ✓ Power meter
- ✓ Calibrated dipole

First, the power meter PM1 (including attenuator Att1) is connected to the cable to measure the forward power at the location of the connector (x) to the system check source. The signal generator is adjusted for the desired forward power at the connector as read by power meter PM1 after attenuation Att1 and also as coupled through Att2 to PM2. After connecting the cable to the source, the signal generator is readjusted for the same reading at power meter PM2.

SAR results are normalized to a forward power of 1W to compare the values with the calibration reports results as described at IEEE 1528, IEC 62209 standards

A.9 Liquid Check

The dielectric parameters check is done prior to the use of the tissue simulating liquid. The verification is made by comparing the relative permittivity and conductivity to the values recommended by the applicable standards.

The liquid verification was performed using the following test setup:

- ✓ VNA (Vector Network Analyzer)
- ✓ Open-Short-Load calibration kit
- ✓ RF Cable
- ✓ Open-Ended Coaxial probe
- ✓ DAK software tool
- ✓ SAR Liquid
- ✓ De-ionized water
- ✓ Thermometer

These are the target dielectric properties of the tissue-equivalent liquid material as defined in FCC OET KDB 865664 D01.

Frequency (MHz)	Body SAR	
	ϵ_r (F/m)	σ (S/m)
150	61.9	0.80
300	58.2	0.92
450	56.7	0.94
835	55.2	0.97
900	55.0	1.05
1450	54.0	1.30
1800-2000	53.3	1.52
2450	52.7	1.95
3000	52.0	2.73
5800	48.2	6.00

(ϵ_r = relative permittivity, σ = conductivity and ρ = 1000 kg/m³)

The measurement system implement a SAR error compensation algorithm as documented in IEEE Std 1528-2013 to automatically compensate the measured SAR results for deviations between the measured and required tissue dielectric parameters (applied to only scale up the measured SAR, and not downward) so, according to FCC OET KDB 865664 D01, the tolerance for ϵ_r and σ may be relaxed to $\pm 10\%$.

A.10 Test Equipment List

SAR system #5

ID #	Device	Type/Model	Serial Number	Manufacturer	Cal. Date	Cal. Due Date
489-000	6-Axis Robot	TX260L Speag	F/22/0038104/A/001	STAÜBLI	NA	NA
489-001	Robot Controller	CSE9spe-TX2-60	F/22/0038104/C/001	STAÜBLI	NA	NA
489-004	Measurement Server	DASY8 MS	10079	SPEAG	NA	NA
489-009	Electro Optical Converter	EOC8-60	1033	SPEAG	NA	NA
489-005	Light Beam Unit	LB-85	2068	Di-soric	NA	NA
004-002	Oval Flat Phantom	ELI V8.0	2124	SPEAG	NA	NA
489-010	Measurement Software	DASY8 V16.0	9-457E974A_D8	SPEAG	NA	NA
489-007	Data Acquisition Electronics	DAEip	1706	SPEAG	2023-07-07	2024-07-07
003-007	Dosimetric E-Field probe	EX3DV4	7465	SPEAG	2023-07-11	2024-07-11

Shared equipment

ID #	Device	Type/Model	Serial Number	Manufacturer	Cal. Date	Cal. Due Date
151-000	USB Power Sensor	NRP-Z58	100972	R&S	2022-03-29	2024-03-29
008-025	USB Power Sensor	NRP-Z57	101280	R&S	2022-04-22	2024-04-22
099-000	Liquid measurement SW	DAK-3.5 V2.6.0.5	9-2687B491	SPEAG	NA	NA
069-000	Dielectric Probe Kit	DAK-3.5	1037	SPEAG	2023-07-04	2025-07-04
077-000	Coupler	CD0.5-8-20-30	1251-002	Amd-group	2023-02-20	2024-02-20
079-001	RF Cable	CBL-0.5M-SMSM+	226527	Mini-Circuits	2023-02-20	2024-02-20
167-001	RF Cable	CBL-2M-SMSM+	233846	Mini-Circuits	2023-02-20	2024-02-20
130-000	Vector Signal Generator	SMB100A	178217	R&S	2023-07-26	2025-07-26
496-000	Temp & Humidity Logger	RA32E-TH1-RAS	RA32-FC8485	AVTECH	2023-04-20	2025-04-20
451-000	Vector Reflectometer R140	PLANAR R140	21190006	Copper mountain	2021-11-09	2023-11-09
068-000	5GHz System Validation Dipole	D5GHzv2	1164	SPEAG	2021-05-18	2024-05-18
070-000	2450GHz System Validation Dipole	D2450GHzV2	937	SPEAG	2022-05-19	2024-05-19
458-000	Measurement Software	SARA V2.3	NA	Intel	NA	NA

A.11 Tissue Simulant Liquid

TSL	Manufacturer / Model	Freq Range (MHz)	Main Ingredients
Body WideBand	SPEAG MBBL600-6000V6 Batch 191014-02	600-6000	Ethanediol, Sodium petroleum sulfonate, Hexylene Glycol / 2-Methyl-pentane-2.4-diol, Alkoxylated alcohol

A.12 Measurement Uncertainty Evaluation

The system uncertainty evaluation is shown in the table below with a coverage factor of $k = 2$ to indicate a 95% level of confidence:

SPEAG DASY6 Uncertainty Budget								
According to IEC/IEEE 62209-1528 (4 MHz - 6 GHz)								
including IEEE 1528-2013 and IEC 62209-1/2016, IEC 62209-2/2010								
Symbol	Error Description	Uncert. Value	Prob. Dist.	Div.	(ci) 1g	(ci) 10g	Std Unc. (1g)	Std Unc. (10g)
Measurement System Errors								
CF	<i>Probe Calibration</i>	±14.0 %	N	2	1	1	±7.0 %	±7.0 %
CF _{drift}	Probe Calibration Drift	±1.0 %	N	1	1	1	±1.0 %	±1.0 %
LIN	Probe Linearity	±4.7 %	R	√3	1	1	±2.7 %	±2.7 %
BBS	Broadband Signal	±3.0 %	N	2	1	1	±1.5 %	±1.5 %
ISO	<i>Axial Isotropy</i>	±4.7 %	R	√3	0.5	0.5	±1.4 %	±1.4 %
ISO	Hemispherical Isotropy	±9.6 %	R	√3	0.5	0.5	±2.8 %	±2.8 %
DAE	Data Acquisition	±0.3 %	N	1	1	1	±0.3 %	±0.3 %
AMB	RF Ambient	±1.8 %	N	1	1	1	±1.8 %	±1.8 %
Δ _{sys}	Probe Positioning	±0.2 %	N	1	0.33	0.33	±0.1 %	±0.1 %
DAT	Data Processing	±2.3 %	N	1	1	1	±2.3 %	±2.3 %
Phantom and Device Errors								
LIQ(σ)	Conductivity (meas.) _{DAK}	±2.5 %	N	1	0.78	0.71	±2.0 %	±1.8 %
LIQ(Tσ)	Conductivity (temp.) _{BB}	±3.4 %	R	√3	0.78	0.71	±1.5 %	±1.4 %
EPS	Phantom Permittivity	±14.0 %	R	√3	0.25	0.25	±2.0 %	±2.0 %
DAS	Distance DUT - TSL	±2.0 %	N	1	2	2	±4.0 %	±4.0 %
H	Device Holder	±3.6 %	N	1	1	1	±3.6 %	±3.6 %
MOD	DUT Modulation _m	±2.4 %	R	√3	1	1	±1.4 %	±1.4 %
TAS	Time-average SAR	±2.6 %	R	√3	1	1	±1.5 %	±1.5 %
RF _{drift}	DUT drift	±5.0 %	N	1	1	1	±2.9 %	±2.9 %
Correction to the SAR results								
C(ε, σ)	Deviation to Target	±1.9 %	N	1	1	0.84	±1.9 %	±1.6 %
Combined Std. Uncertainty							±11.5 %	±11.4 %
Expanded STD Uncertainty							±23.1 %	±22.9 %

A.13 RF Exposure Limits

SAR assessments have been made in line with the requirements of FCC 47CFR Part 2.1093 on the limitation of exposure of the general population / uncontrolled exposure for portable devices.

Exposure Type	General Population / Uncontrolled Environment
Peak spatial-average SAR (averaged over any 1 gram of tissue)	1.6 W/kg
Whole body average SAR	0.08 W/kg
Peak spatial-average SAR (extremities) (averaged over any 10 grams of tissue)	4.0 W/kg

Annex B. Test Results

The herein test results were performed by:

Test case measurement	Test Personnel
Conducted measurement	F. Heurtematte
SAR measurement	M.FARIA

B.1 Test Conditions

B.1.1 Test SAR Test positions relative to the phantom

The device under test was an Intel® BE200D2W card using a Tri band Electronics antenna as reference. The card was operated utilizing proprietary software (DRTU version DRTU.04696.99.0.81) and each channel was measured using a broadband power meter to determine the maximum average power.

All sides of the antenna were tested for SAR compliance with the antenna placed at 11mm beneath the phantom. The adjacent edges of the antenna were positioned perpendicular to the phantom.

Considering the antenna location diagrams in Annex F and the test exclusions described before, the surfaces/edges to be measured for each antenna are:

Antenna	Aux	Main
Position	<ul style="list-style-type: none"> • Front face • Back Face • Top edge • Left edge • Right edge 	<ul style="list-style-type: none"> • Front face • Back Face • Top edge • Left edge • Right edge

See B.3.1.1 for a more detailed list of the applied reductions.

See F.2 Test positions section for more information on the tested positions.

B.2 Test signal, Output power and Test Frequencies

For 802.11 transmission modes the device was put into operation by using an own control software to program the test mode required to select the continuous transmission with 100% duty cycle.

The output power of the device was set to transmit at maximum power for all tests.

B.3 Evaluation Exclusion and Test Reductions

B.3.1.1 SAR evaluation exclusion

FCC:

The SAR Test Exclusion Threshold in FCC OET KDB 447498 can be applied to determine SAR test exclusion for adjacent edge configurations. For 100MHz to 6GHz and test separation distances ≤ 50 mm, the 1-g and 10-g SAR test exclusion thresholds are determined by the following formula:

$$\left[\frac{\text{(max. power of channel, including tune – up tolerance, mW)}}{\text{(min. test separation distance, mm)}} \cdot \sqrt{f_{\text{(GHz)}}} \right] \leq 3.0 \text{ for } 1g \text{ SAR, and } \leq 7.5 \text{ for } 10g \text{ extremity SAR} \quad (1)$$

Where:

- $f_{\text{(GHz)}}$ is the RF channel transmit frequency in GHz
- Power and distance are rounded to the nearest mW and mm before calculation
- The result is rounded to one decimal place for comparison
- The values 3.0 and 7.5 are referred to as numeric thresholds

The test exclusions are applicable only when the minimum test separation distance is ≤ 50 mm, and for transmission frequencies between 100 MHz and 6 GHz. When the minimum test separation distance is < 5 mm, a distance of 5 mm is applied to determine SAR test exclusion.

For test separation distances > 50 mm, the 1-g and 10-g SAR test exclusion thresholds are determined using the following formulas:

$$\left(\text{(Power allowed at numeric threshold for 50 mm in (1))} + (\text{test separation distance} - 50 \text{ mm}) \cdot (f_{\text{MHz}}/150) \right) \text{mW}, \quad (2)$$

for 100MHz to 1500MHz

$$\left(\text{(Power allowed at numeric threshold for 50 mm in (1))} + (\text{test separation distance} - 50 \text{ mm}) \cdot 10 \right) \text{mW}, \quad (3)$$

for 1500MHz and ≤ 6 GHz

LAN Antenna	Band Name	Output power		Front Face	Back Face	Top Edge	Right Edge	Left Edge	Front Face	Back Face	Top Edge	Right Edge	Left Edge
		dBm	mW										
Aux	DTS	17.50	56.23	<50	<50	<50	<50	>50	T	T	T	T	T
	U-NII-1	18.00	63.10	<50	<50	<50	<50	>50	R	R	R	R	R
	U-NII-2A	18.00	63.10	<50	<50	<50	<50	>50	T	T	T	T	T
	U-NII-2C	18.00	63.10	<50	<50	<50	<50	>50	T	T	T	T	T
	U-NII-3	18.00	63.10	<50	<50	<50	<50	>50	T	T	T	T	T
	BT	15.00	31.62	<50	<50	<50	<50	>50	T	T	T	T	T
Main	DTS	17.50	56.23	<50	<50	<50	<50	<50	T	T	T	T	T
	U-NII-1	18.00	63.10	<50	<50	<50	<50	<50	R	R	R	R	R
	U-NII-2A	18.00	63.10	<50	<50	<50	<50	<50	T	T	T	T	T
	U-NII-2C	18.00	63.10	<50	<50	<50	<50	<50	T	T	T	T	T
	U-NII-3	18.00	63.10	<50	<50	<50	<50	<50	T	T	T	T	T

T: Tested position
R: Reduced

See Annex F for a more detailed explanation of the separation distance related to the platform.

B.3.1.2 General SAR test reduction

According to FCC OET KDB 447498, testing of other required channels within the operating mode of a frequency band is not required when the reported 1-g or 10-g SAR for the mid-band or highest output power channel is:

- ≤ 0.8 W/kg or 2.0 W/kg, for 1-g or 10-g respectively, when the transmission band is ≤ 100 MHz
- ≤ 0.6 W/kg or 1.5 W/kg, for 1-g or 10-g respectively, when the transmission band is between 100 MHz and 200 MHz
- ≤ 0.4 W/kg or 1.0 W/kg, for 1-g or 10-g respectively, when the transmission band is ≥ 200 MHz

WLAN SAR Test reduction

Transmission Mode	SAR test exclusion/reduction
DSSS	<p>According to FCC OET KDB 248227 D01, SAR is measured for 2.4 GHz 802.11b, SAR test reduction is determined according to the following:</p> <ul style="list-style-type: none"> ▪ When the reported SAR of the highest measured maximum output power channel for the exposure configuration is ≤ 0.8 W/kg, no further SAR testing is required for 802.11b DSSS in that exposure configuration. ▪ When the reported SAR is > 0.8 W/kg, SAR is required for that exposure configuration using the next highest measured output power channel. When any reported SAR is > 1.2 W/kg, SAR is required for the third channel. <p>According to FCC OET KDB 248227 D01, SAR is not required for 2.4 GHz OFDM conditions when the highest reported SAR for DSSS is adjusted by the ratio of OFDM to DSSS specified maximum output power and the adjusted SAR is ≤ 1.2 W/kg.</p>
OFDM	<p>According to FCC OET KDB 248227 D01, 802.11a/g/n/ac modes have the same specified maximum output power, largest channel bandwidth, lowest order modulation and lowest data rate, the lowest order 802.11 mode is selected; i.e., 802.11a is chosen over 802.11n then 802.11ac or 802.11g is chosen over 802.11n.</p> <p>According to FCC OET KDB 248227 D01, an <i>initial test configuration</i> is determined for OFDM and DSSS transmission modes according to the channel bandwidth, modulation and data rate combination(s) with the highest maximum output power specified for production units in each standalone and aggregated frequency band. SAR is measured using the highest measured maximum output power channel. SAR test reduction for subsequent highest output test channels is determined according to reported SAR of the initial test configuration.</p> <p>The <i>initial test configuration</i> for 5 GHz OFDM transmission modes is determined by the 802.11 configuration with the highest maximum output power specified for production units, including tune-up tolerance, in each standalone and aggregated frequency band. SAR for the initial test configuration is measured using the highest maximum output power channel determined by the default power measurement procedures.</p> <p>According to FCC OET KDB 248227 D01, when the reported SAR of the initial test configuration is > 0.8 W/kg, SAR measurement is required for subsequent next highest measured output power channel(s) in the initial test configuration until reported SAR is ≤ 1.2 W/kg or all required channels are tested.</p>

B.4 Conducted Power Measurements

B.5 WLAN 2.4GHz

Band	Mode	Data Rate	Ch #	Freq (MHz)	Aux		Main		SAR Test?
					Avg Pwr (dBm)	Tune-up Pwr (dBm)	Avg Pwr (dBm)	Tune-up Pwr (dBm)	
2.4GHz (DSS)	802.11b	1Mbps	1	2412	16.90	17.50	17.23	17.50	Yes
			6	2437	17.25	17.50	17.03	17.50	
			11	2462	17.90	17.50	17.04	17.50	
	802.11g	6Mbps	1	2412	NR	17.50	NR	17.50	No
			6	2437		17.50		17.50	
			11	2462		17.50		17.50	
	802.11n20	HT0	1	2412		17.50		17.50	
			6	2437		17.50		17.50	
			11	2462		17.50		17.50	
	802.11ax20/be20	MCS0	1	2412		17.50		17.50	
			6	2437		17.50		17.50	
			11	2462		17.50		17.50	
	802.11n40	HT0	3	2422		17.50		17.50	
			6	2437		17.50		17.50	
			9	2452		17.50		17.50	
	802.11ax40/be40	MCS0	3	2422		17.50		17.50	
			6	2437		17.50		17.50	
			9	2452		17.50		17.50	

Initial test configuration

1. NR: Not Required
2. As per FCC OET KDB 248227 D01, conducted output power and SAR testing are not required for 802.11g/n/ax channels when the highest reported SAR for DSSS is adjusted by the ratio of OFDM to DSSS specified maximum output power and the adjusted SAR is $\leq 1.2W/kg$.
3. When the reported SAR of the initial test configuration is $> 0.8 W/kg$, SAR measurement is required for subsequent next highest measured output power channel(s) in the initial test configuration until reported SAR is $\leq 1.2 W/kg$ or all required channels are tested.

B.6 WLAN 5GHz (U-NII)

B.6.1.1 5.2GHz and 5.3GHz (U-NII-1 and U-NII-2A)

Band	Mode	Data Rate	Ch #	Freq (MHz)	Aux		Main		SAR Test ?
					Avg Pwr (dBm)	Tune-up Pwr (dBm)	Avg Pwr (dBm)	Tune-up Pwr (dBm)	
5.2GHz (U-NII-1)	802.11a	6Mbps	36	5180	NR	18.00	NR	18.00	No
			40	5200		18.00		18.00	
			44	5220		18.00		18.00	
			48	5240		18.00		18.00	
	802.11n20	HT0	36	5180		18.00		18.00	
			40	5200		18.00		18.00	
			44	5220		18.00		18.00	
			48	5240		18.00		18.00	
	802.11ax20/be20	MCS0	36	5180		18.00		18.00	
			40	5200		18.00		18.00	
			44	5220		18.00		18.00	
			48	5240		18.00		18.00	
	802.11n40	HT0	38	5190		18.00		18.00	
			46	5230		18.00		18.00	
	802.11ax40/be40	MCS0	38	5190		18.00		18.00	
			46	5230		18.00		18.00	
	802.11ac80	VHT0	42	5210		18.00		18.00	
	802.11ax80/be80	MCS0	42	5210		18.00		18.00	

Initial test configuration

1. NR: Not Required
2. When the same maximum output power is specified for both bands, begin SAR measurement in U-NII-2A band by applying the OFDM SAR requirements. If the highest reported SAR for a test configuration is ≤ 1.2 W/kg, SAR is not required for U-NII-1 band (see §B.12 in this document).
3. Additional conducted power measurement is required when reported SAR is > 1.2 W/kg. In case the subsequent test configuration and the channel bandwidth is smaller than the initial test configuration, all channels that overlap with the larger channel bandwidth in the initial configuration should be tested.
4. The initial test configuration for 2.4 GHz and 5 GHz OFDM transmission modes is determined by the 802.11 configuration with the highest maximum output power specified for production units, including tune-up tolerance, in each standalone and aggregated frequency band. SAR for the initial test configuration is measured using the highest maximum output power channel determined by the default power measurement procedures. When multiple transmission modes (802.11 a/g/n/ac/ax) have the same specified maximum output power, largest channel bandwidth, lowest order modulation and lowest data rate, lowest order 802.11 mode is selected (i.e. a, g, n, ac then ax)
5. When the reported SAR of the initial test configuration is > 0.8 W/kg, SAR measurement is required for the subsequent next highest measured output power channel(s) in the initial test configuration until reported SAR is $=1.2$ W/kg or all required channels are tested.
6. When the highest reported SAR for the initial test configuration (when applicable, include subsequent highest output channels), according to the initial test position or fixed exposure requirements, is adjusted by the ratio of the subsequent test configuration to the initial test configuration specified maximum output power and the adjusted SAR is ≤ 1.2 W/kg, SAR is not required for that subsequent test configuration
7. SAR for subsequent highest measured maximum output power channels in the subsequent test configuration is required only when the reported SAR of the preceding higher maximum output power channel(s) in the subsequent test configuration is >1.2 W/kg or until all required channels are tested.

Band	Mode	Data Rate	Ch #	Freq (MHz)	Aux		Main		SAR Test?
					Avg Pwr (dBm)	Tune-up Pwr (dBm)	Avg Pwr (dBm)	Tune-up Pwr (dBm)	
5.3GHz (U-NII-2A)	802.11a	6Mbps	52	5260	NR	18.00	NR	18.00	No
			56	5280		18.00		18.00	
			60	5300		18.00		18.00	
			64	5320		18.00		18.00	
	802.11n20	HT0	52	5260		18.00		18.00	
			56	5280		18.00		18.00	
			60	5300		18.00		18.00	
			64	5320		18.00		18.00	
	802.11ax20/be20	MCS0	52	5260		18.00		18.00	
			56	5280		18.00		18.00	
			60	5300		18.00		18.00	
			64	5320		18.00		18.00	
	802.11n40	HT0	54	5270		18.00		18.00	
			62	5310		18.00		18.00	
	802.11ax40/be40	MCS0	54	5270		18.00		18.00	
			62	5310		18.00		18.00	
802.11ac80	VHT0	58	5290	18.00	18.00				
802.11ax80/be80	MCS0	58	5290	18.00	18.00				
802.11ac160	VHT0	50	5250	17.25	18.00	17.06	18.00	Yes	
802.11ac160-MIMO	VHT0	50	5250	14.25	15.00	14.06	15.00	Yes	
802.11ax160/be160	MCS0	50	5250	NR	18.00	NR	18.00	No	

Initial test configuration

1. NR: Not Required
2. The initial test configuration for 2.4 GHz and 5 GHz OFDM transmission modes is determined by the 802.11 configuration with the highest maximum output power specified for production units, including tune-up tolerance, in each standalone and aggregated frequency band. SAR for the initial test configuration is measured using the highest maximum output power channel determined by the default power measurement procedures. When multiple transmission modes (802.11 a/g/n/ac/ax) have the same specified maximum output power, largest channel bandwidth, lowest order modulation and lowest data rate, lowest order 802.11 mode is selected (i.e. a, g, n, ac then ax)
3. Additional conducted power measurement is required when reported SAR is > 1.2W/kg. In case the subsequent test configuration and the channel bandwidth is smaller than the initial test configuration, all channels that overlap with the larger channel bandwidth in the initial configuration should be tested.
4. When the reported SAR of the initial test configuration is > 0.8W/kg, SAR measurement is required for the subsequent next highest measured output power channel(s) in the initial test configuration until reported SAR is ≤1.2W/kg or all required channels are tested.
5. When the highest reported SAR for the initial test configuration (when applicable, include subsequent highest output channels), according to the initial test position or fixed exposure requirements, is adjusted by the ratio of the subsequent test configuration to the initial test configuration specified maximum output power and the adjusted SAR is ≤1.2 W/kg, SAR is not required for that subsequent test configuration.
6. SAR for subsequent highest measured maximum output power channels in the subsequent test configuration is required only when the reported SAR of the preceding higher maximum output power channel(s) in the subsequent test configuration is >1.2 W/kg or until all required channels are tested.

B.6.1.2 5.6 (U-NII-2C)

Band	Mode	Data Rate	Ch #	Freq (MHz)	Aux		Main		SAR Test?
					Avg Pwr (dBm)	Tune-up Pwr (dBm)	Avg Pwr (dBm)	Tune-up Pwr (dBm)	
5.6GHz (U-NII-2C)	802.11a	6Mbps	100	5500	NR	18.00	NR	18.00	No
			104	5520		18.00		18.00	
			108	5540		18.00		18.00	
			112	5560		18.00		18.00	
			116	5580		18.00		18.00	
			120	5600		18.00		18.00	
			124	5620		18.00		18.00	
			128	5640		18.00		18.00	
	802.11n20	HT0	100	5500		18.00		18.00	
			104	5520		18.00		18.00	
			108	5540		18.00		18.00	
			112	5560		18.00		18.00	
			116	5580		18.00		18.00	
			120	5600		18.00		18.00	
			124	5620		18.00		18.00	
			128	5640		18.00		18.00	
	802.11ax20/be20	MCS0	100	5500		18.00		18.00	
			104	5520		18.00		18.00	
			108	5540		18.00		18.00	
			112	5560		18.00		18.00	
			116	5580		18.00		18.00	
			120	5600		18.00		18.00	
			124	5620		18.00		18.00	
			128	5640		18.00		18.00	
	802.11n40	HT0	102	5510		18.00		18.00	
			110	5550		18.00		18.00	
			118	5590		18.00		18.00	
			126	5630		18.00		18.00	
	802.11ax40/be40	MCS0	102	5510		18.00		18.00	
			110	5550		18.00		18.00	
118			5590	18.00	18.00				
126			5630	18.00	18.00				
802.11ac80	VHT0	106	5530	18.00	18.00				
		122	5610	18.00	18.00				
802.11ax80/be80	MCS0	106	5530	18.00	18.00				
		122	5610	18.00	18.00				
802.11ac160	VHT0	114	5570	17.22	18.00	17.43	18.00		
802.11ac160-MIMO	VHT0	114	5570	14.22	15.00	14.43	15.00	Yes	
802.11ax160/be160	MCS0	114	5570	NR	18.00	NR	18.00	No	

Initial test configuration

1. NR: Not Required

2. When band gap channels between U-NII-2C and U-NII-3 band are supported channels in U-NII-2C band below 5.65 GHz are considered as one band and channels above 5.65 GHz, together with channels in 5.8 GHz U-NII-3 or §15.247 band, are considered as a separate band
3. Additional conducted power measurement is required when reported SAR is $> 1.2\text{W/kg}$. In case the subsequent test configuration and the channel bandwidth is smaller than the initial test configuration, all channels that overlap with the larger channel bandwidth in the initial configuration should be tested
4. The initial test configuration for 2.4 GHz and 5 GHz OFDM transmission modes is determined by the 802.11 configuration with the highest maximum output power specified for production units, including tune-up tolerance, in each standalone and aggregated frequency band. SAR for the initial test configuration is measured using the highest maximum output power channel determined by the default power measurement procedures. When multiple transmission modes (802.11a/g/n/ac/ax) have the same specified maximum output power, largest channel bandwidth, lowest order modulation and lowest data rate, lowest order 802.11 mode is selected (i.e. a, g, n, ac then ax)
5. When the reported SAR of the initial test configuration is $> 0.8\text{W/kg}$, SAR measurement is required for the subsequent next highest measured output power channel(s) in the initial test configuration until reported SAR is $\leq 1.2\text{W/kg}$ or all required channels are tested.
6. When the highest reported SAR for the initial test configuration (when applicable, include subsequent highest output channels), according to the initial test position or fixed exposure requirements, is adjusted by the ratio of the subsequent test configuration to the initial configuration specified maximum output power and the adjusted SAR is $\leq 1.2\text{ W/kg}$, SAR is not required for that subsequent test configuration.
7. SAR for subsequent highest measured maximum output power channels in the subsequent test configuration is required only when the reported SAR of the preceding higher maximum output power channel(s) in the subsequent test configuration is $> 1.2\text{ W/kg}$ or until all required channels are tested.

B.6.1.3 5.8GHz (U-NII-3)

Band	Mode	Data Rate	Ch #	Freq (MHz)	Aux		Main		SAR Test?			
					Avg Pwr (dBm)	Tune-up Pwr (dBm)	Avg Pwr (dBm)	Tune-up Pwr (dBm)				
5.6-5.8GHz (U-NII-3)	802.11a	6Mbps	132	5660	NR	18.00	NR	18.00	No			
			136	5680		18.00		18.00				
			140	5700		18.00		18.00				
			149	5745		18.00		18.00				
			153	5765		18.00		18.00				
			157	5785		18.00		18.00				
			161	5805		18.00		18.00				
			165	5825		18.00		18.00				
	802.11n20	HT0	132	5660		18.00		18.00				
			136	5680		18.00		18.00				
			140	5700		18.00		18.00				
			149	5745		18.00		18.00				
			153	5765		18.00		18.00				
			157	5785		18.00		18.00				
			161	5805		18.00		18.00				
			165	5825		18.00		18.00				
	802.11ax20 /be20	MCS0	132	5660		18.00		18.00				
			136	5680		18.00		18.00				
			140	5700		18.00		18.00				
			149	5745		18.00		18.00				
			153	5765		18.00		18.00				
			157	5785		18.00		18.00				
			161	5805		18.00		18.00				
			165	5825		18.00		18.00				
	802.11n40	HT0	134	5670		18.00		18.00				
			142	5710		18.00		18.00				
			151	5755		18.00		18.00				
			159	5795		18.00		18.00				
	802.11ax40 /be40	MCS0	134	5670		18.00		18.00				
			142	5710		18.00		18.00				
			151	5755		18.00		18.00				
			159	5795		18.00		18.00				
	802.11ac80	VHT0	138	5690		17.12		18.00		17.35	18.00	Yes
	802.11ac80 -MIMO	VHT0	138	5690		14.12		15.00		14.35	15.00	
	802.11ac80	VHT0	155	5775		17.25		18.00		17.29	18.00	
	802.11ax80 /be80	MCS0	138	5690		NR		18.00		NR	18.00	No
155			5775	18.00	18.00							

Initial test configuration

1. NR: Not Required
2. When band gap channels between U-NII-2C and U-NII-3 band are supported channels in U-NII-2C band below 5.65 GHz are considered as one band and channels above 5.65 GHz, together with channels in 5.8 GHz U-NII-3 or §15.247 band, are considered as a separate band
3. Additional conducted power measurement is required when reported SAR is > 1.2W/kg. In case the subsequent test configuration and the channel bandwidth is smaller than the initial test configuration, all channels that overlap with the larger channel bandwidth in the initial configuration should be tested
4. The initial test configuration for 2.4 GHz and 5 GHz OFDM transmission modes is determined by the 802.11 configuration with the highest maximum output power specified for production units, including tune-up tolerance, in each standalone and aggregated frequency band. SAR for the initial test configuration is measured using the highest maximum output power channel determined by the default power measurement procedures. When multiple transmission modes (802.11a/g/n/ac) have the same specified maximum output power, largest channel bandwidth, lowest order modulation and lowest data rate, lowest order 802.11 mode is selected (i.e. a, g, n, ac then ax)

5. When the reported SAR of the initial test configuration is > 0.8W/kg, SAR measurement is required for the subsequent next highest measured output power channel(s) in the initial test configuration until reported SAR is ≤1.2W/kg or all required channels are tested.
6. When the highest reported SAR for the initial test configuration (when applicable, include subsequent highest output channels), according to the initial test position or fixed exposure requirements, is adjusted by the ratio of the subsequent test configuration to the initial test configuration specified maximum output power and the adjusted SAR is ≤1.2 W/kg, SAR is not required for that subsequent test configuration.
7. SAR for subsequent highest measured maximum output power channels in the subsequent test configuration is required only when the reported SAR of the preceding higher maximum output power channel(s) in the subsequent test configuration is >1.2 W/kg or until all required channels are tested.

B.7 Bluetooth

Band	Mode	Data Rate	Channel	Frequency (MHz)	Antenna	Avg Pwr (dBm)	Tune-up Pwr (dBm)
2.4GHz	Bluetooth	Basic rate GFSK	0	2402	Aux	14.33	15.00
			39	2441		14.54	15.00
			78	2480		14.66	15.00
		Basic rate π/4 DQPSK	0	2402		NR ¹	15.00
			39	2441			15.00
			78	2480			15.00
		Basic rate 8-DPSK	0	2402			15.00
			39	2441			15.00
			78	2480			15.00
		Low energy GFSK	0	2412			15.00
			20	2442			15.00
			39	2480			15.00

Initial test configuration

1. NR: Not Required

B.8 Tissue Parameters Measurement

Body TSL

Freq. (MHz)	Target Parameters		Measured TSL Parameters		Deviation (%)		Date
	ϵ' (F/m)	σ (S/m)	ϵ' (F/m)	σ (S/m)	ϵ'	σ	
2450	52.70	1.95	52.71	2.01	0.02	3.08	2023-09-04
5300	48.88	5.42	47.78	5.43	-2.25	0.18	
5500	48.61	5.65	47.51	5.70	-2.26	0.88	
5600	48.47	5.77	47.39	5.83	-2.23	1.04	
5800	48.20	6.00	46.92	6.12	-2.66	2.00	

See Annex D for more details.

B.9 System Check Measurements

Body Measurements

Frequency (MHz)	Average	Target SAR (W/kg)	Measured SAR (W/kg)	Forwarded Power (mW)	Deviation to target (%)	Limit (%)	Date
2450	1g	48.90	50.20	50.00	2.66	±10	2023-09-04
	10g	23.20	23.40		0.86		
5300	1g	71.70	74.20	50.00	3.49		
	10g	20.00	21.40		7.00		
5600	1g	76.50	72.00	50.00	-5.88		
	10g	21.20	21.60		1.89		
5800	1g	73.40	70.20	50.00	-4.36		
	10g	20.00	20.20		1.00		

See Annex C for more details.

B.10 SAR Test Results

B.11 Bluetooth & 802.11b/g/n/ax/be – 2.4GHz – DTS – BT (DSS)

Ant.	Mode Data rate	BW (MHz)	Ch #	Freq (MHz)	Position	Correct. Factor (dB)	SAR 1g (W/kg)	Reported SAR 1g (W/kg)	Plot #
Aux	802.15 DH5	1	78	2480	Front face	0.34	0.29	0.31	
					Back face	0.34	0.26	0.28	
					Top edge	0.34	0.02	0.02	
					Right edge	0.34	0.03	0.03	
					Left edge	0.34	0.01	0.01	
Main	802.11b 1Mbps	20	1	2412	Front face	0.27	0.74	0.78	1
					Back face	0.27	0.52	0.56	
					Top edge	0.27	0.02	0.02	
					Right edge	0.27	0.10	0.11	
					Left edge	0.27	0.05	0.06	
Aux	802.11b 1Mbps	20	6	2437	Front face	0.25	0.67	0.71	
					Back face	0.25	0.51	0.54	
					Top edge	0.25	0.02	0.02	
					Right edge	0.25	0.11	0.11	
					Left edge	0.25	0.05	0.05	

B.12 802.11a/n/ac/ax/be – 5.3 GHz – U-NII-2A

Ant.	Mode Data rate	BW (MHz)	Ch #	Freq (MHz)	Position	Correct. Factor (dB)	SAR 1g (W/kg)	Reported SAR 1g (W/kg)	Plot #
Main	802.11ac VHT0	160	50	5250	Front face	0.94	0.50	0.62	
	802.11ac VHT0-MIMO	160	50	5250		0.94	0.25	0.31	
	802.11ac VHT0	160	50	5250	Back face	0.94	0.45	0.46	
					Top edge	0.94	0.18	0.22	
					Right edge	0.94	0.22	0.27	
					Left edge	0.94	0.08	0.10	
Aux	802.11acVHT0	160	50	5250	Front face	0.75	0.63	0.75	2
	802.11ac VHT0-MIMO	160	50	5250		0.75	0.29	0.34	
	802.11ac VHT0	160	50	5250	Back face	0.75	0.51	0.61	
					Top edge	0.75	0.18	0.21	
					Right edge	0.75	0.25	0.29	
					Left edge	0.75	0.10	0.11	

B.13 802.11a/n/ac/ax/be – 5.6 GHz – U-NII-2C

Ant.	Mode Data rate	BW (MHz)	Ch #	Freq (MHz)	Position	Correct. Factor (dB)	SAR 1g (W/kg)	Reported SAR 1g (W/kg)	Plot #
Main	802.11acVHT0	160	114	5570	Front face	0.57	0.69	0.79	3
					Back face	0.57	0.63	0.72	
	802.11acVHT0-MIMO	160	114	5570	Back face	0.57	0.34	0.39	
	802.11acVHT0	160	114	5570	Top edge	0.57	0.26	0.29	
					Right edge	0.57	0.30	0.34	
					Left edge	0.57	0.11	0.13	
Aux	802.11acVHT0	160	114	5570	Front face	0.78	0.60	0.72	
					Back face	0.78	0.61	0.73	
	802.11acVHT0-MIMO	160	114	5570	Back face	0.78	0.28	0.34	
	802.11acVHT0	160	114	5570	Top edge	0.78	0.24	0.29	
					Right edge	0.78	0.31	0.37	
					Left edge	0.78	0.11	0.13	

B.14 802.11a/n/ac/ax/be – 5.8 GHz – U-NII-3

Ant.	Mode Data rate	BW (MHz)	Ch #	Freq (MHz)	Position	Correct. Factor (dB)	SAR 1g (W/kg)	Reported SAR 1g (W/kg)	Plot #
Main	802.11ac VHT0	80	138	5690	Front face	0.65	0.68	0.79	4
						802.11ac VHT0-MIMO	80	138	5690
	802.11ac VHT0	80	138	5690	Back face	0.65	0.61	0.71	
					Top edge	0.65	0.25	0.29	
					Right edge	0.65	0.30	0.35	
					Left edge	0.65	0.12	0.14	
Aux	802.11ac VHT0	80	155	5775	Front face	0.75	0.62	0.74	
						802.11ac VHT0-MIMO	80	138	5690
	802.11ac VHT0	80	155	5775	Back face	0.75	0.53	0.63	
					Top edge	0.75	0.17	0.20	
					Right edge	0.75	0.28	0.33	
					Left edge	0.75	0.11	0.13	

B.15 SAR Measurement Variability

According to FCC OET KDB 865664, SAR Measurement variability is assessed when the maximum initial measured SAR is ≥ 0.8 W/kg for a certain band/mode.

As all measured SAR results are below 0.8W/kg, therefore SAR variability is not required.

B.16 Simultaneous Transmission SAR Evaluation

According to FCC OET KDB 447498, when the sum of 1g SAR for all simultaneously transmitting antennas in an operating mode and exposure condition combination is within the SAR limit, SAR test exclusion applies to that simultaneous transmission configuration.

All the values stated in the table below are the worst case found for standalone measurement with disregard of the transmission mode or channel where the worst case was found

Antenna	Position	Highest Reported SAR (1g) (W/kg)			
		WLAN 2.4GHz	WLAN 5GHz	Bluetooth	
Aux	Front face	0.71	0.75**	0.34*	0.31
	Back Face	0.54	0.73**	0.34*	0.28
	Top edge	0.02	0.29		0.02
	Right edge	0.11	0.37		0.03
	Left edge	0.05	0.13		0.01
Main	Front face	0.78	0.79**	0.39*	
	Back Face	0.56	0.72**	0.39*	
	Top edge	0.02	0.29		
	Right edge	0.11	0.35		
	Left edge	0.06	0.14		

* CH 50, CH114 and 138 are considered for this position as the highest standalone measurement on UNII-2A, UNII-2C and UNII-3 for Aux and Main transmitters for the simultaneous transmission with MIMO power.

** This combination requires SISO value for simultaneous considerations

Position	Simultaneous Tx Antenna Combination		Σ SAR 1g (W/kg)	Limit (W/kg)
	Aux	Main		
Front Face	WLAN 5GHz	WLAN 5GHz	0.73	1.6
	WLAN 5GHz + BT	WLAN 5GHz	1.04	
	BT	WLAN 5GHz	0.70	
	WLAN 2.4GHz	WLAN 2.4GHz	1.49	
	BT	WLAN 2.4GHz	1.09	
Back Face	WLAN 5GHz	WLAN 5GHz	0.73	
	WLAN 5GHz + BT	WLAN 5GHz	1.01	
	BT	WLAN 5GHz	0.67	
	WLAN 2.4GHz	WLAN 2.4GHz	1.10	
	BT	WLAN 2.4GHz	0.84	
Top Edge	WLAN 5GHz	WLAN 5GHz	0.58	
	WLAN 5GHz + BT	WLAN 5GHz	0.60	
	BT	WLAN 5GHz	0.31	
	WLAN 2.4GHz	WLAN 2.4GHz	0.04	
	BT	WLAN 2.4GHz	0.04	
Right Edge	WLAN 5GHz	WLAN 5GHz	0.72	
	WLAN 5GHz + BT	WLAN 5GHz	0.75	
	BT	WLAN 5GHz	0.38	
	WLAN 2.4GHz	WLAN 2.4GHz	0.22	
	BT	WLAN 2.4GHz	0.14	
Left edge	WLAN 5GHz	WLAN 5GHz	0.27	
	WLAN 5GHz + BT	WLAN 5GHz	0.28	
	BT	WLAN 5GHz	0.15	
	WLAN 2.4GHz	WLAN 2.4GHz	0.11	
	BT	WLAN 2.4GHz	0.07	

Considering the results described above and according to the simultaneous transmission SAR test exclusion considerations described in FCC OET KDB 447498, no SAR to Peak Location Separation Ratio is required.

Annex C. Test System Plots

1. DTS - 802.11b, CH1, Main Antenna – Front face	39
2. U-NII-2A - 802.11ac160, CH50, Aux Antenna – Front face	40
3. U-NII-2C - 802.11ac160, CH114, Main Antenna –Front face	41
4. U-NII-3 - 802.11ac80, CH138, Main Antenna –Front face.....	42
5. System Check Body Liquid 2450MHz	43
6. System Check Body Liquid 5300MHz	44
7. System Check Body Liquid 5600MHz	45
8. System Check Body Liquid 5800MHz	46

1. DTS - 802.11b, CH1, Main Antenna – Front face

Device under Test Properties

Model, Manufacturer	Dimensions [mm]	IMEI	DUT Type
BE200D2W	37.0 x 62.0 x 2.0	04E8B963C3A1	WLAN module + Reference antenna

Exposure Conditions

Phantom Section, TSL	Position, Test Distance [mm]	Band	Group, UID	Frequency [MHz], Channel Number	Conversion Factor	TSL Conductivity [S/m]	TSL Permittivity
Flat, MSL	FRONT, 11.00	WLAN 2.4GHz	WLAN, 10415-AAA	2412.0, 1	7.75	1.97	52.8

Hardware Setup

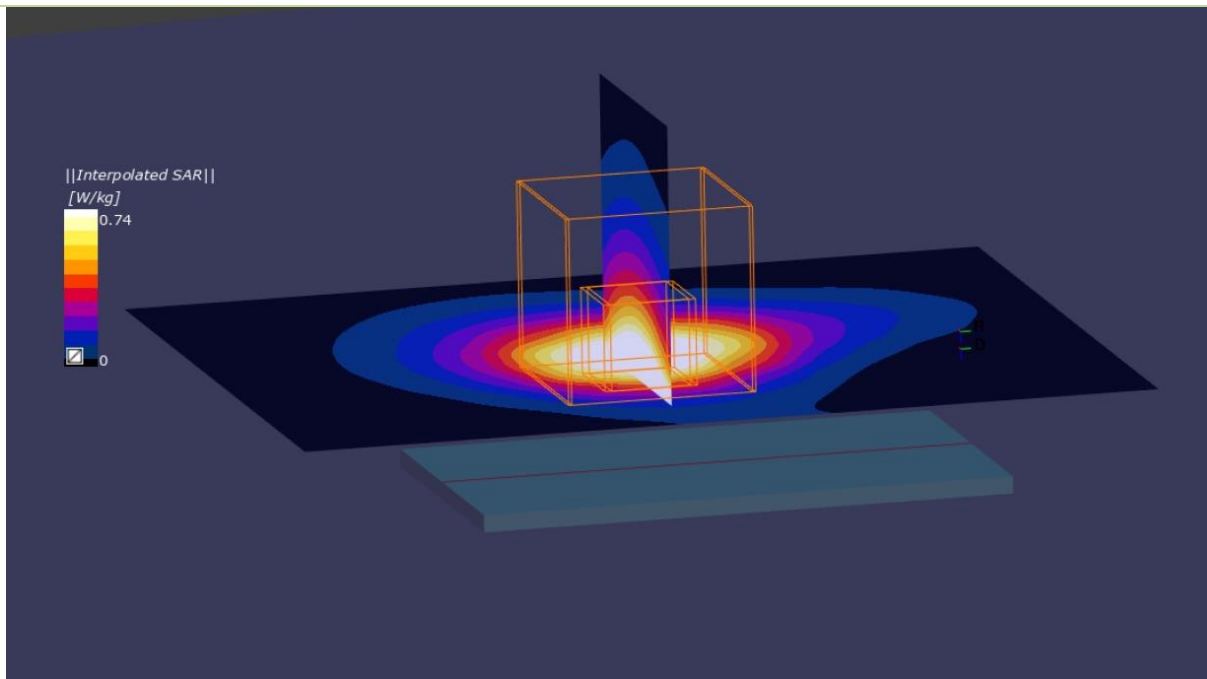
Phantom	TSL, Measured Date	Probe, Calibration Date	DAE, Calibration Date
ELI V8.0 (20deg probe tilt)	MABL-600-6000, 2023-Sep-04	EX3DV4 - SN7465, 2023-07-11	DAE4ip Sn1706, 2023-07-07

Scan Setup

	Area Scan	Zoom Scan
Grid Extents [mm]	80.0 x 100.0	30.0 x 30.0 x 30.0
Grid Steps [mm]	10.0 x 10.0	5.0 x 5.0 x 1.5
Sensor Surface [mm]	3.0	1.4
Graded Grid	Yes	Yes
Grading Ratio	1.5	1.5
MAIA	Confirmed by MAIA	Confirmed by MAIA
Surface Detection	VMS + 6p	VMS + 6p
Scan Method	Measured	Measured

Measurement Results

	Area Scan	Zoom Scan
Date	2023-09-04, 17:26	2023-09-04, 17:34
psSAR1g [W/kg]	0.704	0.736
psSAR10g [W/kg]	0.357	0.381
Power Drift [dB]	-0.03	0.01
Power Scaling	Disabled	Disabled
Scaling Factor		
TSL Correction	Positive Only	Positive Only
M2/M1 [%]		76.4
Dist 3dB Peak [mm]		12.8



2. U-NII-2A - 802.11ac160, CH50, Aux Antenna – Front face

Device under Test Properties

Model, Manufacturer	Dimensions [mm]	IMEI	DUT Type
BE200D2W	37.0 x 62.0 x 2.0	04E8B963C3A1	WLAN module + Reference antenna

Exposure Conditions

Phantom Section, TSL	Position, Test Distance [mm]	Band	Group, UID	Frequency [MHz], Channel Number	Conversion Factor	TSL Conductivity [S/m]	TSL Permittivity
Flat, MSL	FRONT, 11.00	WLAN 5GHz	WLAN, 10456-AAC	5250.0, 50	4.94	5.35	47.9

Hardware Setup

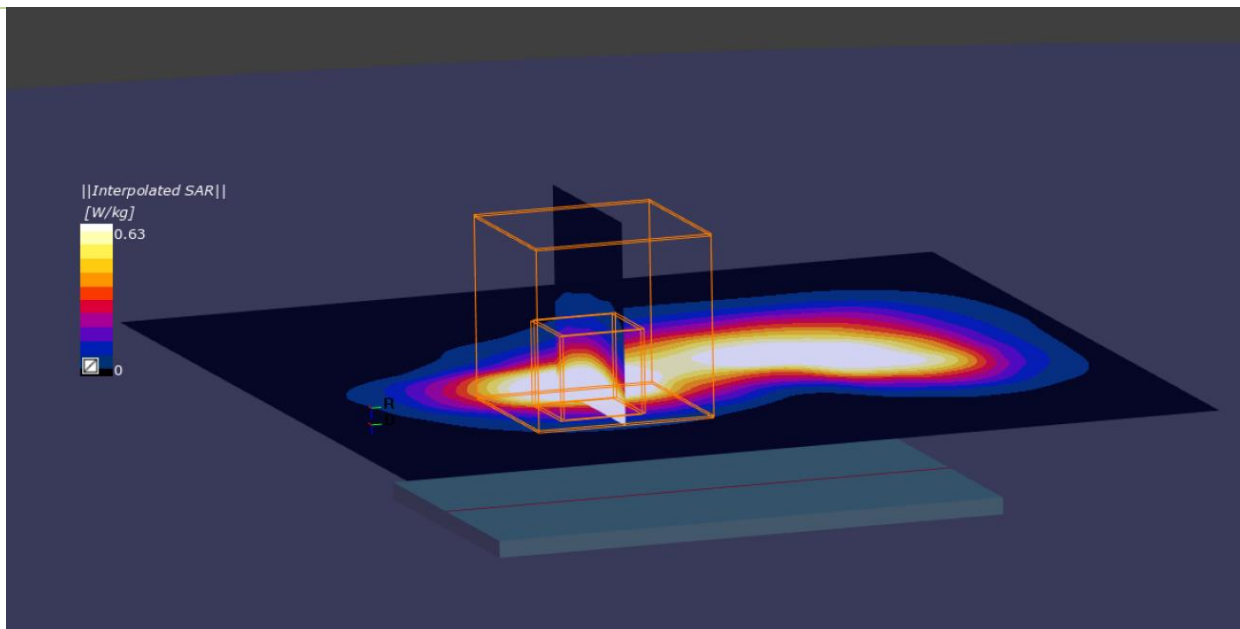
Phantom	TSL, Measured Date	Probe, Calibration Date	DAE, Calibration Date
ELI V8.0 (20deg probe tilt)	MBBL-600-6000, 2023-Sep-04	EX3DV4 - SN7465, 2023-07-11	DAE4ip Sn1706, 2023-07-07

Scan Setup

	Area Scan	Zoom Scan
Grid Extents [mm]	100.0 x 100.0	22.0 x 22.0 x 22.0
Grid Steps [mm]	10.0 x 10.0	4.0 x 4.0 x 1.4
Sensor Surface [mm]	3.0	1.4
Graded Grid	Yes	Yes
Grading Ratio	1.5	1.4
MAIA	Confirmed by MAIA	Confirmed by MAIA
Surface Detection	VMS + 6p	VMS + 6p
Scan Method	Measured	Measured

Measurement Results

	Area Scan	Zoom Scan
Date	2023-09-04, 12:53	2023-09-04, 13:01
psSAR1g [W/kg]	0.611	0.634
psSAR10g [W/kg]	0.233	0.234
Power Drift [dB]	-0.09	-0.14
Power Scaling	Disabled	Disabled
Scaling Factor		
TSL Correction	Positive Only	Positive Only
M2/M1 [%]		64.9
Dist 3dB Peak [mm]		12.2



3. U-NII-2C - 802.11ac160, CH114, Main Antenna –Front face

Device under Test Properties

Model, Manufacturer	Dimensions [mm]	IMEI	DUT Type
BE200D2W	37.0 x 62.0 x 2.0	04E8B963C3A1	WLAN module + Reference antenna

Exposure Conditions

Phantom Section, TSL	Position, Test Distance [mm]	Band	Group, UID	Frequency [MHz], Channel Number	Conversion Factor	TSL Conductivity [S/m]	TSL Permittivity
Flat, MSL	FRONT, 11.00	WLAN 5GHz	WLAN, 10456-AAC	5570.0, 114	4.17	5.79	47.4

Hardware Setup

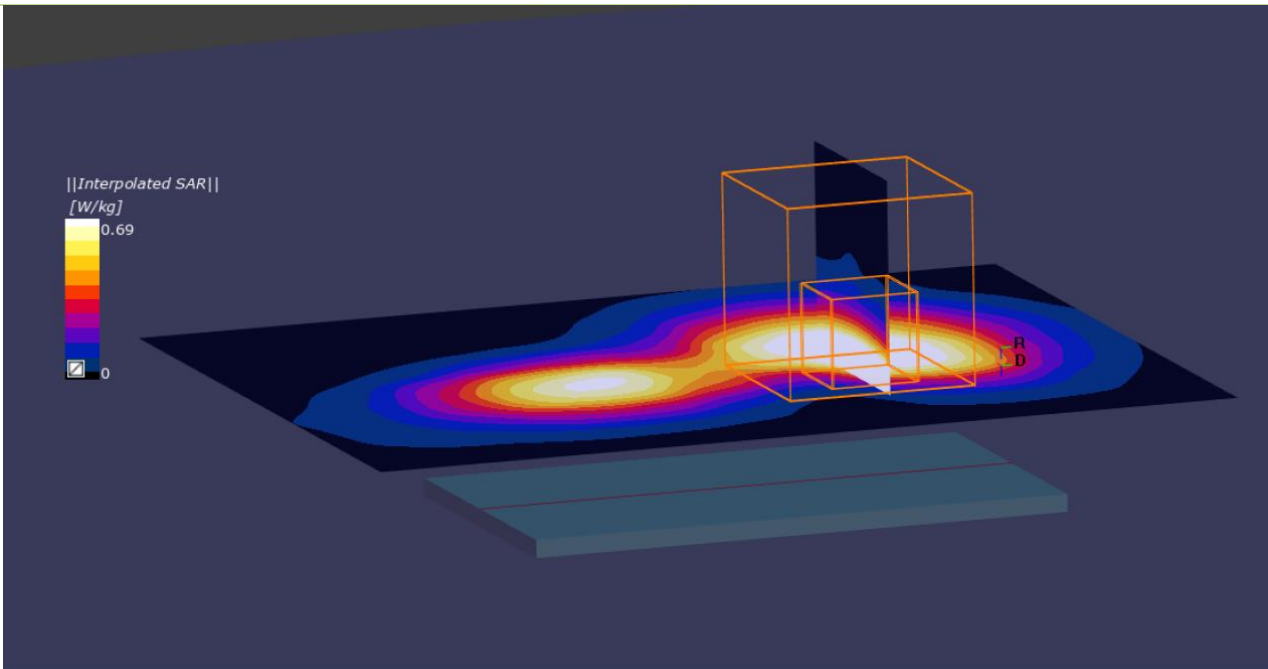
Phantom	TSL, Measured Date	Probe, Calibration Date	DAE, Calibration Date
ELI V8.0 (20deg probe tilt)	MBBL-600-6000, 2023-Sep-04	EX3DV4 - SN7465, 2023-07-11	DAE4ip Sn1706, 2023-07-07

Scan Setup

	Area Scan	Zoom Scan
Grid Extents [mm]	80.0 x 100.0	22.0 x 22.0 x 22.0
Grid Steps [mm]	10.0 x 10.0	4.0 x 4.0 x 1.4
Sensor Surface [mm]	3.0	1.4
Graded Grid	Yes	Yes
Grading Ratio	1.5	1.4
MAIA	Confirmed by MAIA	Confirmed by MAIA
Surface Detection	VMS + 6p	VMS + 6p
Scan Method	Measured	Measured

Measurement Results

	Area Scan	Zoom Scan
Date	2023-09-04, 17:04	2023-09-04, 17:12
psSAR1g [W/kg]	0.623	0.688
psSAR10g [W/kg]	0.252	0.289
Power Drift [dB]	-0.03	0.06
Power Scaling	Disabled	Disabled
Scaling Factor		
TSL Correction [dB]	Positive Only	Positive Only
M2/M1 [%]		59.1
Dist 3dB Peak [mm]		10.4



4. U-NII-3 - 802.11ac80, CH138, Main Antenna –Front face

Device under Test Properties

Model, Manufacturer	Dimensions [mm]	IMEI	DUT Type
BE200D2W	37.0 x 62.0 x 2.0	04E8B963C3A1	WLAN module + Reference antenna

Exposure Conditions

Phantom Section, TSL	Position, Test Distance [mm]	Band	Group, UID	Frequency [MHz], Channel Number	Conversion Factor	TSL Conductivity [S/m]	TSL Permittivity
Flat, MSL	FRONT, 11.00	WLAN 5GHz	WLAN, 10402-AAE	5690.0, 138	4.17	5.96	47.2

Hardware Setup

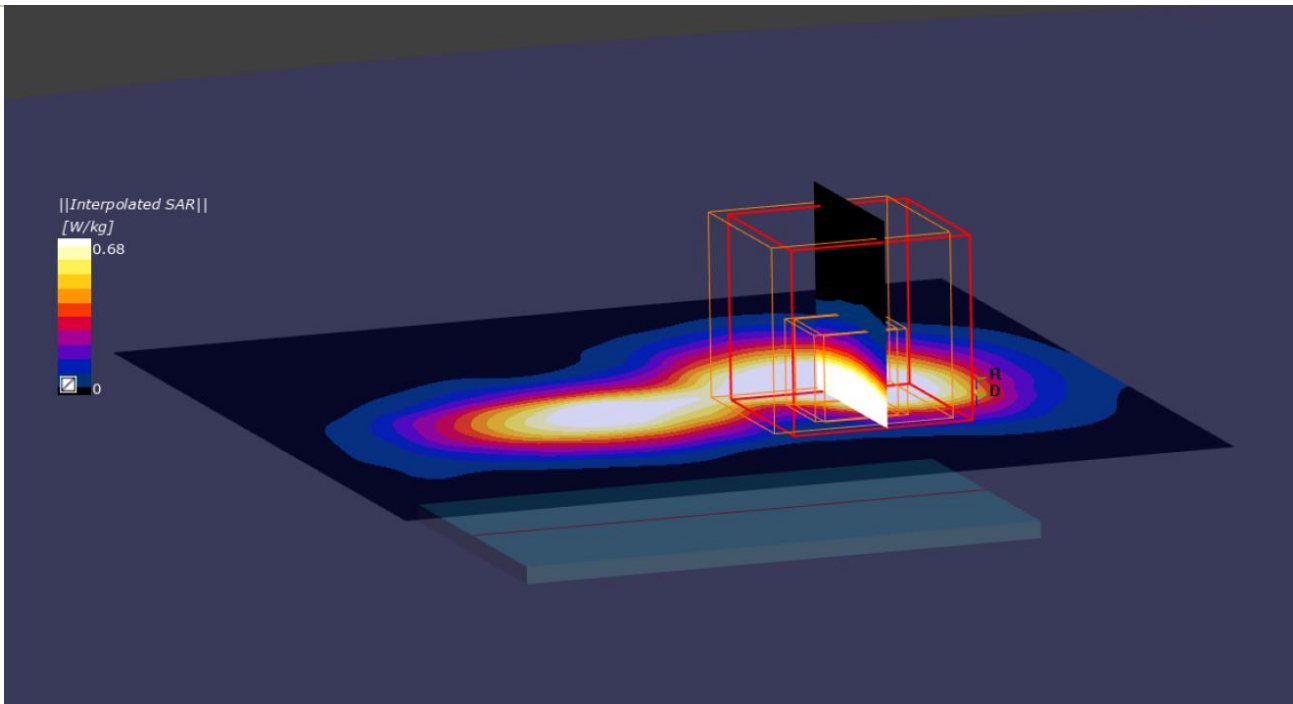
Phantom	TSL, Measured Date	Probe, Calibration Date	DAE, Calibration Date
ELI V8.0 (20deg probe tilt)	MBBL-600-6000, 2023-Sep-04	EX3DV4 - SN7465, 2023-07-11	DAE4ip Sn1706, 2023-07-07

Scan Setup

	Area Scan	Zoom Scan
Grid Extents [mm]	100.0 x 100.0	22.0 x 22.0 x 22.0
Grid Steps [mm]	10.0 x 10.0	4.0 x 4.0 x 1.4
Sensor Surface [mm]	3.0	1.4
Graded Grid	Yes	Yes
Grading Ratio	1.5	1.4
MAIA	Confirmed by MAIA	Confirmed by MAIA
Surface Detection	VMS + 6p	VMS + 6p
Scan Method	Measured	Measured

Measurement Results

	Area Scan	Zoom Scan
Date	2023-09-04, 16:02	2023-09-04, 16:10
psSAR1g [W/kg]	0.681	0.676
psSAR10g [W/kg]	0.271	0.276
Power Drift [dB]	0.10	0.19
Power Scaling	Disabled	Disabled
Scaling Factor		
TSL Correction	Positive Only	Positive Only
M2/M1 [%]		60.2
Dist 3dB Peak [mm]		10.4



5. System Check Body Liquid 2450MHz

Device under Test Properties

Model, Manufacturer	Dimensions [mm]	IMEI	DUT Type
D2450GHzV2 , SPEAG	50.0 x 10.0 x 15.0	937	Validation Dipole

Exposure Conditions

Phantom Section, TSL	Position, Test Distance [mm]	Band	Group, UID	Frequency [MHz], Channel Number	Conversion Factor	TSL Conductivity [S/m]	TSL Permittivity
Flat, MSL	,		, 0--	2450.0, 0	7.75	2.01	52.7

Hardware Setup

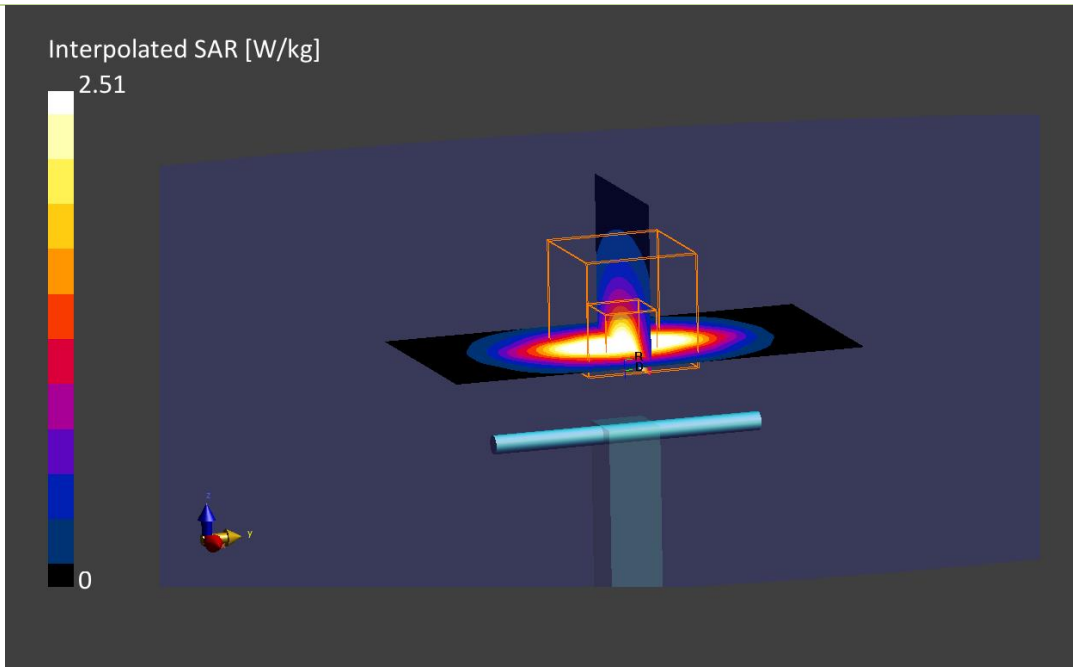
Phantom	TSL, Measured Date	Probe, Calibration Date	DAE, Calibration Date
ELI V8.0 (20deg probe tilt)	MBBL-600-6000, 2023-Sep-04	EX3DV4 - SN7465, 2023-07-11	DAE4ip Sn1706, 2023-07-07

Scan Setup

	Area Scan	Zoom Scan
Grid Extents [mm]	40.0 x 80.0	30.0 x 30.0 x 30.0
Grid Steps [mm]	10.0 x 10.0	5.0 x 5.0 x 1.5
Sensor Surface [mm]	3.0	1.4
Graded Grid	Yes	Yes
Grading Ratio	1.5	1.5
MAIA	Confirmed by MAIA	Confirmed by MAIA
Surface Detection	VMS + 6p	VMS + 6p
Scan Method	Measured	Measured

Measurement Results

	Area Scan	Zoom Scan
Date	2023-09-04, 11:18	2023-09-04, 11:24
psSAR1g [W/kg]	2.48	2.51
psSAR10g [W/kg]	1.13	1.17
Power Drift [dB]	-0.03	-0.15
Power Scaling	Disabled	Disabled
Scaling Factor [dB]		
TSL Correction	Positive Only	Positive Only
M2/M1 [%]		76.9
Dist 3dB Peak [mm]		8.5



6. System Check Body Liquid 5300MHz

Device under Test Properties

Model, Manufacturer	Dimensions [mm]	IMEI	DUT Type
D5GHzV2 , SPEAG	50.0 x 10.0 x 15.0	1164	Validation Dipole

Exposure Conditions

Phantom Section, TSL	Position, Test Distance [mm]	Band	Group, UID	Frequency [MHz], Channel Number	Conversion Factor	TSL Conductivity [S/m]	TSL Permittivity
Flat, MSL	,		, 0--	5300.0, 0	4.79	5.43	47.8

Hardware Setup

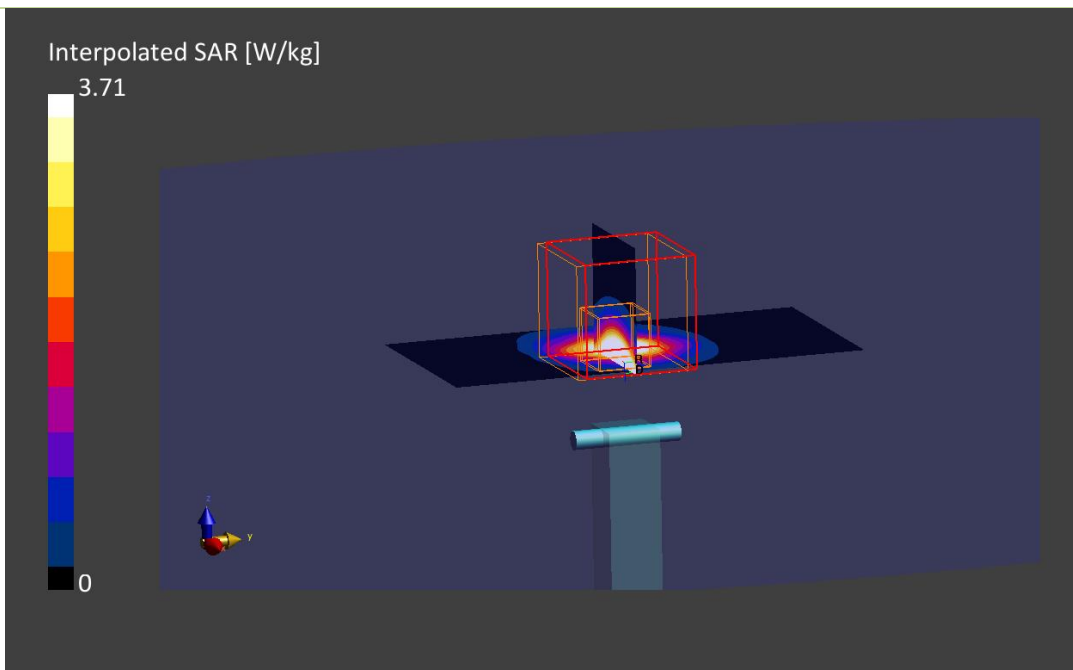
Phantom	TSL, Measured Date	Probe, Calibration Date	DAE, Calibration Date
ELI V8.0 (20deg probe tilt)	MBBL-600-6000, 2023-Sep-04	EX3DV4 - SN7465, 2023-07-11	DAE4ip Sn1706, 2023-07-07

Scan Setup

	Area Scan	Zoom Scan
Grid Extents [mm]	40.0 x 80.0	22.0 x 22.0 x 22.0
Grid Steps [mm]	10.0 x 10.0	4.0 x 4.0 x 1.4
Sensor Surface [mm]	3.0	1.4
Graded Grid	Yes	Yes
Grading Ratio	1.5	1.4
MAIA	Confirmed by MAIA	Confirmed by MAIA
Surface Detection	VMS + 6p	VMS + 6p
Scan Method	Measured	Measured

Measurement Results

	Area Scan	Zoom Scan
Date	2023-09-04, 10:35	2023-09-04, 10:41
psSAR1g [W/kg]	3.35	3.71
psSAR10g [W/kg]	0.968	1.07
Power Drift [dB]	-0.07	-0.19
Power Scaling	Disabled	Disabled
Scaling Factor [dB]		
TSL Correction	Positive Only	Positive Only
M2/M1 [%]		63.6
Dist 3dB Peak [mm]		7.4



7. System Check Body Liquid 5600MHz

Device under Test Properties

Model, Manufacturer	Dimensions [mm]	IMEI	DUT Type
D5GHzV2 , SPEAG	50.0 x 10.0 x 15.0	1164	Validation Dipole

Exposure Conditions

Phantom Section, TSL	Position, Test Distance [mm]	Band	Group, UID	Frequency [MHz], Channel Number	Conversion Factor	TSL Conductivity [S/m]	TSL Permittivity
Flat, MSL	,		, 0--	5600.0, 0	4.17	5.83	47.4

Hardware Setup

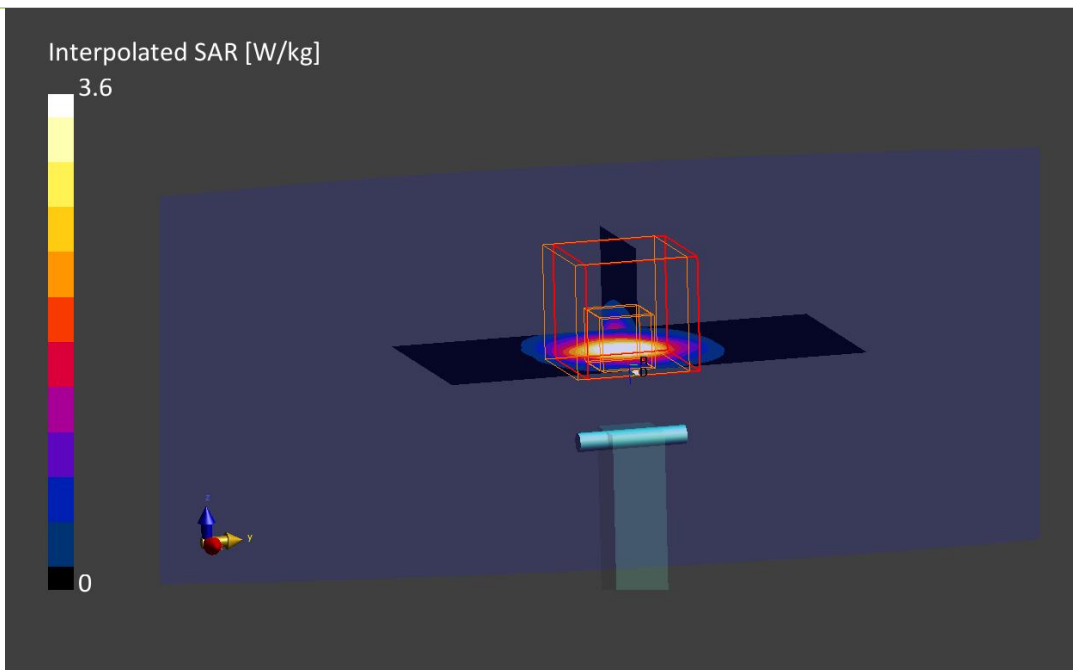
Phantom	TSL, Measured Date	Probe, Calibration Date	DAE, Calibration Date
ELI V8.0 (20deg probe tilt)	MBBL-600-6000, 2023-Sep-04	EX3DV4 - SN7465, 2023-07-11	DAE4ip Sn1706, 2023-07-07

Scan Setup

	Area Scan	Zoom Scan
Grid Extents [mm]	40.0 x 80.0	22.0 x 22.0 x 22.0
Grid Steps [mm]	10.0 x 10.0	4.0 x 4.0 x 1.4
Sensor Surface [mm]	3.0	1.4
Graded Grid	Yes	Yes
Grading Ratio	1.5	1.4
MAIA	Confirmed by MAIA	Confirmed by MAIA
Surface Detection	VMS + 6p	VMS + 6p
Scan Method	Measured	Measured

Measurement Results

	Area Scan	Zoom Scan
Date	2023-09-04, 11:04	2023-09-04, 11:10
psSAR1g [W/kg]	3.23	3.60
psSAR10g [W/kg]	0.958	1.08
Power Drift [dB]	0.08	-0.17
Power Scaling	Disabled	Disabled
Scaling Factor [dB]		
TSL Correction	Positive Only	Positive Only
M2/M1 [%]		60.4
Dist 3dB Peak [mm]		7.9



8. System Check Body Liquid 5800MHz

Device under Test Properties

Model, Manufacturer	Dimensions [mm]	IMEI	DUT Type
D5GHzV2 , SPEAG	50.0 x 10.0 x 15.0	1164	Validation Dipole

Exposure Conditions

Phantom Section, TSL	Position, Test Distance [mm]	Band	Group, UID	Frequency [MHz], Channel Number	Conversion Factor	TSL Conductivity [S/m]	TSL Permittivity
Flat, MSL	,		, 0--	5800.0, 0	4.25	6.12	46.9

Hardware Setup

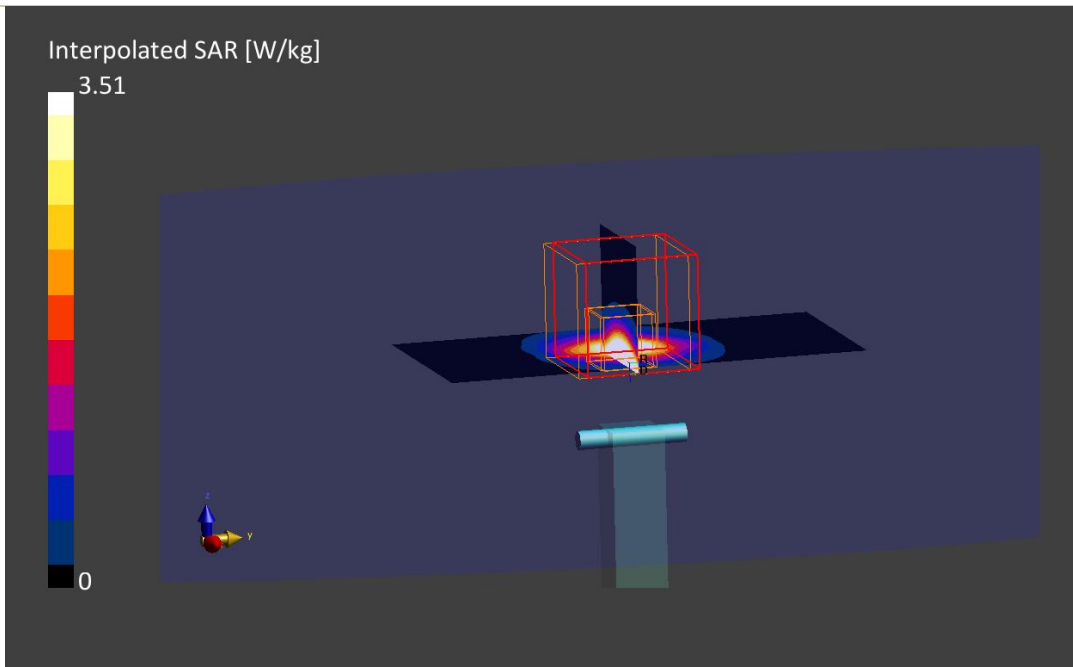
Phantom	TSL, Measured Date	Probe, Calibration Date	DAE, Calibration Date
ELI V8.0 (20deg probe tilt)	MBBL-600-6000, 2023-Sep-04	EX3DV4 - SN7465, 2023-07-11	DAE4ip Sn1706, 2023-07-07

Scan Setup

	Area Scan	Zoom Scan
Grid Extents [mm]	40.0 x 80.0	22.0 x 22.0 x 22.0
Grid Steps [mm]	10.0 x 10.0	4.0 x 4.0 x 1.4
Sensor Surface [mm]	3.0	1.4
Graded Grid	Yes	Yes
Grading Ratio	1.5	1.4
MAIA	Confirmed by MAIA	Confirmed by MAIA
Surface Detection	VMS + 6p	VMS + 6p
Scan Method	Measured	Measured

Measurement Results

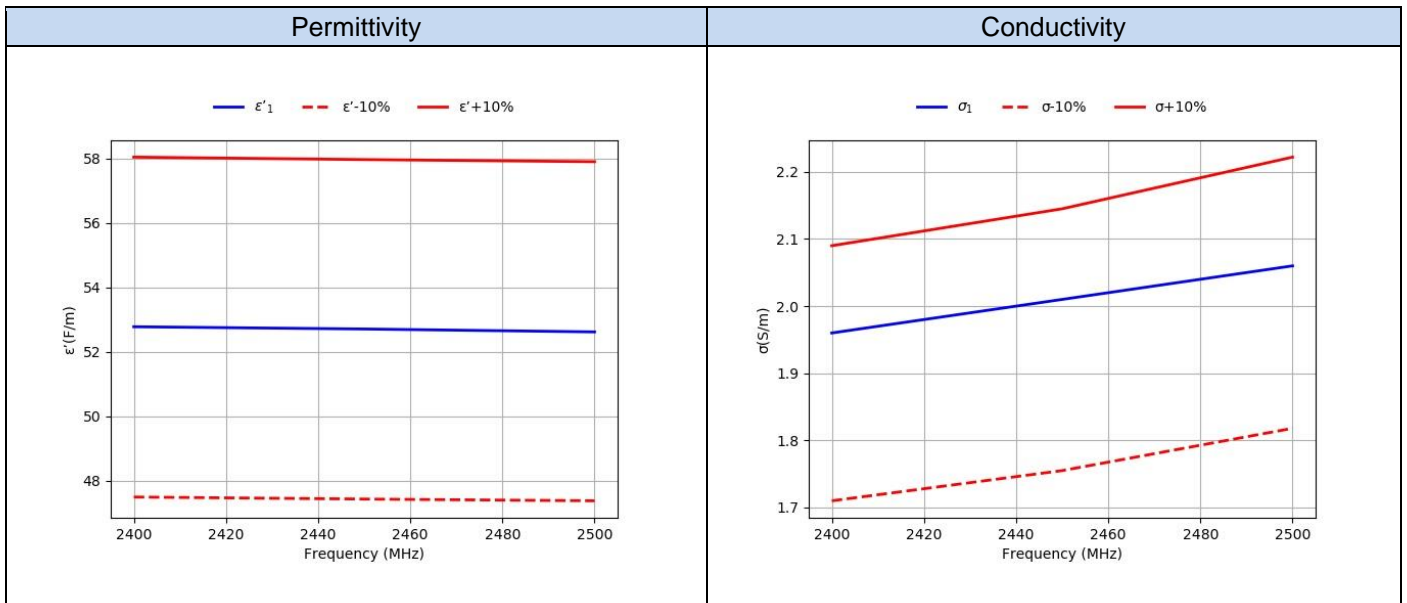
	Area Scan	Zoom Scan
Date	2023-09-04, 10:53	2023-09-04, 10:58
psSAR1g [W/kg]	3.16	3.51
psSAR10g [W/kg]	0.914	1.01
Power Drift [dB]	-0.15	-0.12
Power Scaling	Disabled	Disabled
Scaling Factor [dB]		
TSL Correction	Positive Only	Positive Only
M2/M1 [%]		58.1
Dist 3dB Peak [mm]		7.6



Annex D. TSL Dielectric Parameters

D.1 400Body DTS 2450MHz

Freq.(MHz)	Target		Measured 2023-09-04	
	ϵ' (F/m)	σ (S/m)	$\epsilon'1$ (F/m)	$\sigma1$ (S/m)
2400	52.77	1.90	52.78	1.96
2450	52.70	1.95	52.71	2.01
2500	52.64	2.02	52.62	2.06



D.2 Body 5200MHz-5800MHz

Freq.(MHz)	Target		Measured 2023-09-04	
	ϵ' (F/m)	σ (S/m)	$\epsilon'2$ (F/m)	$\sigma2$ (S/m)
5200.0	49.01	5.30	47.95	5.27
5250.0	48.95	5.36	47.86	5.35
5300.0	48.88	5.42	47.78	5.43
5350.0	48.81	5.47	47.70	5.51
5400.0	48.74	5.53	47.62	5.58
5450.0	48.67	5.59	47.56	5.64
5500.0	48.61	5.65	47.51	5.70
5550.0	48.54	5.71	47.46	5.76
5600.0	48.47	5.77	47.39	5.83
5650.0	48.4	5.82	47.29	5.90
5700.0	48.34	5.88	47.17	5.98
5750.0	48.27	5.94	47.06	6.05
5800.0	48.2	6.00	46.92	6.12

