

ANTENNA INFORMATION

OEM	Intel
ODM	
Platform model name	
Intel platform (ex: Yes, No or NA)	
Platform type (ex: regular NB, convertible PC, AIO...etc)	Intel 6E Dipole reference antenna
SAR minimum separation (mm)	

Antenna manufacturer	WIESON
Address	15F., No.237, Sec.1, Datong Rd., Xizhi Dist., New Taipei City, Taiwan
Antenna Part number	Main/Aux: ARY121-0009-002-H0
Antenna type (ex: PIFA, Dipole...etc)	Dipole

Antenna Peak gain w/ cable loss (dBi)*										
	2.4GHz 2400-2483.5 MHz	5.2GHz 5150-5250MHz	5.3GHz 5250-5350MHz	5.6GHz 5470-5725MHz	5.8GHz 5725-5850MHz	5.9GHz 5850-5895MHz	6.2GHz 5925-6425MHz	6.5GHz 6425-6525MHz	6.7GHz 6525-6875MHz	7.0 GHz 6875-7125MHz
Main/ Aux	2.95	4.03	4.11	5.15	5.13	4.45	5.02	4.71	4.49	4.96

Cable Assembly Part Number and Information					
	Cable PN	Cable length(cm)	Cable diameter(mm)	Impedance(ohm)	Connector type
Main/ Aux	AR9851-0009-005-H0	12±0.5	1.13	50	SMA to MHF Plug

* 3D Antenna Peak Gain required being test in system basis.

Table of Contents

Cover page	1
1. Document Revision History	3
2. Test & System Description	
2.1 Measurement Method and System.....	4
2.2 Test setup.....	4
2.3 Equipment list.....	4
4. Radiation characteristics of antenna loaded in Host Platform	5
Annex A. Photographs	
A.1 Setup Photo.....	8
A.2 Test sample.....	9

1. Document Revision History

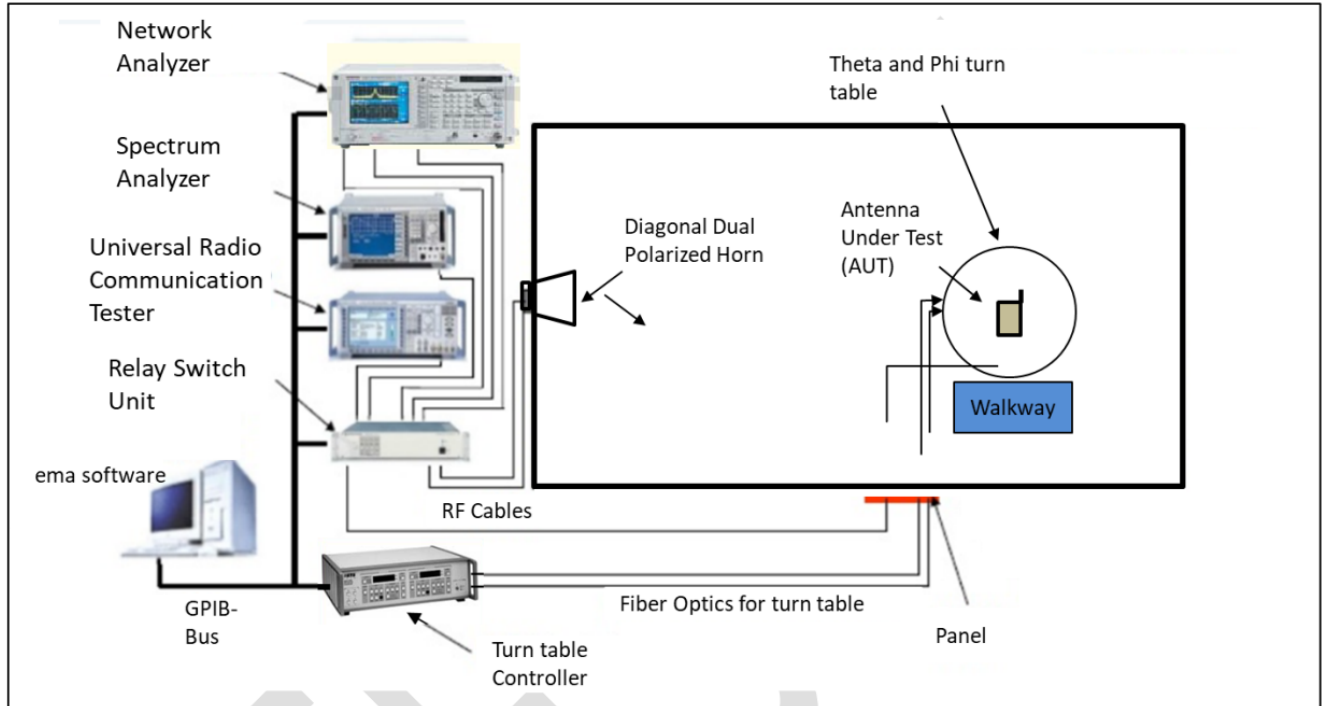
Revision #	Revision Details	Issued Date
Rev. 00	First Issue	2023.07.24

2. Test & System Description

2.1 Measurement Method and System

Measurement was performed with a Full Anechoic Chamber

2.2 Test setup



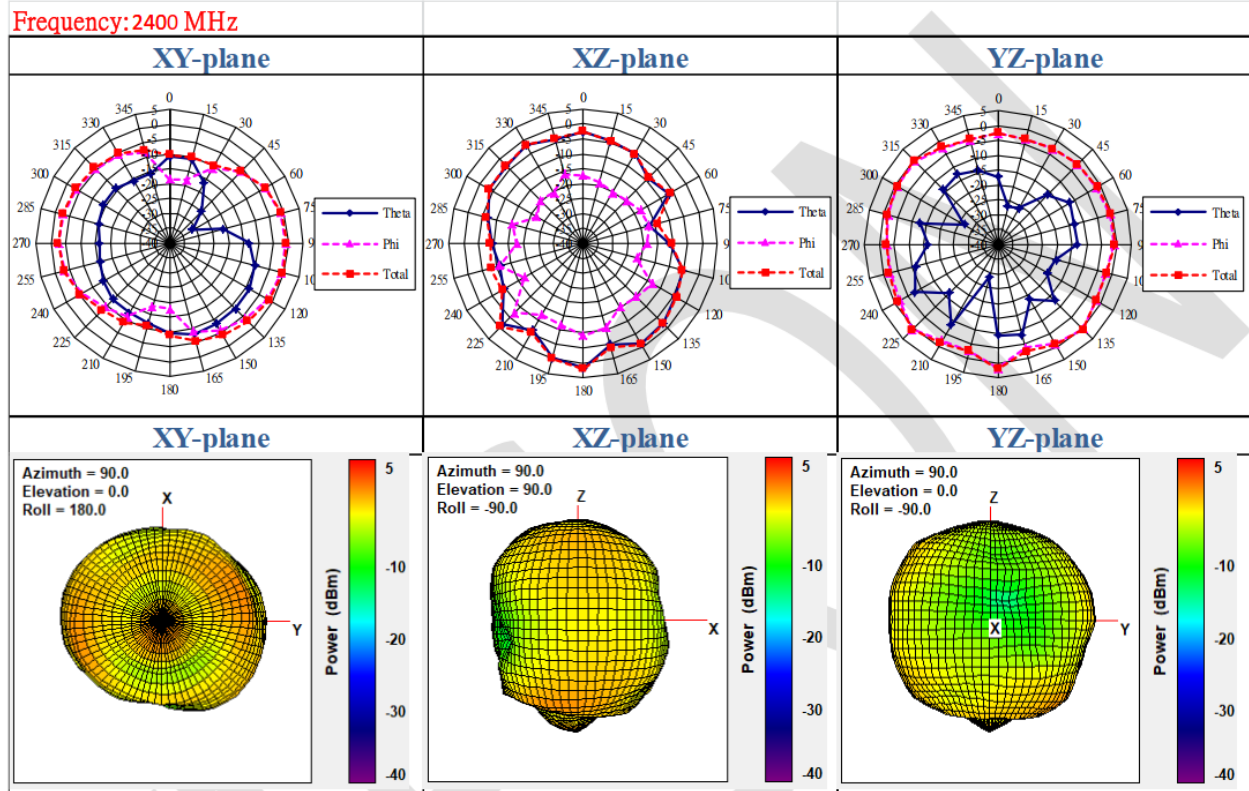
2.3 Equipment list

Device	Type/Model	Serial#	Manufacturer	Cal. Date	Cal. Due Date
Anechoic Chamber	SpaceSacer 26H	3100508-182-00007	ETS-Lindgren	30-Jun-23	30-Jun-24
Dual Polarized Diagonal Horn Antenna	3164	3164-03	ETS-Lindgren	30-Jun-23	30-Jun-24
Spectrum Analyzer(SA)	FSV – FSP	3100505-19-00011	RCHDE&SCHWARZ	24-Mar-23	24-Sep-26
Network Analyzer(NA)	ZNB4	-	RCHDE&SCHWARZ	24-Mar-23	24-Sep-26
Network Analyzer(NA)	R3767CG	130101611	ADVANTEST	24-Mar-23	24-Sep-26
Network Analyzer(NA)	C4209	101548/102977	TS RF Instruments Co., Ltd	24-Mar-23	24-Sep-26
Universal radiocommunication tester	CMW500 – CMU200	101548/102977	RCHDE&SCHWARZ	28-May-23	28-Nov-26
Turn table Controller	EMCO 2090	23525	ETS(EMCO)	N/A	N/A
Slot Switch(SW)	Aqilent 3499B	3100508-041-00001	Aqilent	N/A	N/A
Power Amplifier(PA)	ZVE-8G+	SN427201705	PLANAR MONOLITHICS	28-May-23	28-Nov-26
Low-noise Amplifier(LNA)	ZFL-500	3100504-27-00014	MInI-Circuits	28-May-23	28-Nov-26

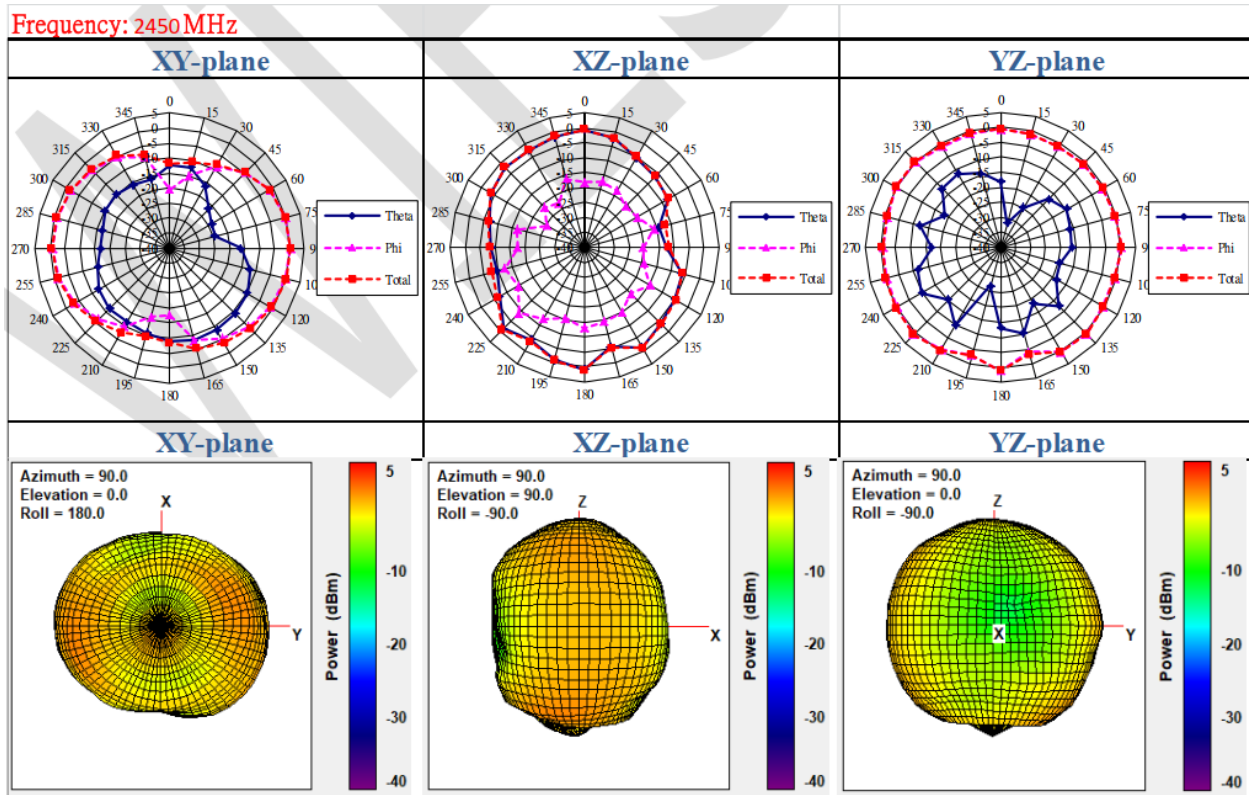
3 Radiation characteristics of antenna loaded in Host Platform

Main/Auxiliary Antenna

Antenna 3D Radiation Pattern- 2400 MHz

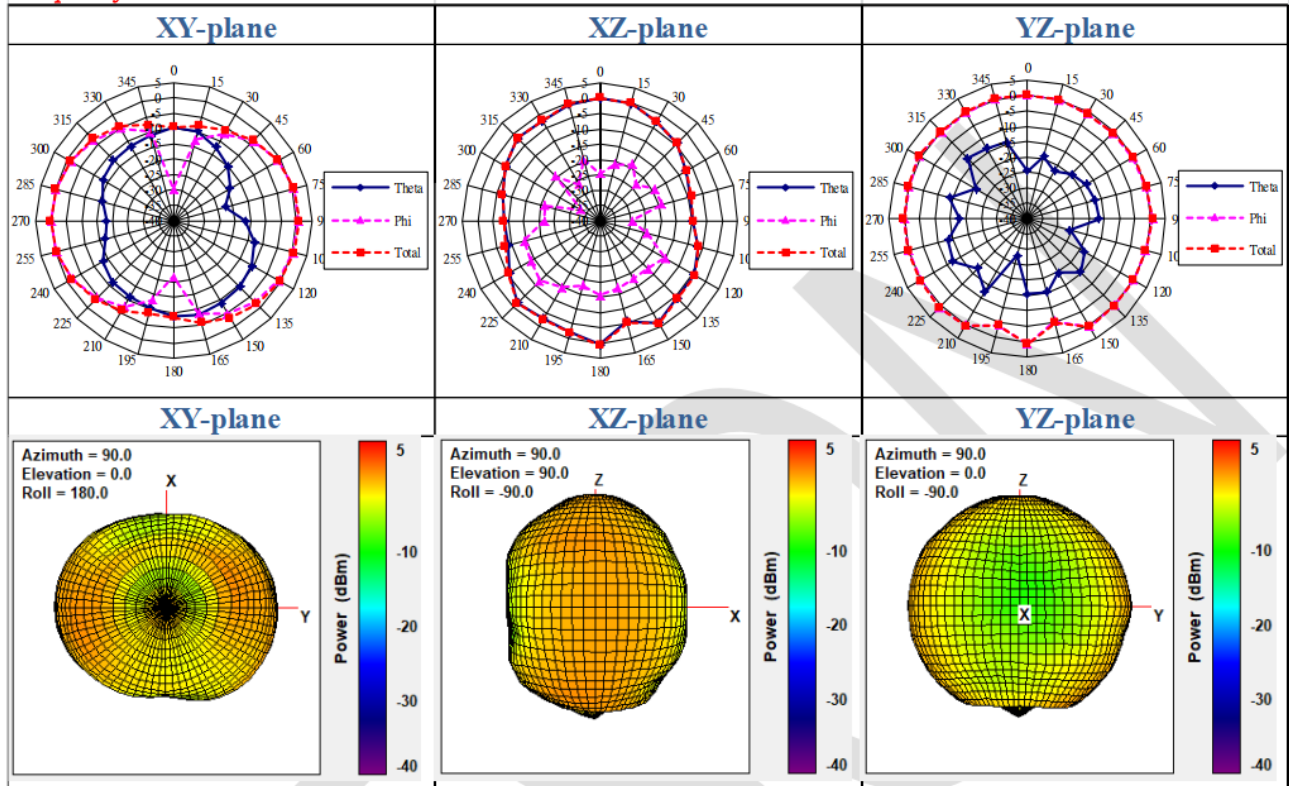


Antenna 3D Radiation Pattern- 2450 MHz



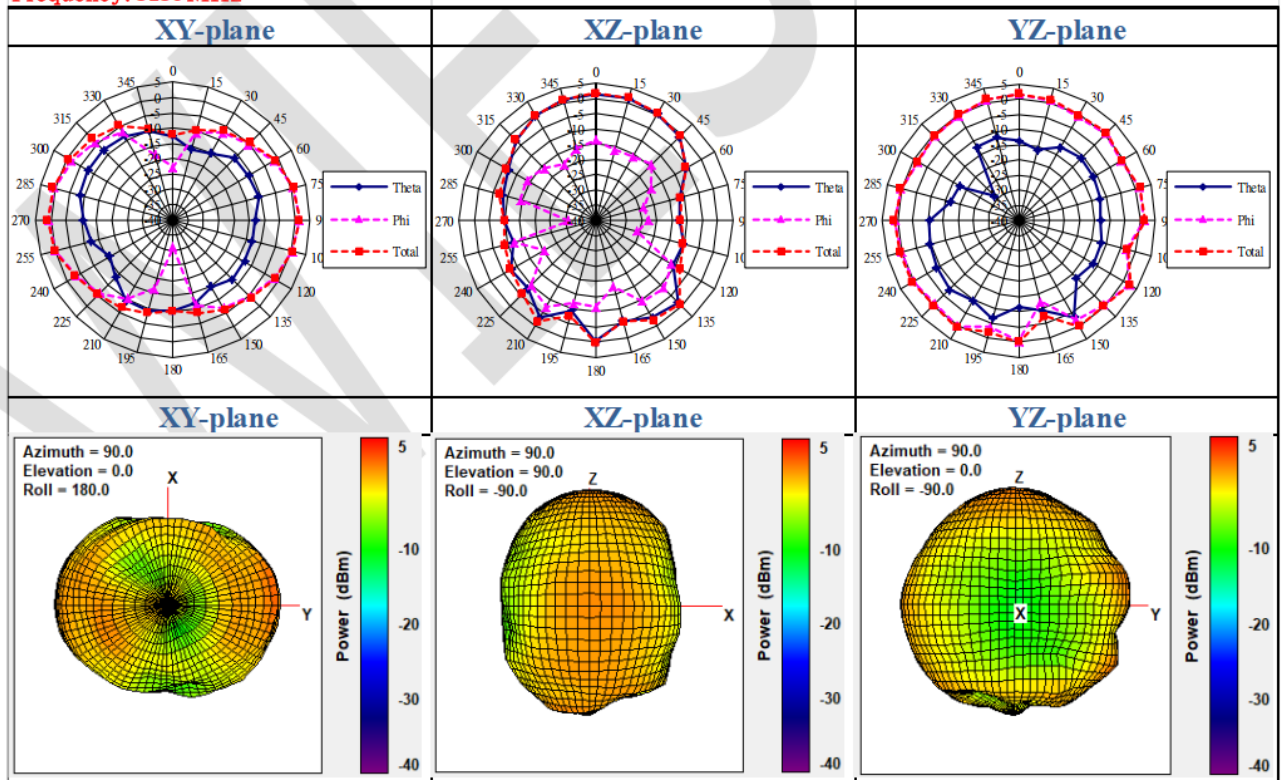
Antenna 3D Radiation Pattern- 2500 MHz

Frequency: 2500MHz

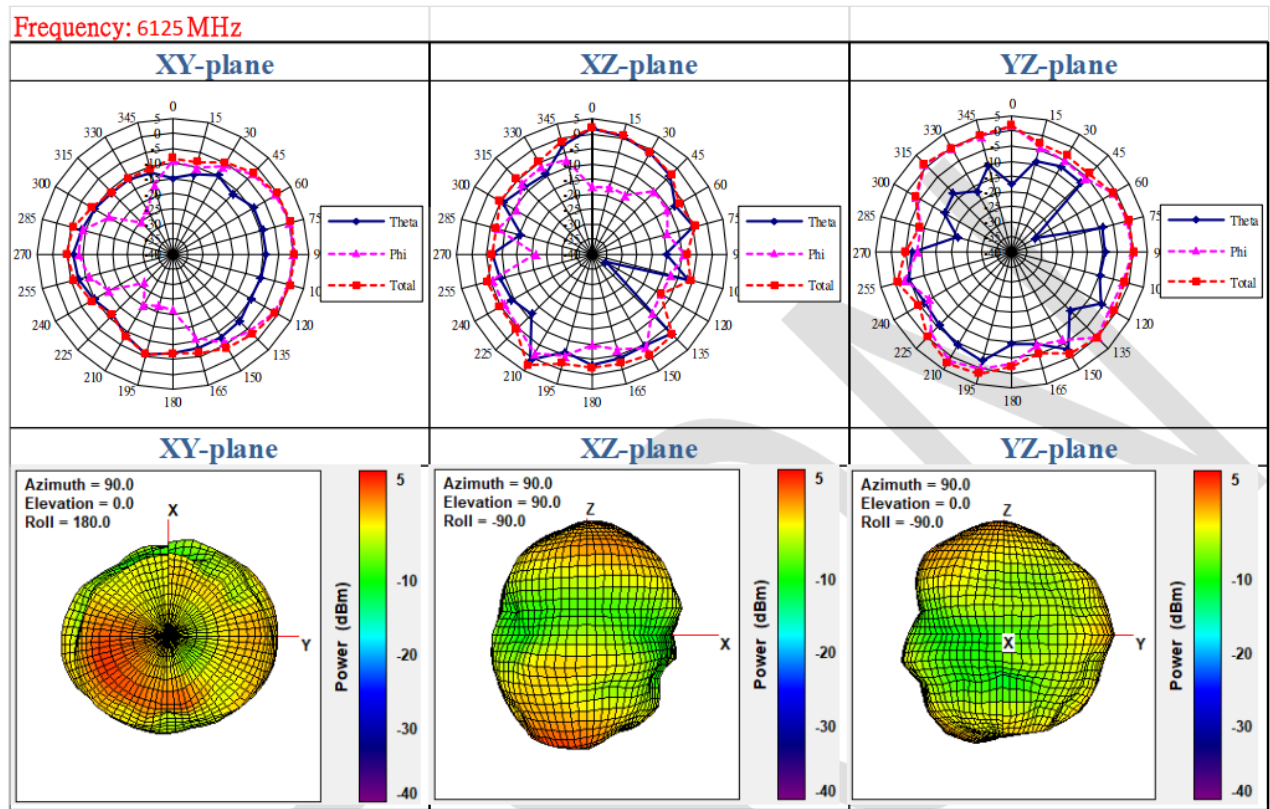


Antenna 3D Radiation Pattern- 5150 MHz

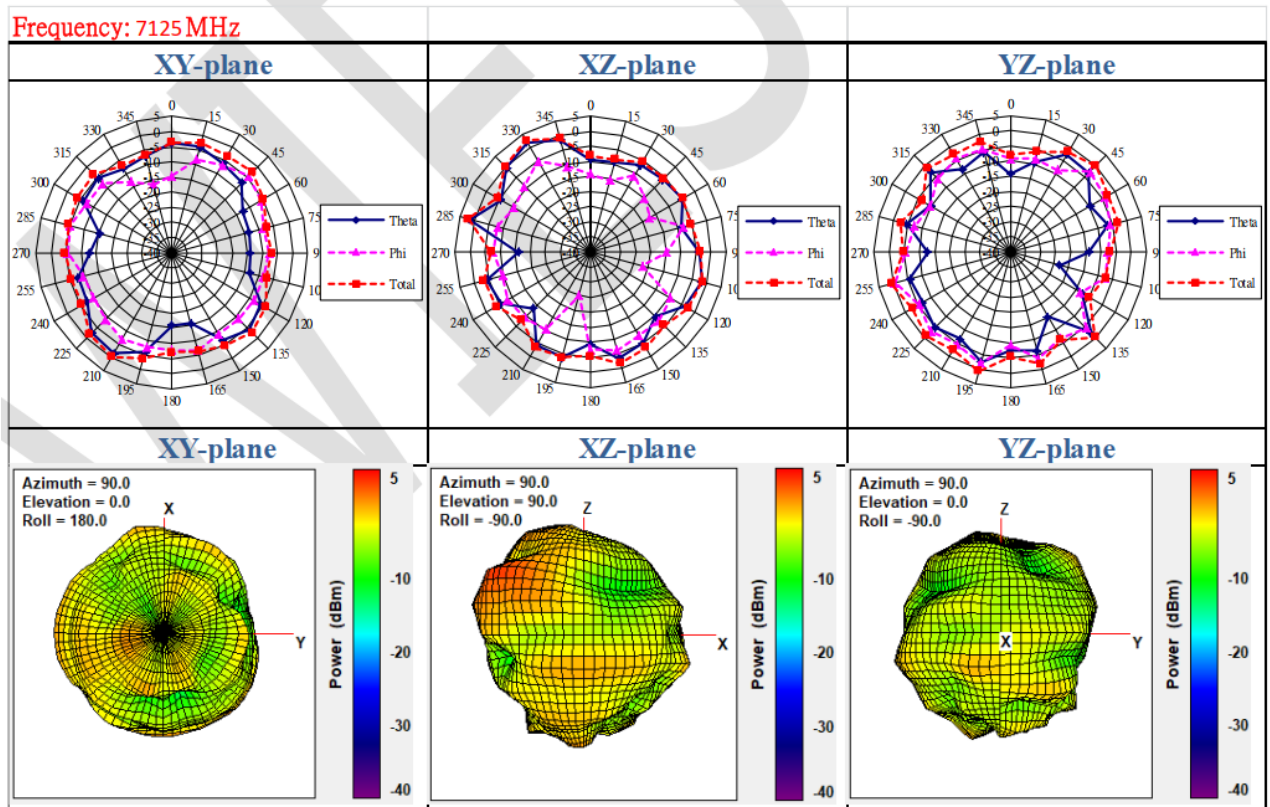
Frequency: 5150MHz



Antenna 3D Radiation Pattern- 6125 MHz

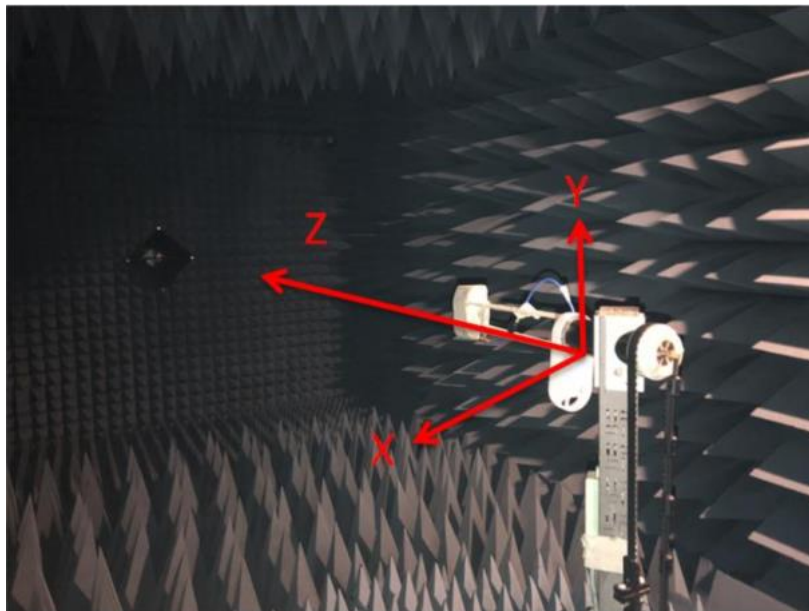
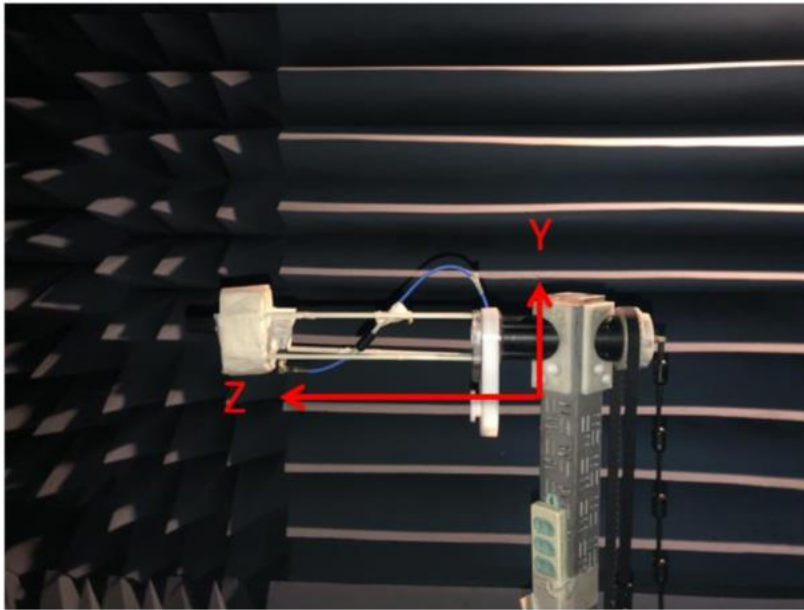


Antenna 3D Radiation Pattern- 7125 MHz



Annex A. Photographs

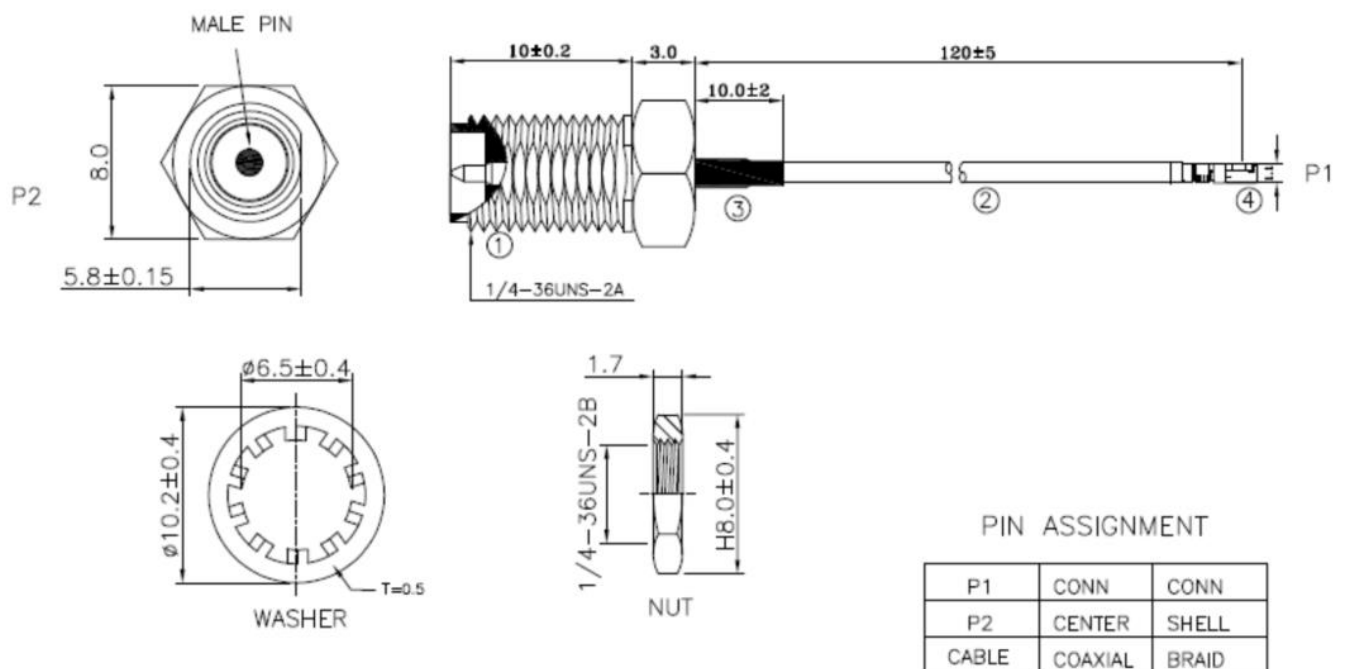
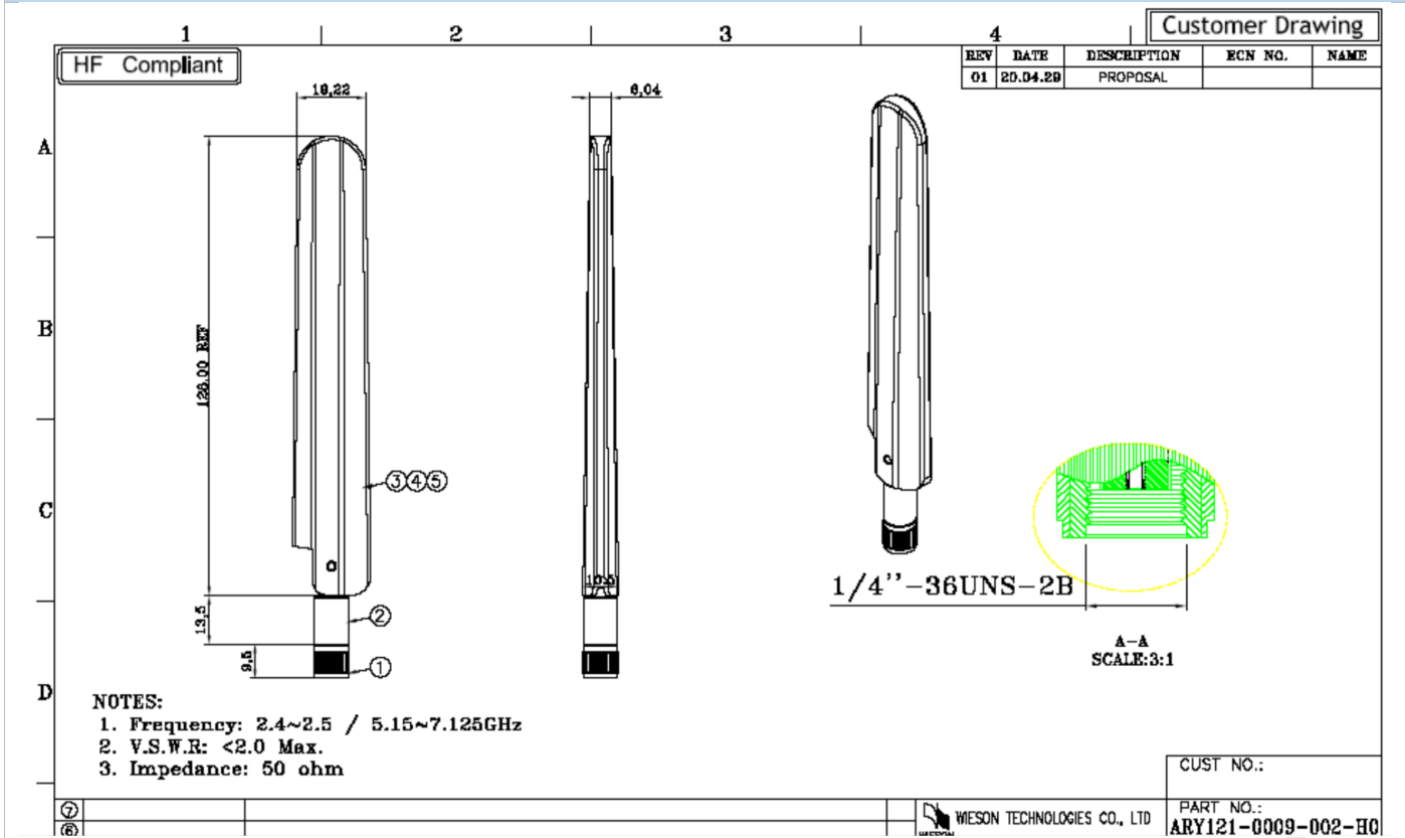
A.1 Setup Photo



A.2 Test sample

Main/Aux Antenna

Antenna Drawing



Antenna Photo

