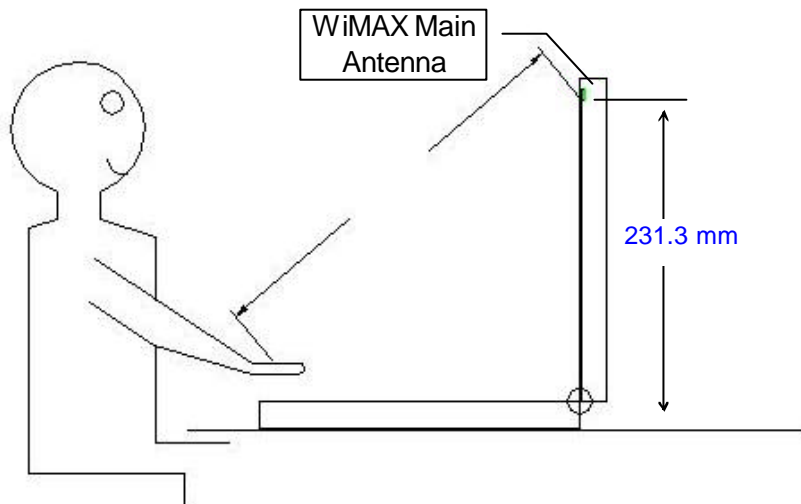
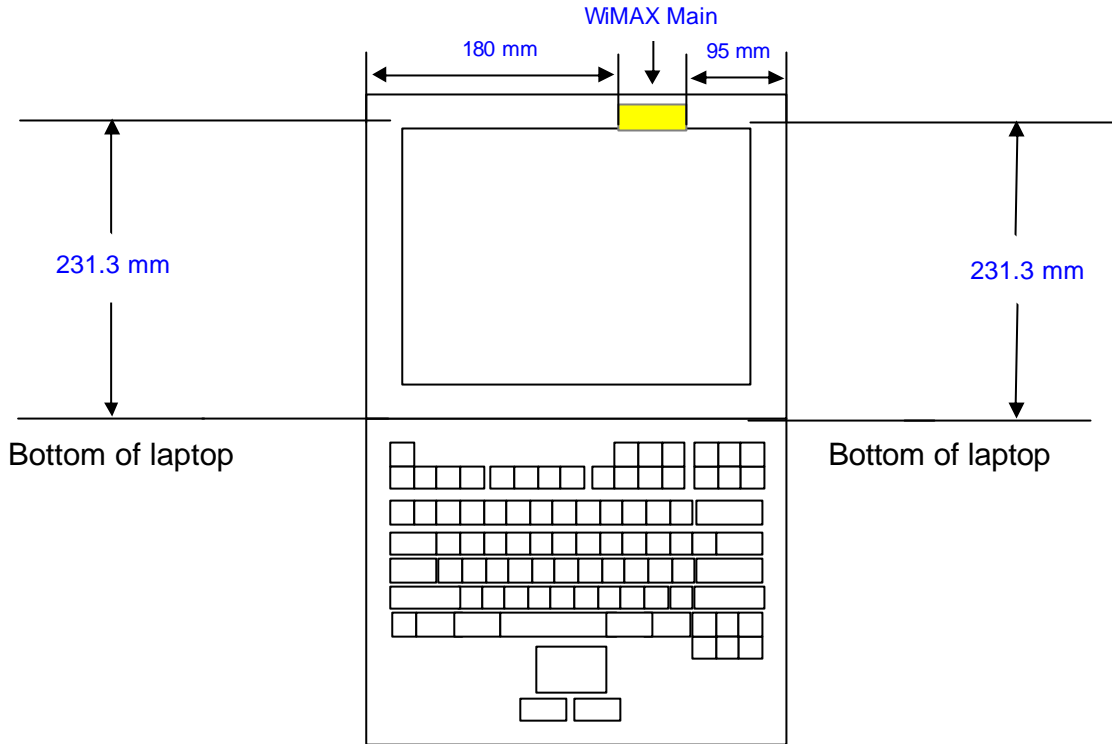


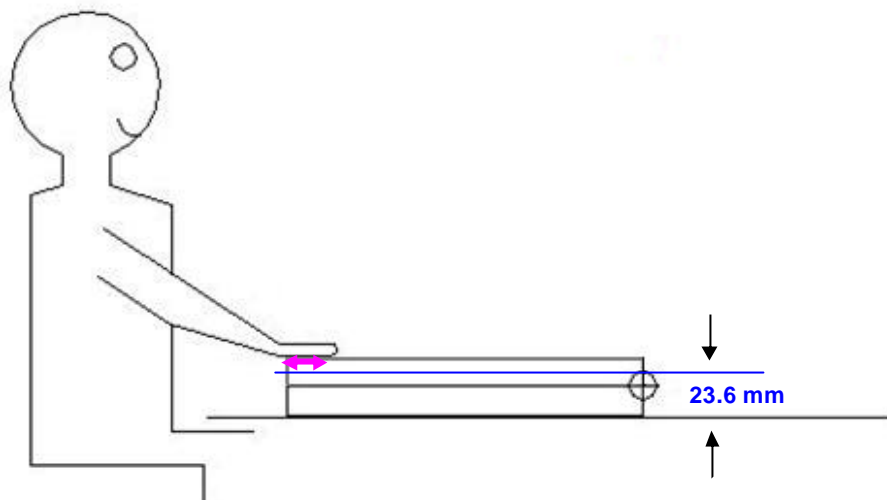
20. ANTENNA LOCATIONS AND SEPARATION DISTANCES

Laptop Mode

(with display open at 90° to the keyboard)



Bottom Face

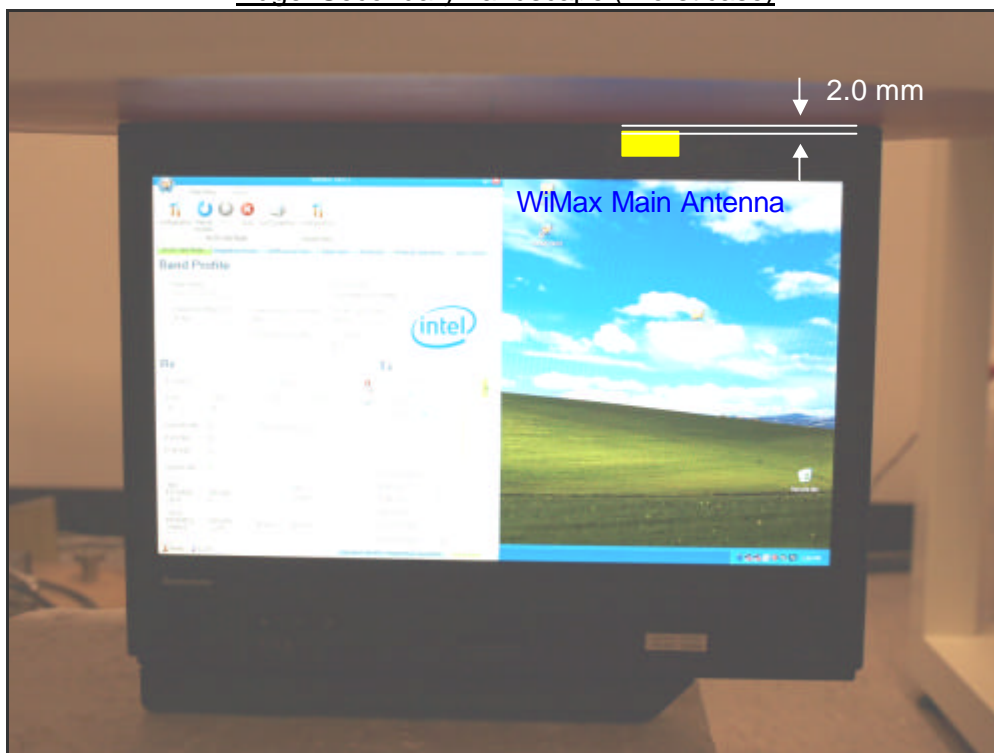


21. TEST SETUP PHOTOS

Bottom face
(w/ 0.0 cm from the bottom of the laptop base-to-phantom)



Edge: Secondary Landscape (Worst-case)



END OF REPORT

Page 38 of 38