

Test Laboratory: UL CCS

## System Check D2600V2 SN 1006

DUT: Dipole 2600 MHz D2600V2; Type: D2600V2; Serial: 1006

Communication System: CW; Frequency: 2600 MHz; Duty Cycle: 1:1  
Medium parameters used:  $f = 2600$  MHz;  $\sigma = 2.176$  mho/m;  $\epsilon_r = 51.893$ ;  $\rho = 1000$  kg/m<sup>3</sup>  
Phantom section: Flat Section

Room Ambient Temperature: 24.0 deg. C; Liquid Temperature: 23.0 deg. C

DASY5 Configuration:

- Area Scan setting - Find Secondary Maximum Within: 2.0 dB and with a peak SAR value greater than 0.0012W/kg
- Probe: EX3DV4 - SN3686; ConvF(6.78, 6.78, 6.78); Calibrated: 1/24/2011
- Sensor-Surface: 2.5mm (Mechanical Surface Detection)
- Electronics: DAE4 Sn1239; Calibrated: 11/17/2010
- Phantom: ELI 4.0; Type: QDOVA001BB; Serial: 1099
- Measurement SW: DASY52, Version 52.6 (1); SEMCAD X Version 14.4.2 (2595)

**D2600V2/Pin=100 mW/Area Scan (7x7x1):** Measurement grid: dx=15mm, dy=15mm  
Maximum value of SAR (measured) = 8.090 mW/g

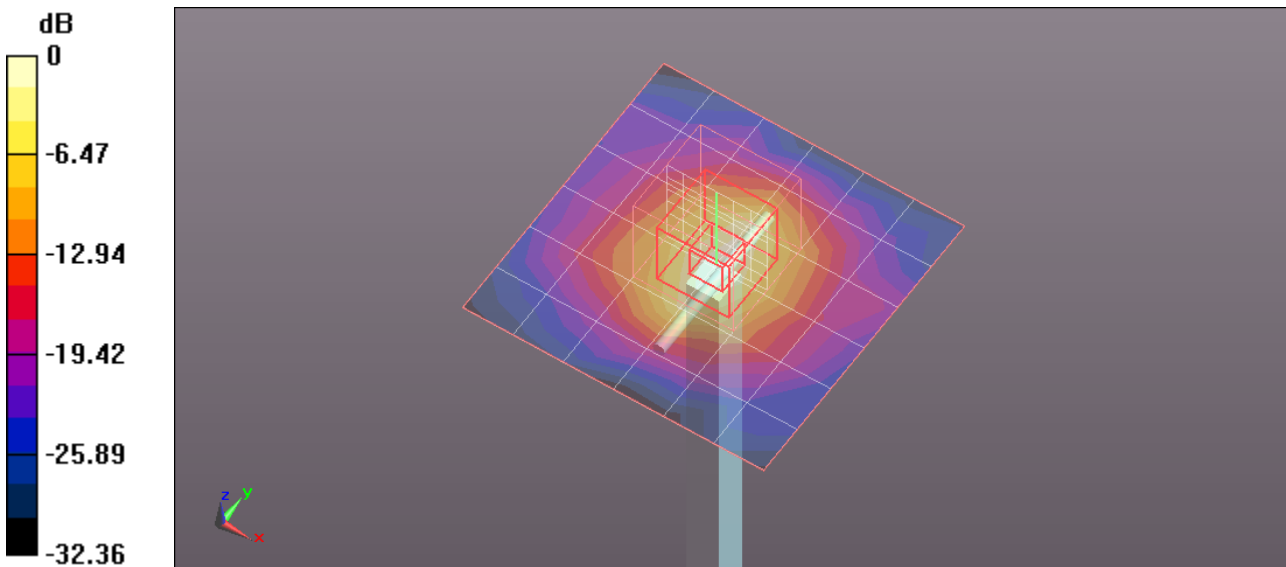
**D2600V2/Pin=100 mW/Zoom Scan (7x7x7)/Cube 0:** Measurement grid: dx=5mm, dy=5mm, dz=5mm

Reference Value = 61.655 V/m; Power Drift = -0.05 dB

Peak SAR (extrapolated) = 12.242 W/kg

**SAR(1 g) = 5.52 mW/g; SAR(10 g) = 2.38 mW/g**

Maximum value of SAR (measured) = 8.128 mW/g



0 dB = 8.130mW/g

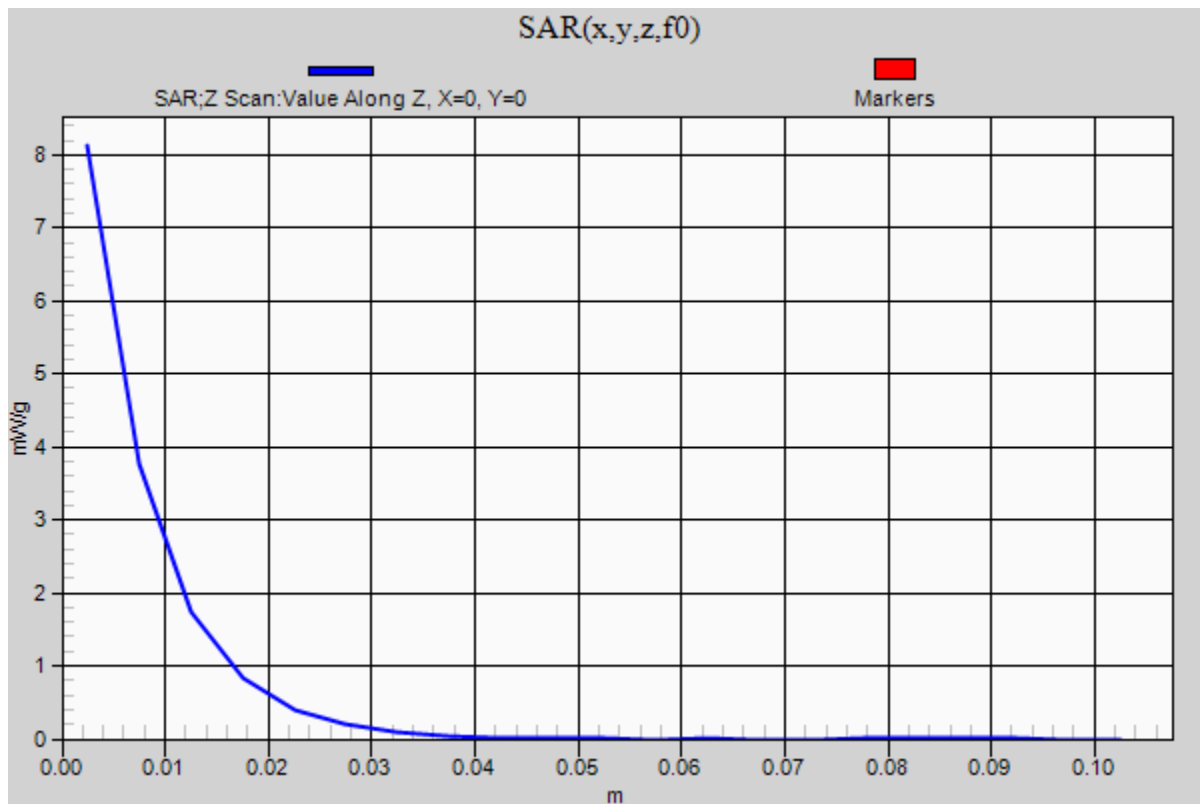
Test Laboratory: UL CCS

### System Check D2600V2 SN 1006

DUT: Dipole 2600 MHz D2600V2; Type: D2600V2; Serial: 1006

Communication System: CW; Frequency: 2600 MHz; Duty Cycle: 1:1

**D2600V2/Pin=100 mW/Z Scan (1x1x21):** Measurement grid: dx=20mm, dy=20mm, dz=5mm  
Maximum value of SAR (measured) = 8.124 mW/g



Test Laboratory: UL CCS

## System Check D2600V2 SN 1006

DUT: Dipole 2600 MHz D2600V2; Type: D2600V2; Serial: 1006

Communication System: CW; Frequency: 2600 MHz; Duty Cycle: 1:1  
Medium parameters used:  $f = 2600$  MHz;  $\sigma = 2.207$  mho/m;  $\epsilon_r = 51.434$ ;  $\rho = 1000$  kg/m<sup>3</sup>  
Phantom section: Flat Section

Room Ambient Temperature: 24.0 deg. C; Liquid Temperature: 23.0 deg. C

DASY5 Configuration:

- Area Scan setting - Find Secondary Maximum Within: 2.0 dB and with a peak SAR value greater than 0.0012W/kg
- Probe: EX3DV4 - SN3686; ConvF(6.78, 6.78, 6.78); Calibrated: 1/24/2011
- Sensor-Surface: 2.5mm (Mechanical Surface Detection)
- Electronics: DAE4 Sn1239; Calibrated: 11/17/2010
- Phantom: ELI 4.0; Type: QDOVA001BB; Serial: 1099
- Measurement SW: DASY52, Version 52.6 (1); SEMCAD X Version 14.4.2 (2595)

**D2600V2/Pin=100 mW/Area Scan (7x7x1):** Measurement grid: dx=15mm, dy=15mm

Maximum value of SAR (measured) = 8.121 mW/g

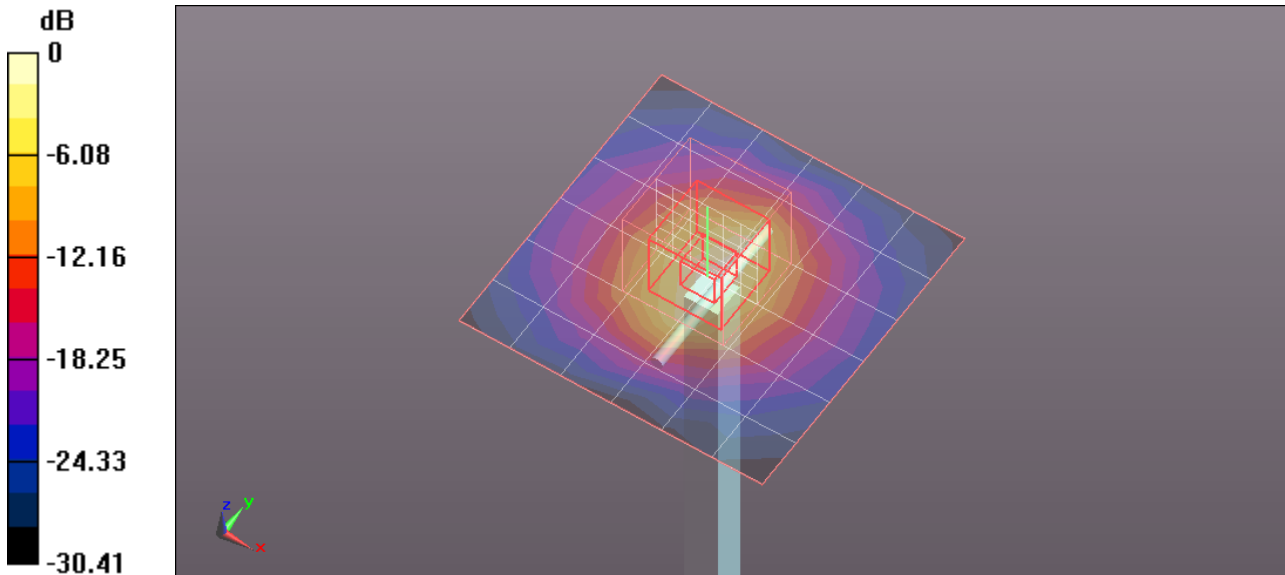
**D2600V2/Pin=100 mW/Zoom Scan (7x7x7)/Cube 0:** Measurement grid: dx=5mm, dy=5mm, dz=5mm

Reference Value = 61.516 V/m; Power Drift = -0.06 dB

Peak SAR (extrapolated) = 12.430 W/kg

**SAR(1 g) = 5.64 mW/g; SAR(10 g) = 2.45 mW/g**

Maximum value of SAR (measured) = 8.273 mW/g



0 dB = 8.270mW/g

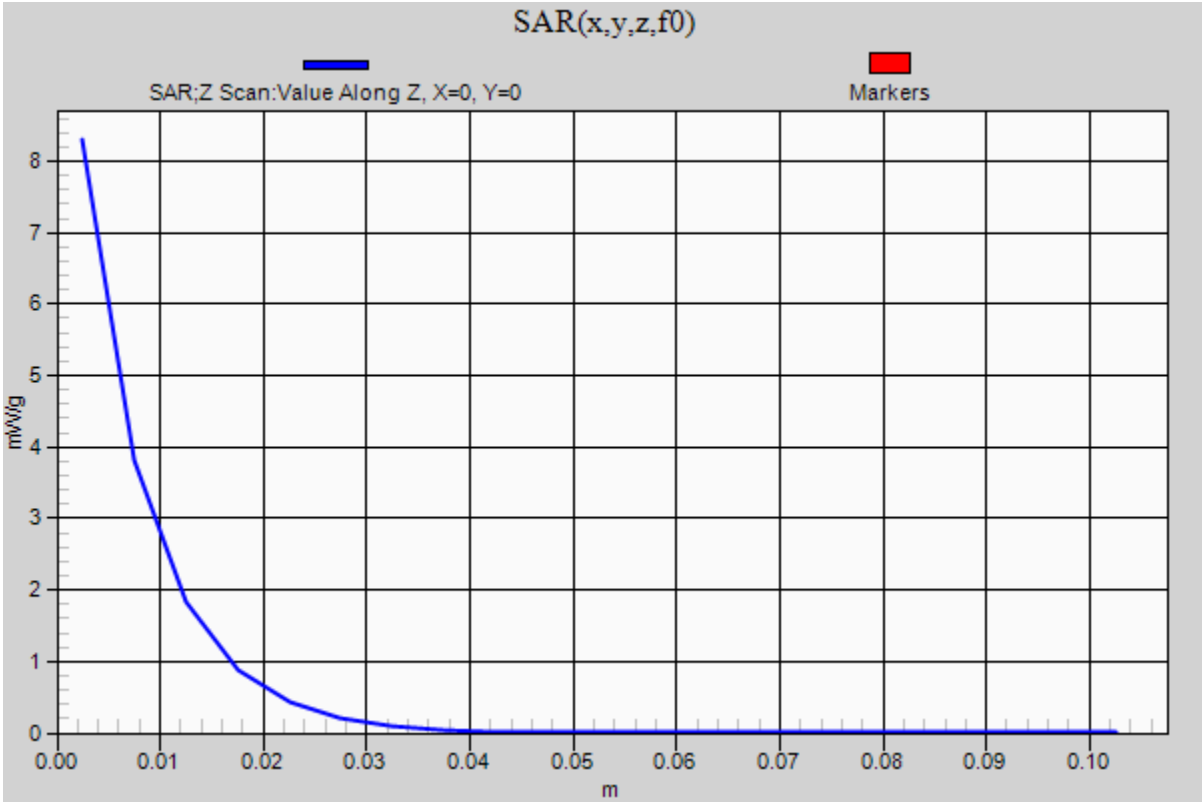
Test Laboratory: UL CCS

### System Check D2600V2 SN 1006

DUT: Dipole 2600 MHz D2600V2; Type: D2600V2; Serial: 1006

Communication System: CW; Frequency: 2600 MHz;Duty Cycle: 1:1

**D2600V2/Pin=100 mW/Z Scan (1x1x21):** Measurement grid: dx=20mm, dy=20mm, dz=5mm  
Maximum value of SAR (measured) = 8.298 mW/g



Test Laboratory: UL CCS

**System Check D2600V2 SN 1006**

DUT: Dipole 2600 MHz D2600V2; Type: D2600V2; Serial: 1006

Communication System: CW; Frequency: 2600 MHz; Duty Cycle: 1:1

Medium parameters used:  $f = 2600$  MHz;  $\sigma = 2.165$  mho/m;  $\epsilon_r = 51.904$ ;  $\rho = 1000$  kg/m<sup>3</sup>

Phantom section: Flat Section

Room Ambient Temperature: 24.0 deg. C; Liquid Temperature: 23.0 deg. C

DASY5 Configuration:

- Area Scan setting - Find Secondary Maximum Within: 2.0 dB and with a peak SAR value greater than 0.0012W/kg
- Probe: EX3DV4 - SN3686; ConvF(6.78, 6.78, 6.78); Calibrated: 1/24/2011
- Sensor-Surface: 2.5mm (Mechanical Surface Detection)
- Electronics: DAE4 Sn1239; Calibrated: 11/17/2010
- Phantom: ELI 4.0; Type: QDOVA001BB; Serial: 1099
- Measurement SW: DASY52, Version 52.6 (1); SEMCAD X Version 14.4.2 (2595)

**D2600V2/Pin=100 mW/Area Scan (7x7x1):** Measurement grid: dx=15mm, dy=15mm

Maximum value of SAR (measured) = 7.963 mW/g

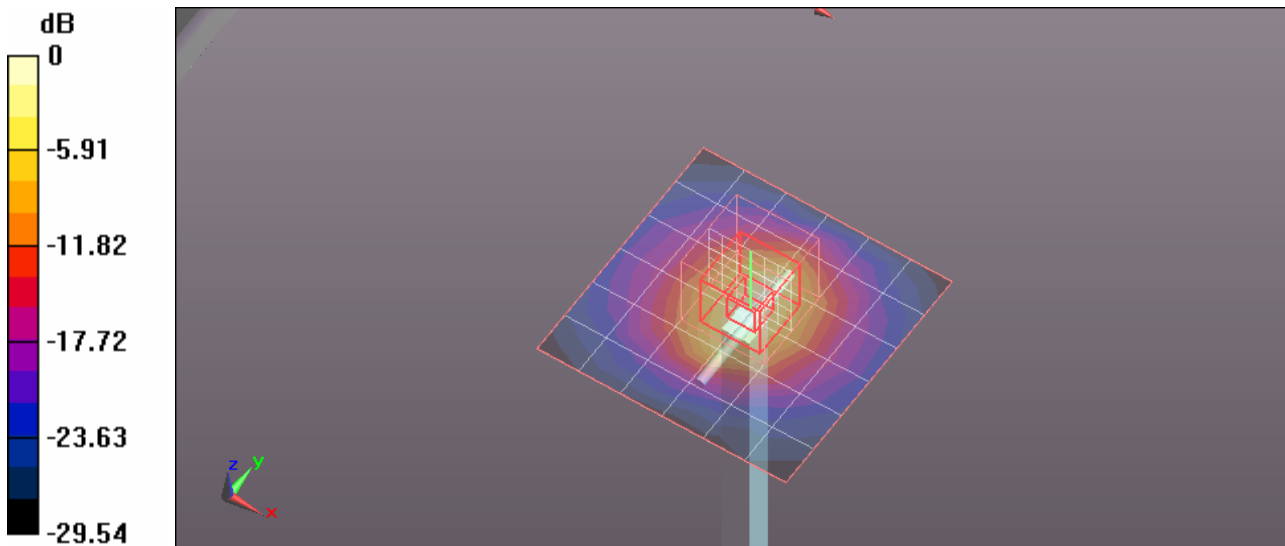
**D2600V2/Pin=100 mW/Zoom Scan (7x7x7)/Cube 0:** Measurement grid: dx=5mm, dy=5mm, dz=5mm

Reference Value = 61.143 V/m; Power Drift = -0.06 dB

Peak SAR (extrapolated) = 12.337 W/kg

**SAR(1 g) = 5.58 mW/g; SAR(10 g) = 2.42 mW/g**

Maximum value of SAR (measured) = 8.199 mW/g



0 dB = 8.200mW/g

Test Laboratory: UL CCS

### System Check D2600V2 SN 1006

DUT: Dipole 2600 MHz D2600V2; Type: D2600V2; Serial: 1006

Communication System: CW; Frequency: 2600 MHz; Duty Cycle: 1:1

**D2600V2/Pin=100 mW/Z Scan (1x1x21):** Measurement grid: dx=20mm, dy=20mm, dz=5mm  
Maximum value of SAR (measured) = 8.170 mW/g

