

# Antenna Test Report

For

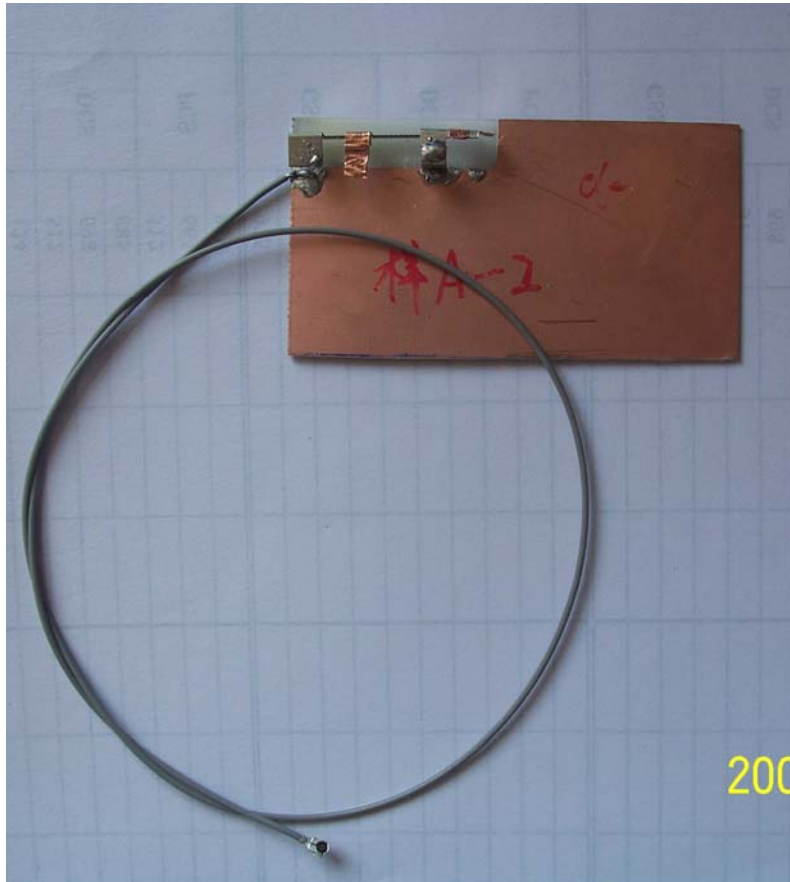
Intel project

<b>Customer</b>	<b>Intel</b>	<b>Project</b>	
<b>Band</b>	<b>2.3~2.7&amp;3.3~3.8 &amp;5.15~5.85GHz</b>	<b>Color</b>	
<b>SUC PN</b>		<b>Version</b>	<b>T:A</b>

<b>Issued by</b>		<b>Checked by</b>	
<b>Confirmed by</b>		<b>Date</b>	<b>2007/3/30</b>

## 1 Summary of the Test results

The test fixture was made for further testing, which was shown below.



## 2. Test Result

### 2.1 RF Performance

#### 2.1.1 S11 Measurement

The S11 parameter was performed using a Hewlett Packard E5071B Network Analyzer. We use a 45cm long 1.13 cable to mitigate surface currents on the outside of the testing cable.

We used no matching circuit .

The S11 parameter was shown below, you could check it.

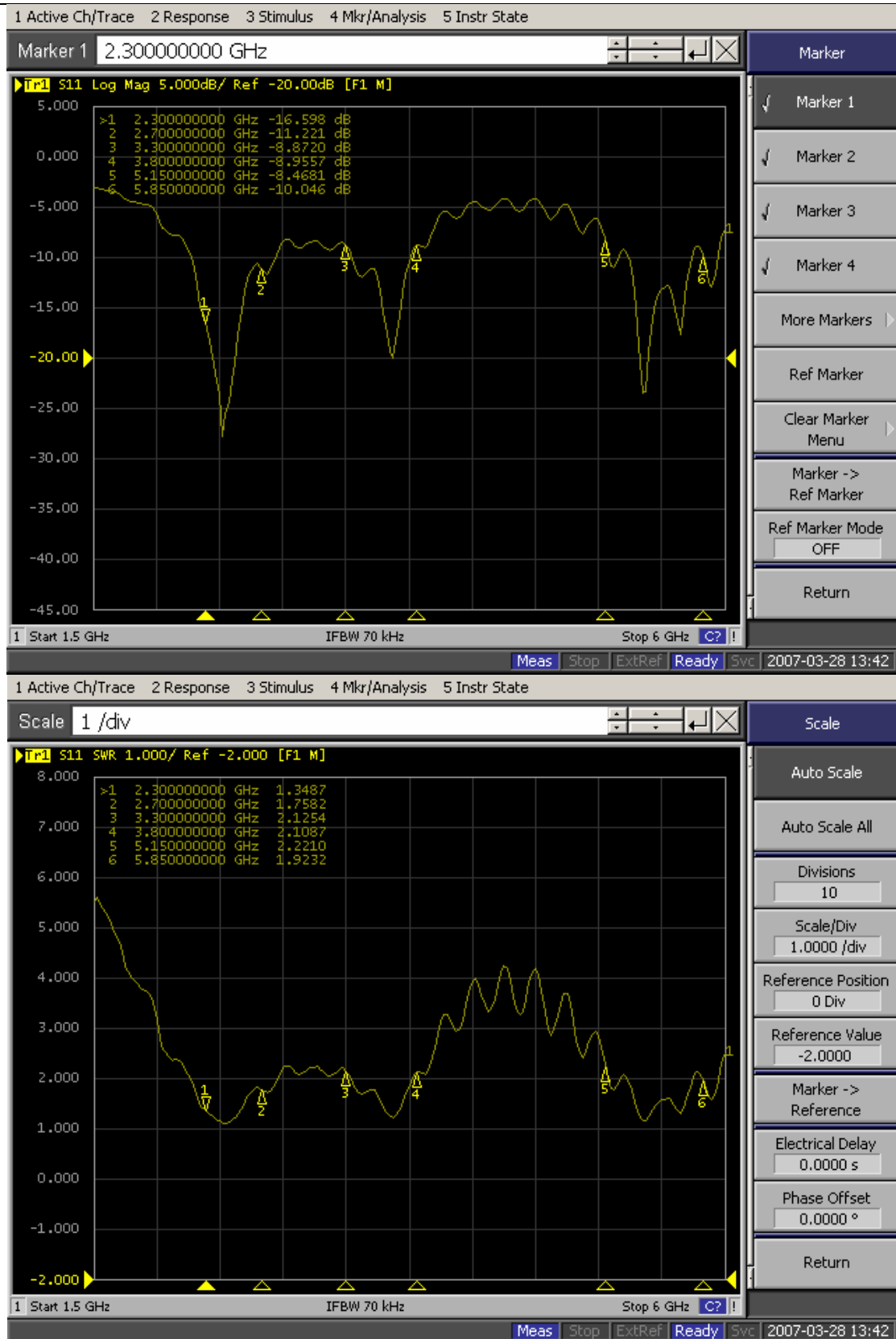
<b>SUC ANT S11 parameter Summary</b>						
<b>Band</b>	<b>2.3 ~2.7&amp;3.3~3.8&amp;5.15~5.85(GHz)</b>					
	2.3	2.7	3.3	3.8	5.15	5.85
<b>R.L (dB)</b>	-16.59	-11.22	-8.87	-8.96	-8.46	-10.04
<b>VSWR</b>	1.35	1.76	2.13	2.11	2.22	1.92

You could also check in detail in below figures.

#### **S11 parameter of sample antenna tested in free space**

Shanghai Universe Communication Electron Co., Ltd has possession of proprietary information provided in this presentation and this proprietary information shall be kept in strict confidence and not disclosed to any person or firm without the prior written consent of SUC.

Confidential Information



## 2.1.2 Radiation pattern and Gain Measurement

An anechoic chamber was used to measure radiation pattern and antenna Gain. SUC's chamber was working from 700MHz to 6GHz. The chamber provides less than -40 Db reflectivity from 700 MHz through 6 GHz. A standard horn was used to calibrate the chamber, and we also use a decoupling sleeve to reduce feed line radiation, so we can measure the antenna gain accurately.

The Gain parameter was shown below, you could check it.

<b>SUC ANT Gain parameter Summary</b>							
<b>Band</b>	<b>2.4(GHz)</b>						
	2.3	2.35	2.4	2.45	2.5	2.6	2.7
<b>MAX Gain (dBi)</b>	3.22	3.54	3.24	2.97	3.16	3.47	2.8
<b>Efficiency (%)</b>	74.48	73.72	73.39	72.52	74.29	88.94	74.38
<b>SUC ANT Gain parameter Summary</b>							
<b>Band</b>	<b>3.4 (GHz)</b>						
	3.3		3.5		3.8		
<b>MAX Gain (dBi)</b>	4.54		3.59		4.38		
<b>Efficiency (%)</b>	70.9		72.85		77.4		
<b>SUC ANT Gain parameter Summary</b>							
<b>Band</b>	<b>5.4 (GHz)</b>						
	5.15	5.25	5.35	5.45	5.75	5.85	
<b>MAX Gain (dBi)</b>	3.64	2.57	3.73	4.77	4.43	4.97	
<b>Efficiency (%)</b>	61.74	60.1	78.92	85.58	78.31	69.99	

The radiation pattern was shown below, you could check it.



**上海安岗通讯电子有限公司**  
**Shanghai Universe Communication Electronics Co. Ltd**  
 地址：上海市闵行区澄建路 351 号 6 楼 邮编：201108 电话：021-64348850

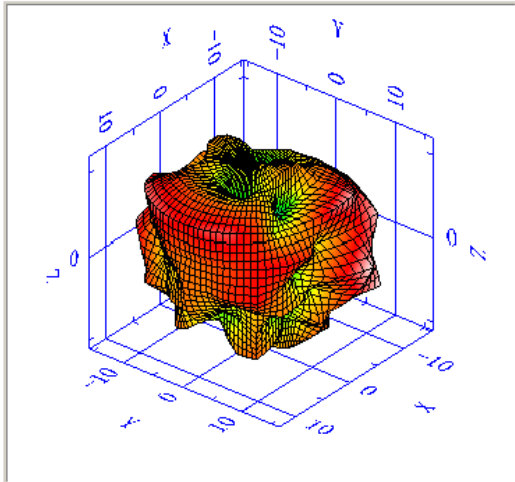
S

Location: **RF Chamber**  
 Temperatur ( ): **22.00**

Date: **2007-3-30**  
 Humidity (%): **65.00**

Time: **11:00:23**  
 Approved by:

**Total View**



Frequency (MHz)	2300.00
TRP (dBm)	-1.28
Efficiency (%)	74.48
NHPRP +/- 45 (dBm)	-1.85
NHPRP +/- 30 (dBm)	-2.66
Directivity (dBi)	4.5
Gain (dBi)	3.22
Average Gain (dB)	-1.28
Peak EIRP (dBm)	3.22
Max. Power (dBm)	3.22
Min. Power (dBm)	-13.68
Avg. Power (dBm)	-2.17
Max. / Min. Ratio (dB)	16.89
Max. / Avg. Ratio (dB)	5.39
Min. / Avg. Ratio (dB)	-11.51

**2.3GHz**



**上海安岗通讯电子有限公司**  
**Shanghai Universe Communication Electronics Co. Ltd**  
 地址：上海市闵行区澄建路 351 号 6 楼 邮编：201108 电话：021-64348850

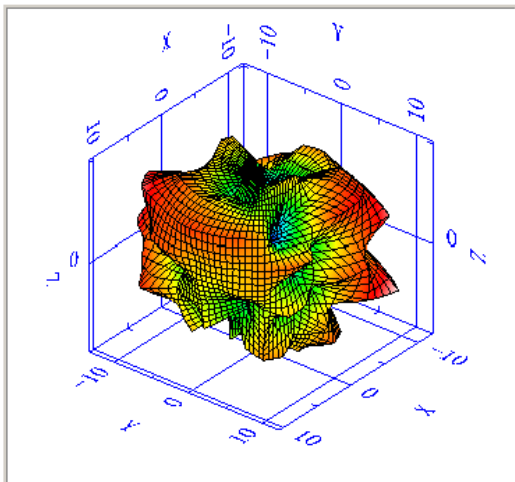
S

Location: **RF Chamber**  
 Temperatur ( ): **22.00**

Date: **2007-3-30**  
 Humidity (%): **65.00**

Time: **11:00:37**  
 Approved by:

**Total View**



Frequency (MHz)	2350.00
TRP (dBm)	-1.32
Efficiency (%)	73.72
NHPRP +/- 45 (dBm)	-1.89
NHPRP +/- 30 (dBm)	-2.76
Directivity (dBi)	4.87
Gain (dBi)	3.54
Average Gain (dB)	-1.32
Peak EIRP (dBm)	3.54
Max. Power (dBm)	3.54
Min. Power (dBm)	-11.17
Avg. Power (dBm)	-2.18
Max. / Min. Ratio (dB)	14.72
Max. / Avg. Ratio (dB)	5.72
Min. / Avg. Ratio (dB)	-9

**2.35GHz**



**上海安岗通讯电子有限公司**  
**Shanghai Universe Communication Electronics Co. Ltd**  
 地址：上海市闵行区澄建路 351 号 6 楼 邮编：201108 电话：021-64348850

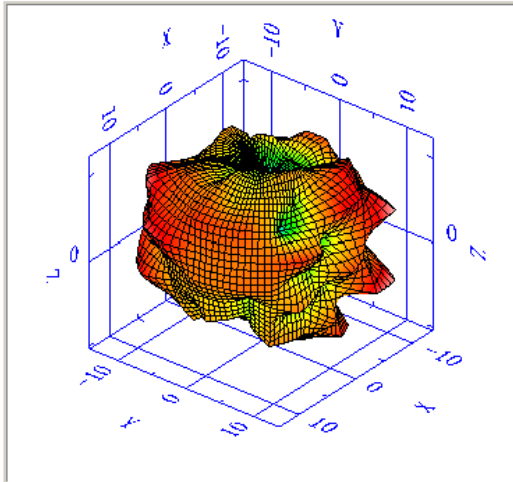
S

Location: **RF Chamber**  
 Temperaturer ( ): **22.00**

Date: **2007-3-30**  
 Humidity (%): **65.00**

Time: **11:01:28**  
 Approved by:

**Total View**



Frequency (MHz)	2400.00
TRP (dBm)	-1.34
Efficiency (%)	73.39
NHPRP +/- 45 (dBm)	-1.89
NHPRP +/- 30 (dBm)	-2.79
Directivity (dBi)	4.58
Gain (dBi)	3.24
Average Gain (dB)	-1.34
Peak EIRP (dBm)	3.24
Max. Power (dBm)	3.24
Min. Power (dBm)	-13.08
Avg. Power (dBm)	-2.21
Max. / Min. Ratio (dB)	16.31
Max. / Avg. Ratio (dB)	5.45
Min. / Avg. Ratio (dB)	-10.87

**2.4GHz**



**上海安岗通讯电子有限公司**  
**Shanghai Universe Communication Electronics Co. Ltd**  
 地址：上海市闵行区澄建路 351 号 6 楼 邮编：201108 电话：021-64348850

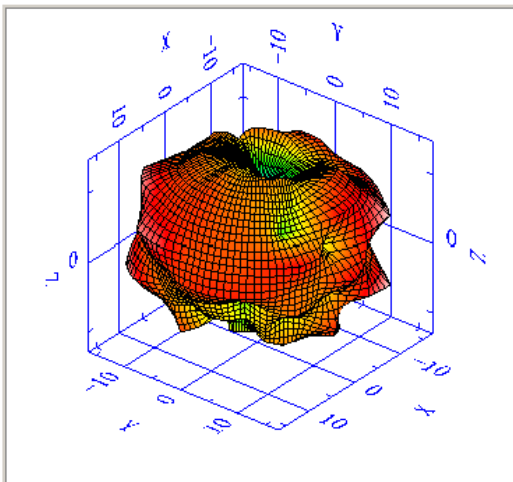
S

Location: **RF Chamber**  
 Temperaturer ( ): **22.00**

Date: **2007-3-30**  
 Humidity (%): **65.00**

Time: **11:01:34**  
 Approved by:

**Total View**



Frequency (MHz)	2450.00
TRP (dBm)	-1.4
Efficiency (%)	72.52
NHPRP +/- 45 (dBm)	-1.87
NHPRP +/- 30 (dBm)	-2.71
Directivity (dBi)	4.37
Gain (dBi)	2.97
Average Gain (dB)	-1.4
Peak EIRP (dBm)	2.97
Max. Power (dBm)	2.97
Min. Power (dBm)	-16.47
Avg. Power (dBm)	-2.28
Max. / Min. Ratio (dB)	19.44
Max. / Avg. Ratio (dB)	5.25
Min. / Avg. Ratio (dB)	-14.19

**2.45GHz**



**上海安岗通讯电子有限公司**  
**Shanghai Universe Communication Electronics Co. Ltd**  
 地址：上海市闵行区澄建路 351 号 6 楼 邮编：201108 电话：021-64348850

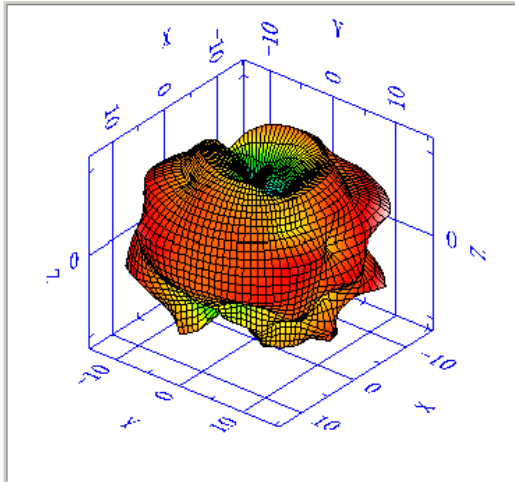
S

Location: **RF Chamber**  
 Temperatur ( ): **22.00**

Date: **2007-3-30**  
 Humidity (%): **65.00**

Time: **11:01:41**  
 Approved by:

**Total View**



Frequency (MHz)	2500.00
TRP (dBm)	-1.29
Efficiency (%)	74.29
NHPRP +/- 45 (dBm)	-1.71
NHPRP +/- 30 (dBm)	-2.61
Directivity (dBi)	4.45
Gain (dBi)	3.16
Average Gain (dB)	-1.29
Peak EIRP (dBm)	3.16
Max. Power (dBm)	3.16
Min. Power (dBm)	-14.26
Avg. Power (dBm)	-2.22
Max. / Min. Ratio (dB)	17.42
Max. / Avg. Ratio (dB)	5.38
Min. / Avg. Ratio (dB)	-12.04

**2.5GHz**



**上海安岗通讯电子有限公司**  
**Shanghai Universe Communication Electronics Co. Ltd**  
 地址：上海市闵行区澄建路 351 号 6 楼 邮编：201108 电话：021-64348850

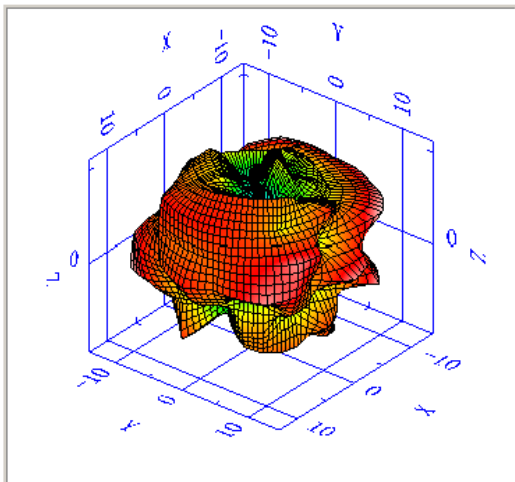
S

Location: **RF Chamber**  
 Temperatur ( ): **22.00**

Date: **2007-3-30**  
 Humidity (%): **65.00**

Time: **11:01:48**  
 Approved by:

**Total View**



Frequency (MHz)	2600.00
TRP (dBm)	-0.51
Efficiency (%)	88.94
NHPRP +/- 45 (dBm)	-0.91
NHPRP +/- 30 (dBm)	-1.82
Directivity (dBi)	3.98
Gain (dBi)	3.47
Average Gain (dB)	-0.51
Peak EIRP (dBm)	3.47
Max. Power (dBm)	3.47
Min. Power (dBm)	-11.83
Avg. Power (dBm)	-1.32
Max. / Min. Ratio (dB)	15.29
Max. / Avg. Ratio (dB)	4.78
Min. / Avg. Ratio (dB)	-10.51

**2.6GHz**



**上海安岗通讯电子有限公司**  
**Shanghai Universe Communication Electronics Co. Ltd**  
 地址：上海市闵行区澄建路 351 号 6 楼 邮编：201108 电话：021-64348850

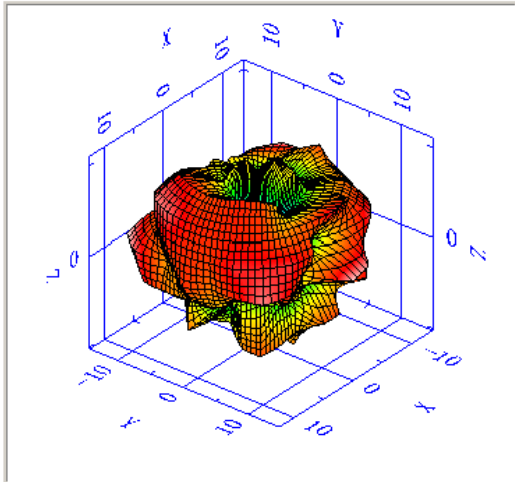
S

Location: **RF Chamber**  
 Temperaturer ( ): **22.00**

Date: **2007-3-30**  
 Humidity (%): **65.00**

Time: **11:01:54**  
 Approved by:

**Total View**



Frequency (MHz)	2700.00
TRP (dBm)	-1.29
Efficiency (%)	74.38
NHPRP +/- 45 (dBm)	-1.73
NHPRP +/- 30 (dBm)	-2.52
Directivity (dBi)	4.09
Gain (dBi)	2.8
Average Gain (dB)	-1.29
Peak EIRP (dBm)	2.8
Max. Power (dBm)	2.8
Min. Power (dBm)	-12.24
Avg. Power (dBm)	-1.98
Max. / Min. Ratio (dB)	15.05
Max. / Avg. Ratio (dB)	4.78
Min. / Avg. Ratio (dB)	-10.27

**2.7GHz**



**上海安岗通讯电子有限公司**  
**Shanghai Universe Communication Electronics Co. Ltd**  
 地址：上海市闵行区澄建路 351 号 6 楼 邮编：201108 电话：021-64348850

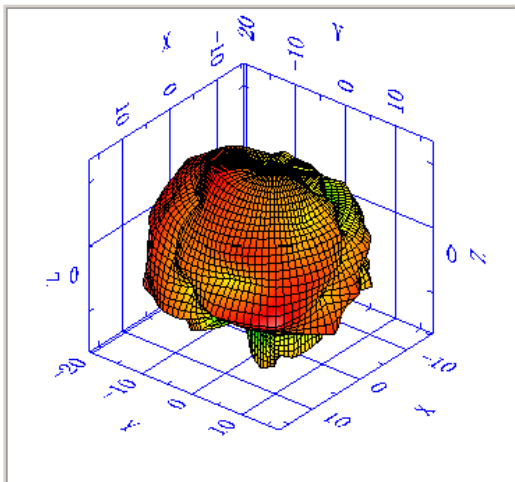
S

Location: **RF Chamber**  
 Temperaturer ( ): **22.00**

Date: **2007-3-30**  
 Humidity (%): **65.00**

Time: **11:02:03**  
 Approved by:

**Total View**



Frequency (MHz)	3300.00
TRP (dBm)	-1.49
Efficiency (%)	70.9
NHPRP +/- 45 (dBm)	-2.18
NHPRP +/- 30 (dBm)	-2.96
Directivity (dBi)	6.04
Gain (dBi)	4.54
Average Gain (dB)	-1.49
Peak EIRP (dBm)	4.54
Max. Power (dBm)	4.54
Min. Power (dBm)	-16.7
Avg. Power (dBm)	-2.05
Max. / Min. Ratio (dB)	21.25
Max. / Avg. Ratio (dB)	6.59
Min. / Avg. Ratio (dB)	-14.65

**3.3GHz**





**上海安岗通讯电子有限公司**  
**Shanghai Universe Communication Electronics Co. Ltd**  
 地址：上海市闵行区澄建路 351 号 6 楼 邮编：201108 电话：021-64348850

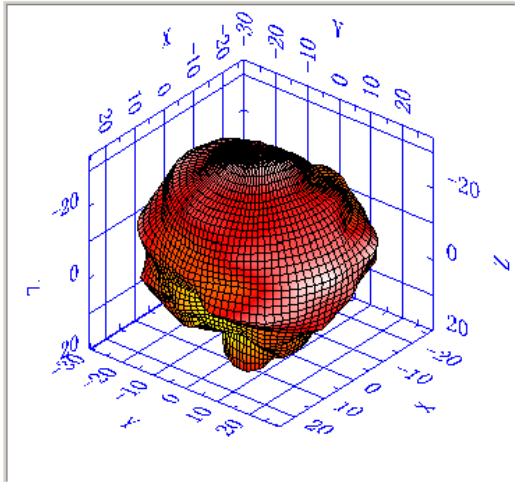
S

Location: **RF Chamber**  
 Temperaturer ( ): **22.00**

Date: **2007-3-30**  
 Humidity (%): **65.00**

Time: **11:02:14**  
 Approved by:

**Total View**



Frequency (MHz)	3500.00
TRP (dBm)	-1.38
Efficiency (%)	72.85
NHPRP +/- 45 (dBm)	-2.26
NHPRP +/- 30 (dBm)	-3.25
Directivity (dBi)	4.97
Gain (dBi)	3.59
Average Gain (dB)	-1.38
Peak EIRP (dBm)	3.59
Max. Power (dBm)	3.59
Min. Power (dBm)	-27.9
Avg. Power (dBm)	-1.23
Max. / Min. Ratio (dB)	31.49
Max. / Avg. Ratio (dB)	4.82
Min. / Avg. Ratio (dB)	-26.67

**3.5GHz**



**上海安岗通讯电子有限公司**  
**Shanghai Universe Communication Electronics Co. Ltd**  
 地址：上海市闵行区澄建路 351 号 6 楼 邮编：201108 电话：021-64348850

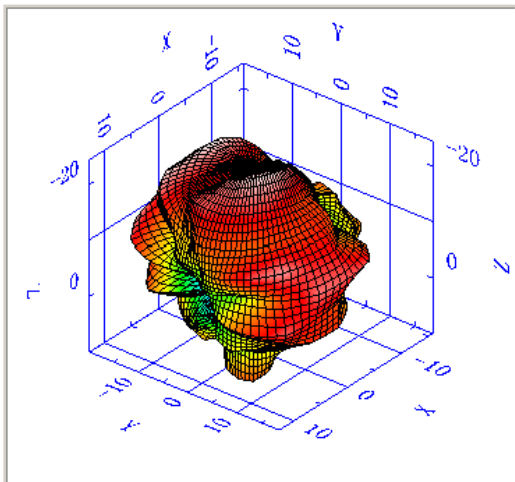
S

Location: **RF Chamber**  
 Temperaturer ( ): **22.00**

Date: **2007-3-30**  
 Humidity (%): **65.00**

Time: **11:02:21**  
 Approved by:

**Total View**



Frequency (MHz)	3800.00
TRP (dBm)	-1.11
Efficiency (%)	77.4
NHPRP +/- 45 (dBm)	-2.31
NHPRP +/- 30 (dBm)	-3.34
Directivity (dBi)	5.5
Gain (dBi)	4.38
Average Gain (dB)	-1.11
Peak EIRP (dBm)	4.38
Max. Power (dBm)	4.38
Min. Power (dBm)	-16.55
Avg. Power (dBm)	-0.69
Max. / Min. Ratio (dB)	20.93
Max. / Avg. Ratio (dB)	5.07
Min. / Avg. Ratio (dB)	-15.86

**3.8GHz**



**上海安岗通讯电子有限公司**  
**Shanghai Universe Communication Electronics Co. Ltd**  
 地址：上海市闵行区澄建路 351 号 6 楼 邮编：201108 电话：021-64348850

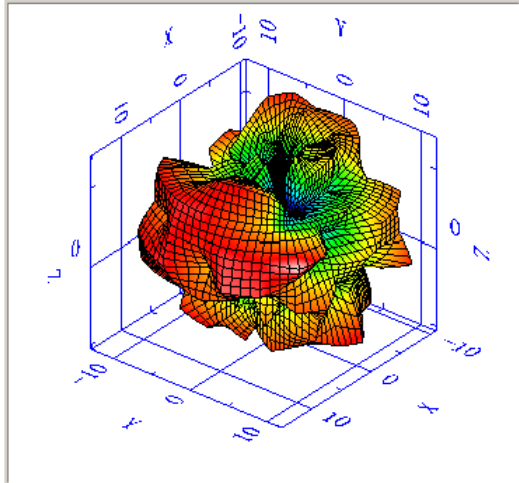
S

Location: **RF Chamber**  
 Temperatur ( ): **22.00**

Date: **2007-3-30**  
 Humidity (%): **65.00**

Time: **11:02:28**  
 Approved by:

**Total View**



Frequency (MHz)	5150.00
TRP (dBm)	-2.09
Efficiency (%)	61.74
NHPRP +/- 45 (dBm)	-2.84
NHPRP +/- 30 (dBm)	-3.98
Directivity (dBi)	5.73
Gain (dBi)	3.64
Average Gain (dB)	-2.09
Peak EIRP (dBm)	3.64
Max. Power (dBm)	3.64
Min. Power (dBm)	-13.26
Avg. Power (dBm)	-2.36
Max. / Min. Ratio (dB)	16.89
Max. / Avg. Ratio (dB)	5.99
Min. / Avg. Ratio (dB)	-10.9

**5.15GHz**



**上海安岗通讯电子有限公司**  
**Shanghai Universe Communication Electronics Co. Ltd**  
 地址：上海市闵行区澄建路 351 号 6 楼 邮编：201108 电话：021-64348850

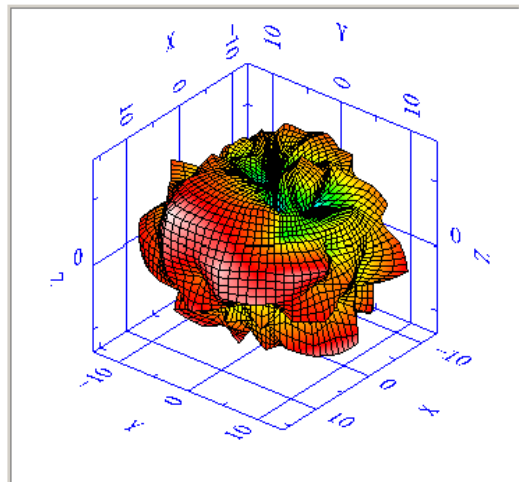
S

Location: **RF Chamber**  
 Temperatur ( ): **22.00**

Date: **2007-3-30**  
 Humidity (%): **65.00**

Time: **11:02:36**  
 Approved by:

**Total View**



Frequency (MHz)	5250.00
TRP (dBm)	-2.21
Efficiency (%)	60.1
NHPRP +/- 45 (dBm)	-2.99
NHPRP +/- 30 (dBm)	-4.2
Directivity (dBi)	4.78
Gain (dBi)	2.57
Average Gain (dB)	-2.21
Peak EIRP (dBm)	2.57
Max. Power (dBm)	2.57
Min. Power (dBm)	-15.24
Avg. Power (dBm)	-2.57
Max. / Min. Ratio (dB)	17.81
Max. / Avg. Ratio (dB)	5.14
Min. / Avg. Ratio (dB)	-12.67

**5.25GHz**



**上海安岗通讯电子有限公司**  
**Shanghai Universe Communication Electronics Co. Ltd**  
 地址：上海市闵行区澄建路 351 号 6 楼 邮编：201108 电话：021-64348850

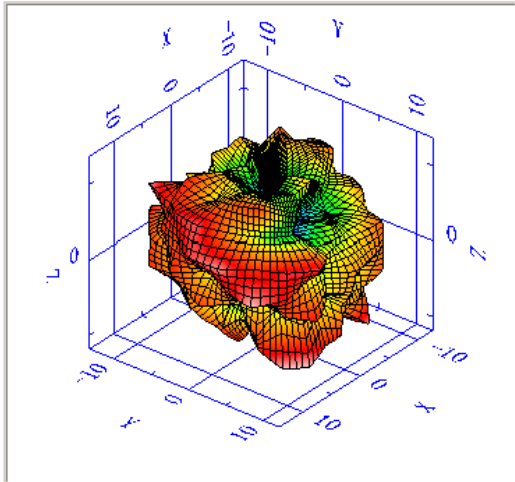
S

Location: **RF Chamber**  
 Temperatur ( ): **22.00**

Date: **2007-3-30**  
 Humidity (%): **65.00**

Time: **11:02:44**  
 Approved by:

**Total View**



Frequency (MHz)	5350.00
TRP (dBm)	-1.03
Efficiency (%)	78.92
NHPRP +/- 45 (dBm)	-1.79
NHPRP +/- 30 (dBm)	-3.07
Directivity (dBi)	4.76
Gain (dBi)	3.73
Average Gain (dB)	-1.03
Peak EIRP (dBm)	3.73
Max. Power (dBm)	3.73
Min. Power (dBm)	-12.15
Avg. Power (dBm)	-1.42
Max. / Min. Ratio (dB)	15.88
Max. / Avg. Ratio (dB)	5.15
Min. / Avg. Ratio (dB)	-10.73

**5.35GHz**



**上海安岗通讯电子有限公司**  
**Shanghai Universe Communication Electronics Co. Ltd**  
 地址：上海市闵行区澄建路 351 号 6 楼 邮编：201108 电话：021-64348850

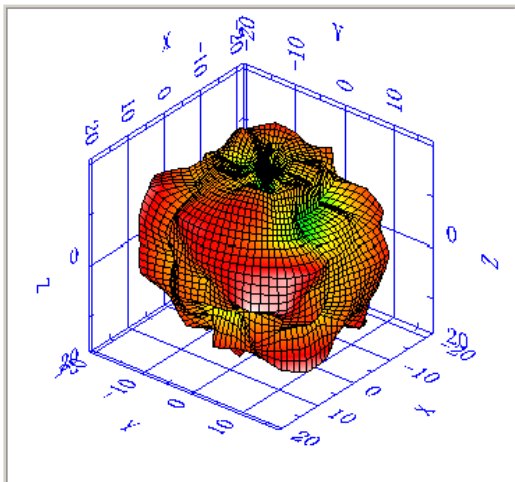
S

Location: **RF Chamber**  
 Temperatur ( ): **22.00**

Date: **2007-3-30**  
 Humidity (%): **65.00**

Time: **11:02:52**  
 Approved by:

**Total View**



Frequency (MHz)	5450.00
TRP (dBm)	-0.68
Efficiency (%)	85.58
NHPRP +/- 45 (dBm)	-1.36
NHPRP +/- 30 (dBm)	-2.68
Directivity (dBi)	5.44
Gain (dBi)	4.77
Average Gain (dB)	-0.68
Peak EIRP (dBm)	4.77
Max. Power (dBm)	4.77
Min. Power (dBm)	-19.17
Avg. Power (dBm)	-1.07
Max. / Min. Ratio (dB)	23.94
Max. / Avg. Ratio (dB)	5.83
Min. / Avg. Ratio (dB)	-18.11

**5.45GHz**



**上海安岗通讯电子有限公司**  
**Shanghai Universe Communication Electronics Co. Ltd**  
 地址：上海市闵行区澄建路 351 号 6 楼 邮编：201108 电话：021-64348850

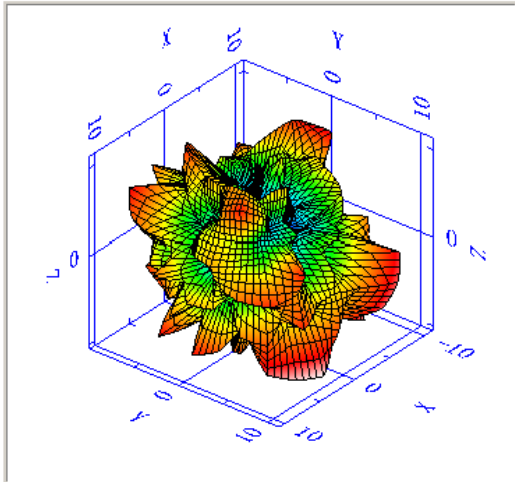
S

Location: **RF Chamber**  
 Temperatur ( ): **22.00**

Date: **2007-3-30**  
 Humidity (%): **65.00**

Time: **11:03:21**  
 Approved by:

**Total View**



Frequency (MHz)	5750.00
TRP (dBm)	-1.06
Efficiency (%)	78.31
NHPRP +/- 45 (dBm)	-1.82
NHPRP +/- 30 (dBm)	-3.15
Directivity (dBi)	5.49
Gain (dBi)	4.43
Average Gain (dB)	-1.06
Peak EIRP (dBm)	4.43
Max. Power (dBm)	4.43
Min. Power (dBm)	-10.02
Avg. Power (dBm)	-1.21
Max. / Min. Ratio (dB)	14.45
Max. / Avg. Ratio (dB)	5.64
Min. / Avg. Ratio (dB)	-8.81

**5.75GHz**



**上海安岗通讯电子有限公司**  
**Shanghai Universe Communication Electronics Co. Ltd**  
 地址：上海市闵行区澄建路 351 号 6 楼 邮编：201108 电话：021-64348850

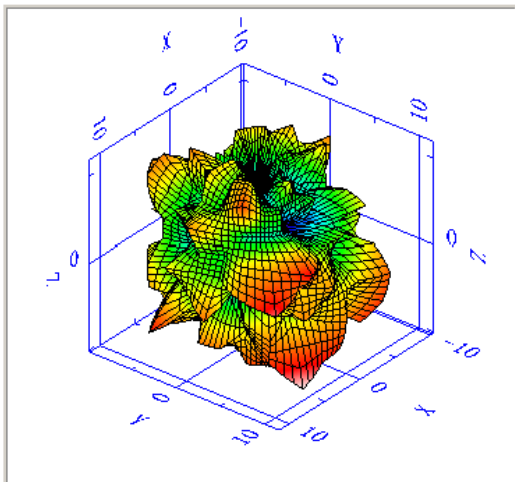
S

Location: **RF Chamber**  
 Temperatur ( ): **22.00**

Date: **2007-3-30**  
 Humidity (%): **65.00**

Time: **11:03:37**  
 Approved by:

**Total View**



Frequency (MHz)	5850.00
TRP (dBm)	-1.55
Efficiency (%)	69.99
NHPRP +/- 45 (dBm)	-2.42
NHPRP +/- 30 (dBm)	-3.81
Directivity (dBi)	6.52
Gain (dBi)	4.97
Average Gain (dB)	-1.55
Peak EIRP (dBm)	4.97
Max. Power (dBm)	4.97
Min. Power (dBm)	-10.66
Avg. Power (dBm)	-1.54
Max. / Min. Ratio (dB)	15.63
Max. / Avg. Ratio (dB)	6.51
Min. / Avg. Ratio (dB)	-9.12

**5.85GHz**