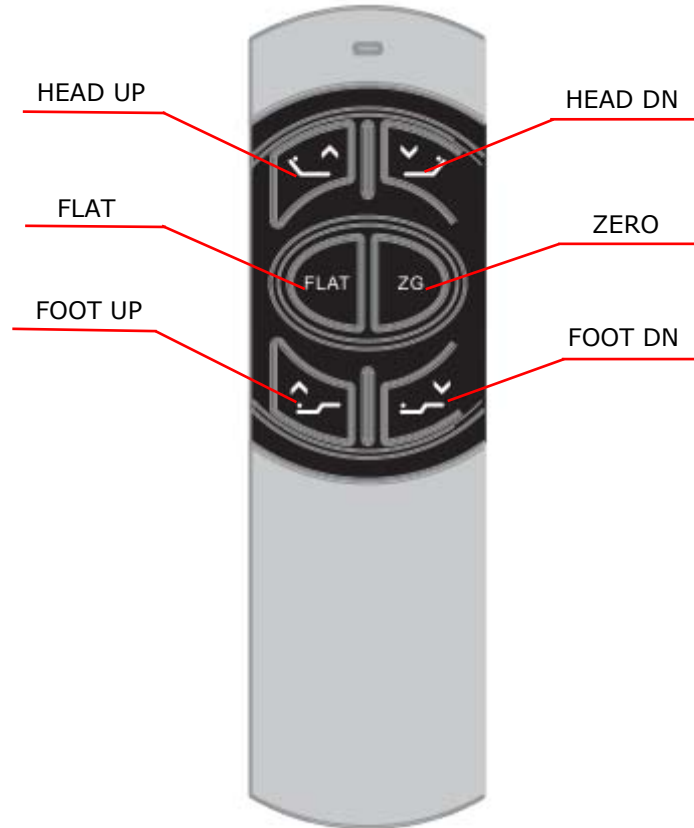


Operating Manual of Remote Control system

1. Interface of the remote control



2. Button description

- A. HEAD UP button: Press and hold the button, the Head actuator will go up. Stop when released.
- B. HEAD DN button: Press and hold the button, the Head actuator will go down. Stop when released.
- C. FOOT UP button: Press and hold the button, the Foot actuator will go up. Stop when released.
- D. FOOT DN button: Press and hold the button, the Foot actuator will go down. Stop when released.
- E. ZERO button: Click the button, the Head and Foot actuator will start up simultaneously and keep running until arriving to the zero gravity position. Running can be stopped by clicking any button.
- F. FLAT button: Click the button, the Head and Foot actuator will start up simultaneously and keep running until arriving to their low limited switches,. Running can be stopped by clicking any button.

The blue LEDs for backlight are on as long as any button is pressed. IF all buttons are released the LEDs will automatically turn off three seconds later.

The blue LED for power is always on as long as the power on.

FCC:

Any Changes or modifications not expressly approved by the party responsible for compliance could void the user's authority to operate the equipment.

This device complies with part 15 of the FCC Rules. Operation is subject to the following two conditions: (1) This device may not cause harmful interference, and (2) this device must accept any interference received, including interference that may cause undesired operation.

ISED RSS Warning:

This device complies with Innovation, Science and Economic Development Canada licence exempt RSS standard(s). Operation is subject to the following two conditions: (1) this device may not cause interference, and (2) this device must accept any interference, including interference that may cause undesired operation of the device.

Le présent appareil est conforme aux CNR d'ISED applicables aux appareils radio exempts de licence.

L'exploitation est autorisée aux deux conditions suivantes:

- (1) l'appareil ne doit pas produire de brouillage, et
- (2) l'utilisateur de l'appareil doit accepter tout brouillage radioélectrique subi, même si le brouillage est susceptible d'en compromettre le fonctionnement.