

Application **PBY8505001**

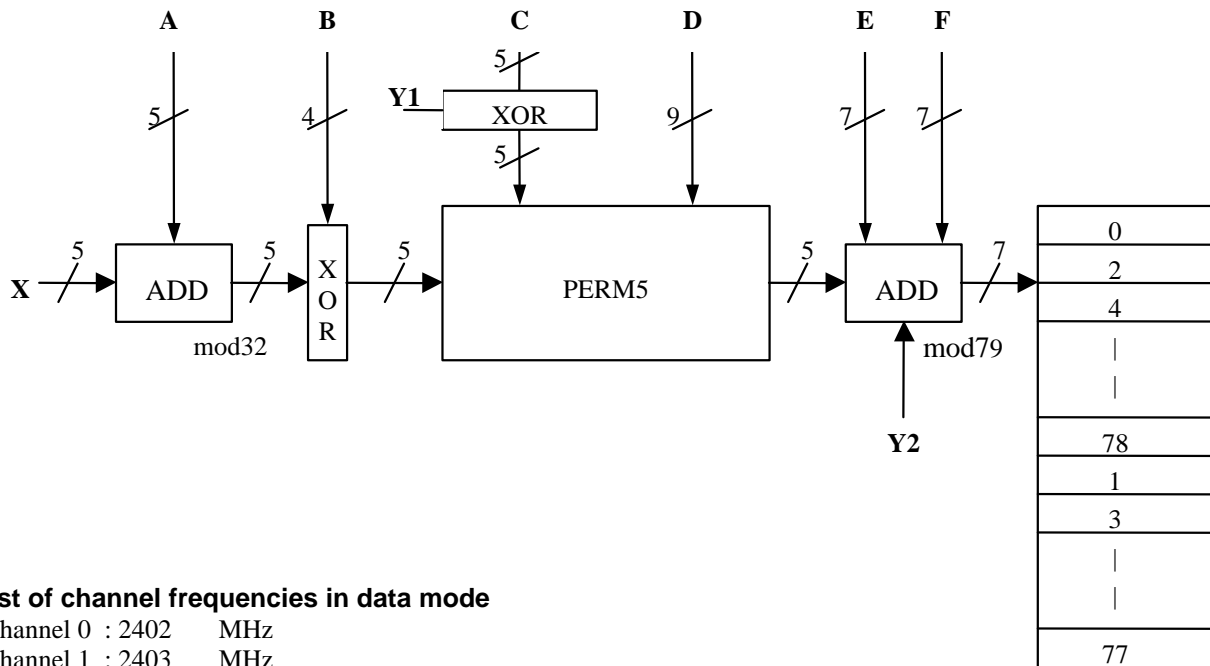
Additional information for the FCC approval of Ericsson headset **PBY8505001**

ref: pseudorandom hop sequence in data mode (2)

In the data mode the device uses a pseudorandom hopping sequence of 79 channels. Each unit will synchronize to the hopping sequence defined, but randomly selected, by the master unit.

The hop selection kernel for the 79 hop system is shown in the figure below. The X input determines the phase in the 32-hop segment, whereas Y1 and Y2 selects between master-to-slave and slave-to-master transmission. The inputs A to D determine the ordering within the segment, the inputs E and F determine the mapping onto the hop frequencies.

In this way a pseudo random hopping sequence is generated.



list of channel frequencies in data mode

- Channel 0 : 2402 MHz
- Channel 1 : 2403 MHz
- Channel n : 2402 + n Mhz
- Channel 78: 2480 MHz

sample of a few hop sequences in data mode

31, 62, 49, 24, 17, 16, 33, 48, 02, 42,
 18, 64, 49, 34, 65, 66, 06, 58, 22, 11,
 53, 50, 69, 03, 08, 44, 24, 76, 55, 36,
 71, 68, 12, 60, 28, 13, 59, 52, 75, 05,
 10, 46, 78, 57, 38, 73, 70, 14, 62, 30,
 15, 20, 09, 46, 45, 58, 43, 62, 47, 42,
 41, 78, 41, 72, 75, 13, 77, 15, 00, 76,
 73, 45, 24, 43, 28, 47, 32, 41, 20, 75

63, 01, 10, 17, 26, 76, 57, 13, 72, 03,
 18, 19, 78, 15, 02, 33, 12, 28, 45, 75,
 35, 20, 51, 36, 31, 47, 04, 72, 06, 09,
 22, 53, 69, 14, 70, 61, 07, 77, 55, 71,
 58, 53, 12, 69, 26, 59, 50, 75, 66, 57,
 18, 73, 34, 31, 40, 47, 56, 29, 08, 45,
 24, 35, 48, 51, 64, 33, 16, 49, 32, 63,
 44, 00, 60, 61, 12, 77, 28, 67, 52, 04
 68, 43, 62, 20, 17, 04, 13, 36, 21, 67