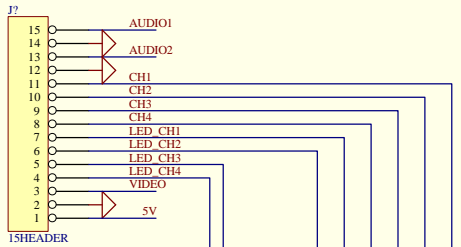
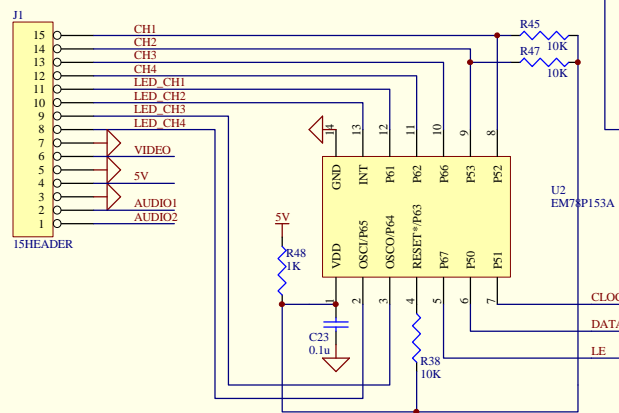
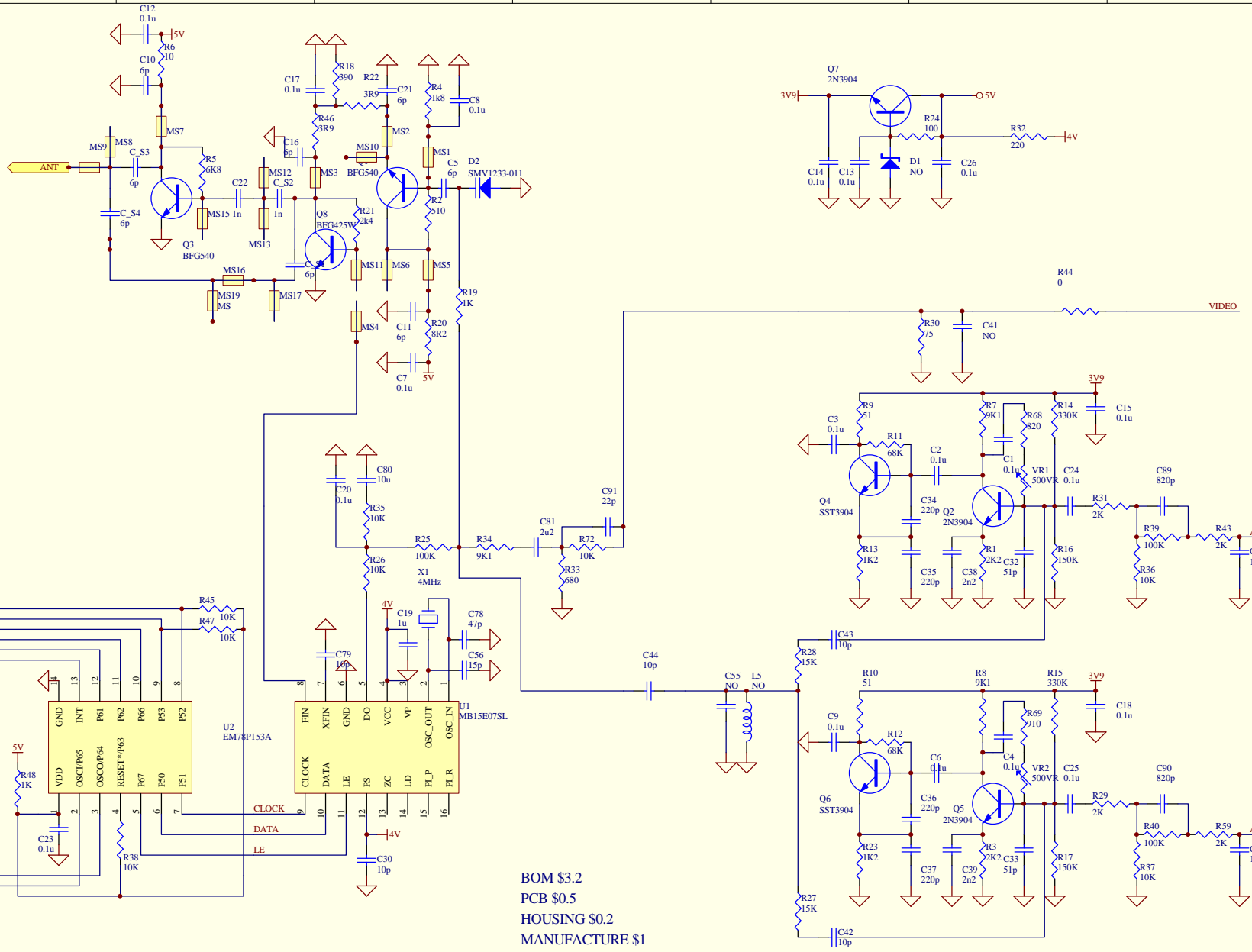


BOM \$6.8
 PCB \$1
 HOUSING \$0.3
 MANUFACTURE \$1
 TESTING \$1
 TOTAL \$10.1



| | | |
|-------------------|----------------------------|-----------|
| Title | | |
| AVMR-80 SCHEMATIC | | |
| Size | Number | Revision |
| A3 | | |
| Date: | 17-Oct-2000 | Sheet of |
| File: | E:\Arfitech\Video_t rs.Sch | Drawn By: |



| RS1 | RS2 | SW TYPE |
|--------|--------|---------------------------|
| X | X | SLIDE 4P(CH1_GND-CH4_GND) |
| 10K_5V | X | TACT(CH1_GND) |
| 10K_5V | 10K_5V | 2PIN JUMP(CH1,CH2) |

BOM \$3.2
 PCB \$0.5
 HOUSING \$0.2
 MANUFACTURE \$1
 TESTING \$1
 PACKING \$0.3
 TOTAL \$6.2

| Title | | |
|-------|--------------------------|-----------|
| Size | Number | Revision |
| A3 | | |
| Date: | 17-Oct-2000 | Sheet of |
| File: | E:\Arfatech\Video_tx.Sch | Drawn By: |