

SRHHG32D

User Guide





The Kroger Co.
Release 1.0
Version 1.0

Copyright © 2015, The Kroger Co. All rights reserved.

No part of this publication may be reproduced, transmitted, transcribed, stored in a retrieval system, or translated into any language, in any form or by any means, electronic, mechanical, photocopying, recording, or otherwise, without prior written permission from The Kroger Co.

All copyright, confidential information, patents, design rights and all other intellectual property rights of whatsoever nature contained herein are and shall remain the sole and exclusive property of The Kroger Co. The information furnished herein is believed to be accurate and reliable. However, no responsibility is assumed by The Kroger Co. for its use, or for any infringements of patents or other rights of third parties resulting from its use.

The Kroger Co. name and The Kroger Co. logo are trademarks or registered trademarks of The Kroger Co. All other trademarks are the property of their respective owners.



Table of Content

1	INTRODUCTION.....	5
2	SRHHG32D SPECIFICATIONS.....	6
2.1	PROCESSING	6
2.2	POWER.....	6
2.3	CUSTOMER APPLICATIONS	6
2.4	FIRMWARE UPDATES	6
2.5	OPERATING CONDITIONS	6
2.6	DIMENSIONS.....	6
2.7	APPROVALS	7
3	POWER REQUIREMENTS	8
4	INTERFACE DETAILS	9
4.1	USER INTERFACES	9
4.2	ZIGBEE INTERFACE:	9
5	FCC COMPLIANCE STATEMENTS	10
6	OPERATIONAL INSTRUCTION.....	10



Revision History

Date	Change Description	Revision
15-Dec-17	Initial Revision	0.1
18-Dec-17	Sent for Kroger Review	0.2
19-Dec-17	Sent to TUV	0.3
19-Jan-18	Baselined	1.0



1 Introduction

SRHHG32D is a rechargeable battery operated shopping device. Gen3 Handheld has two ZigBee modules for wireless connectivity.

Benefits

- SRHHG32D device can be used for shopping without associate help/interference.
- Scan barcode and QR Code of any product in Kroger store and get product details from server and add/remove to your shopping list.
- Product detail will transfer over Zigbee network through nearest Zigbee access point.
- Handheld can be used as a walkie-talkie for voice communication.
- It support vibrator to give a feeling of a button press events
- It supports image capturing through CMOS imager.



2 SRHHG32D Specifications

2.1 Processing

- 456-MHz ARM926EJ-S RISC Core SoC
- 256MB DDR2 RAM
- 256MB NAND FLASH
- FCC Certified ZigBee Modules (2 Nos.)

2.2 Power

- Battery :-
 - Input Voltage to handheld system: 3.7 V@2100mAH Li-Io Battery
 - Input Current to handheld system: 450mA (MAX.)

Note: Battery can be charged through a Docking station or battery charger. The docking station and the Battery charger is not a part of supplied item with this device.

2.3 Customer Applications

- Barcode Laser Scanner
- Data transfer over Zigbee network
- Voice communication over Zigbee network
- CMOS Imager

2.4 Firmware Updates

- Firmware updates over Zigbee network

2.5 Operating Conditions

- Temperature: 5 to 45° C (41 to 113 °F)
- Humidity: 20 to 80% RH
- Indoor (store) use only

2.6 Dimensions

- Height: 142 mm
- Width: 73mm
- Depth: 28 mm



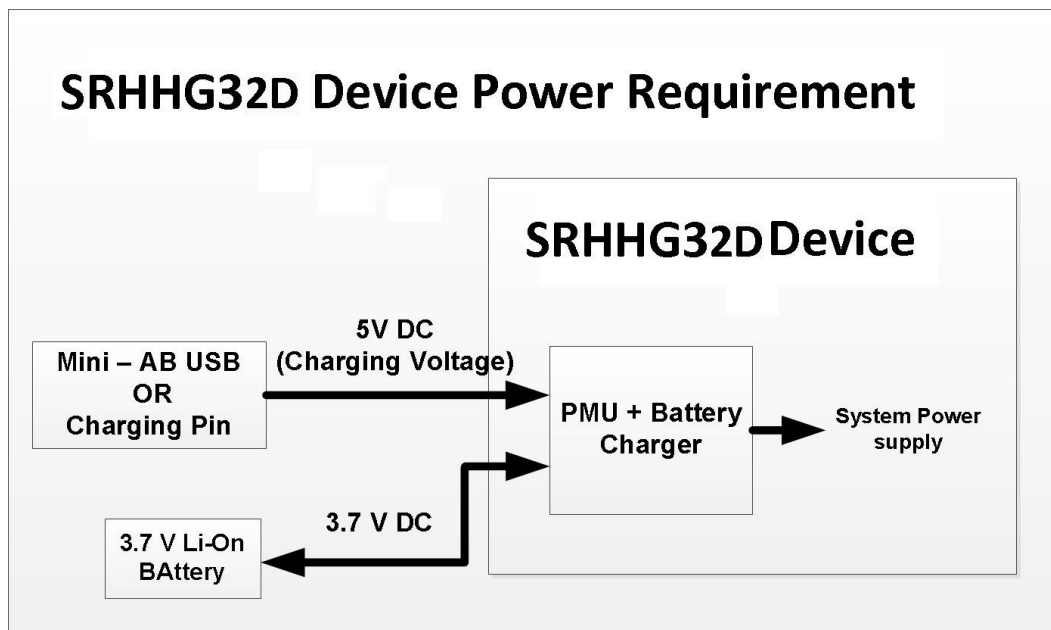
2.7 Approvals

- EMI
 - FCC Wireless subpart C

3 Power Requirements

The SRHHG32D is powered by a rechargeable Li-Io battery. This can be recharge through mini USB connector OR Charging pins.

Battery Charger is not part of standard packaging nor is the docking station for the charging pins. The standard FCC/CE/UL certified off-the-shelf USB charging devices or certified charging cradle/docking should be used.





4 Interface Details

SRHHG32D Device provides Network terminal access only through debug board connection which is in-turn password protected.

4.1 User Interfaces

- **Key Interface** : Key board for function operation and Power ON/OFF Button
- **Display** : 2.8" RGB Graphic LCD
- **Microphone** : Omani directional mic
- **Speaker** : 1 Watt , SMD
- **Barcode scanner** : Laser base barcode scanner
- **CMOS Imager** : VGA Camera

4.2 ZigBee Interface:

SRHHG32D has two FCC certified ZigBee modules place orthogonally on the board for a wireless connectivity with store's Zigbee network.



5 FCC Compliance Statements

FCC ID: PBR-SZHHG32D

FCC compliance statements

1. This device may not cause harmful interference, and
2. This device must accept any interference received, including Interference that may cause undesired operation

FCC Caution!!!

- Any changes or modifications not expressly approved by the party Responsible for compliance could void the user's authority to operate this Equipment

Part 15B compliance statements for digital devices:

NOTE: This equipment has been tested and found to comply with the limits for a Class B digital device, pursuant to part 15 of the FCC Rules. These limits are designed to provide reasonable protection against harmful interference in a residential installation. This equipment generates, uses and can radiate radio frequency energy and, if not installed and used in accordance with the instructions, may cause harmful interference to radio communications. However, there is no guarantee that interference will not occur in a particular installation. If this equipment does cause harmful interference to radio or television reception, which can be determined by turning the equipment off and on, the user is encouraged to try to correct the interference by one or more of the following measures:

- Reorient or relocate the receiving antenna.
- Increase the separation between the equipment and receiver.
- Connect the equipment into an outlet on a circuit different from that to which the receiver is connected.
- Consult the dealer or an experienced radio/TV technician for help.

6 Operational Instruction

For SRHHG32D operational instruction, please contact Vendor/Manufacturer for latest updated instruction guide.