


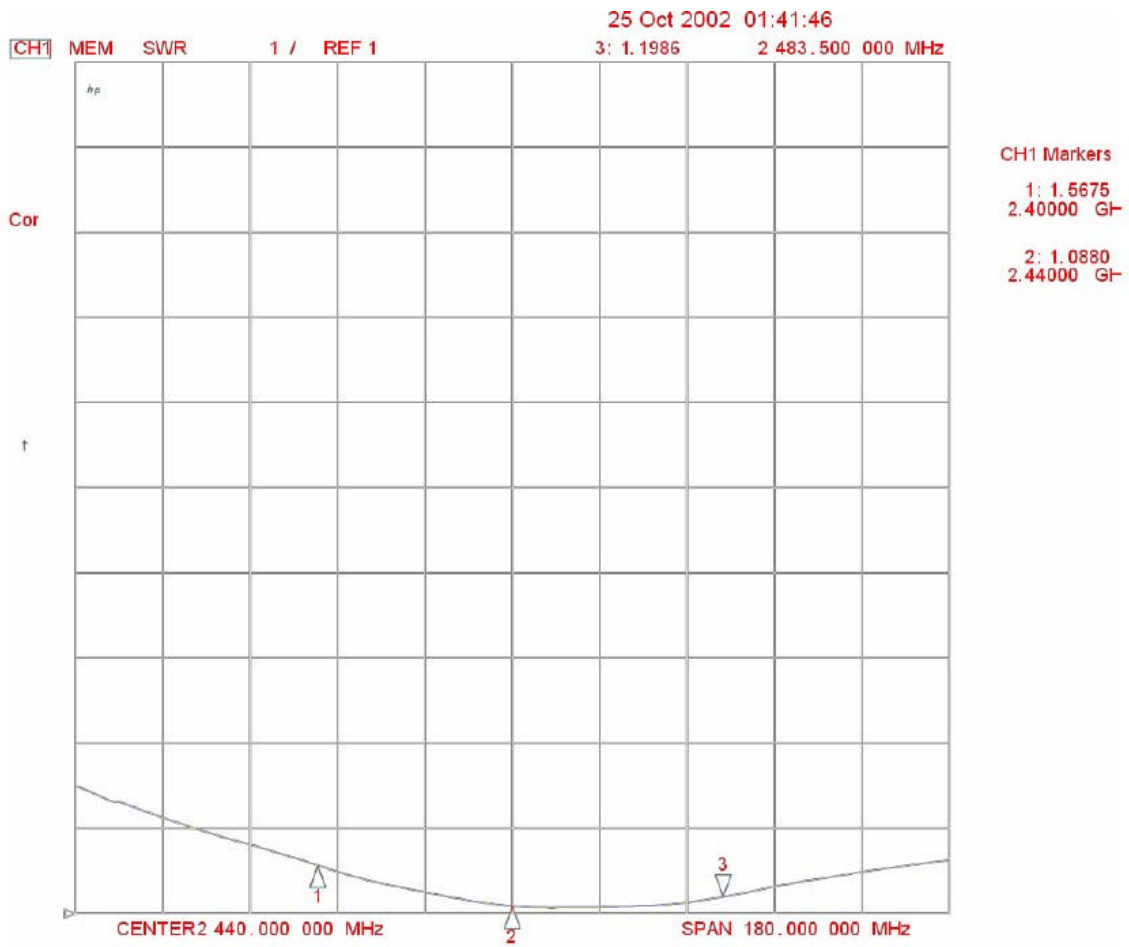
| | | | | | |
|-----------------------------------------------------------------------------------|-----------------------------------------------------------|------|---------------|------|--------|
|  | Document No. | Rev. | A | Page | 1 of 7 |
| Model Name | Wire Antenna | Data | June 16, 2005 | | |
| Application System | 2.4GHz Digital Data Transmitter, Frequency hopping, W-LAN | | | | |

SPECIFICATIONS SHEET

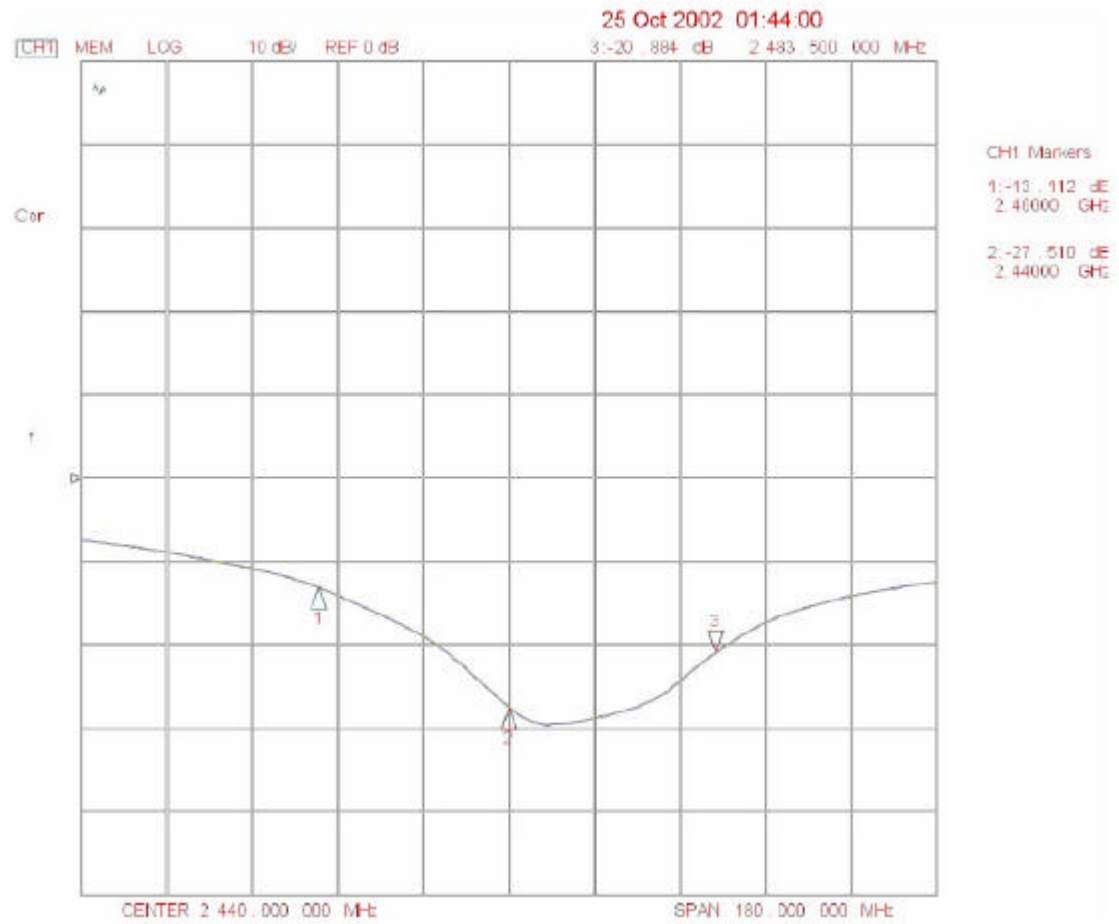
| Electrical Specification | |
|---------------------------------|------------------|
| Frequency | 2400~2483.5MHz |
| Band Width | 83.5MHz |
| V.S.W.R | 1.9 : 1 (Max) |
| Gain(Max) | 2(dBi) ±1 (max) |
| Nominal Impedance | 50 ohm |
| Polarization | Linear, Vertical |

| Mechanical Specification | |
|---------------------------------|------------|
| Size | 30mm*0.7mm |
| Weight | 18g |
| Radiator Material | Copper |
| Operating Temp | -30~90() |
| Operation Humidity | 10~90(%) |
| Option | N/A |

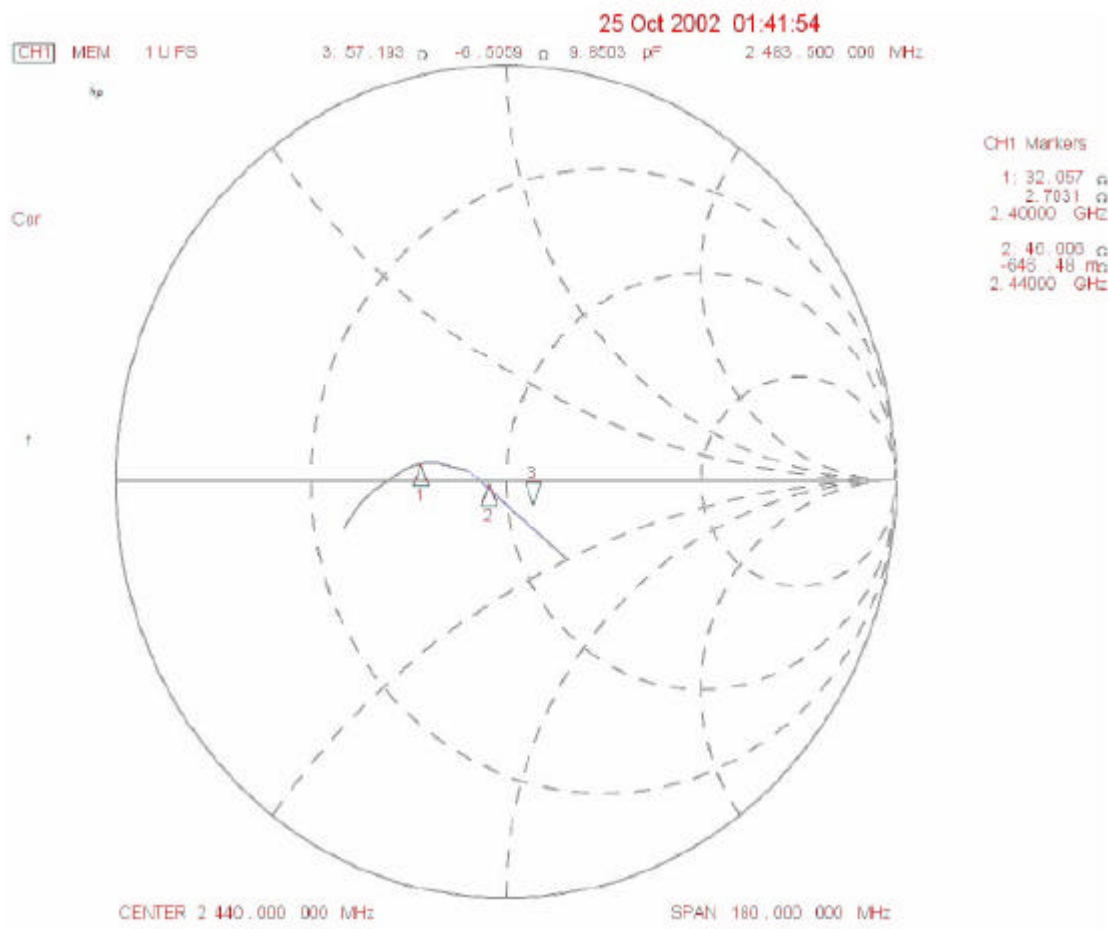
1. VSWR



2. Return Loss(S11)

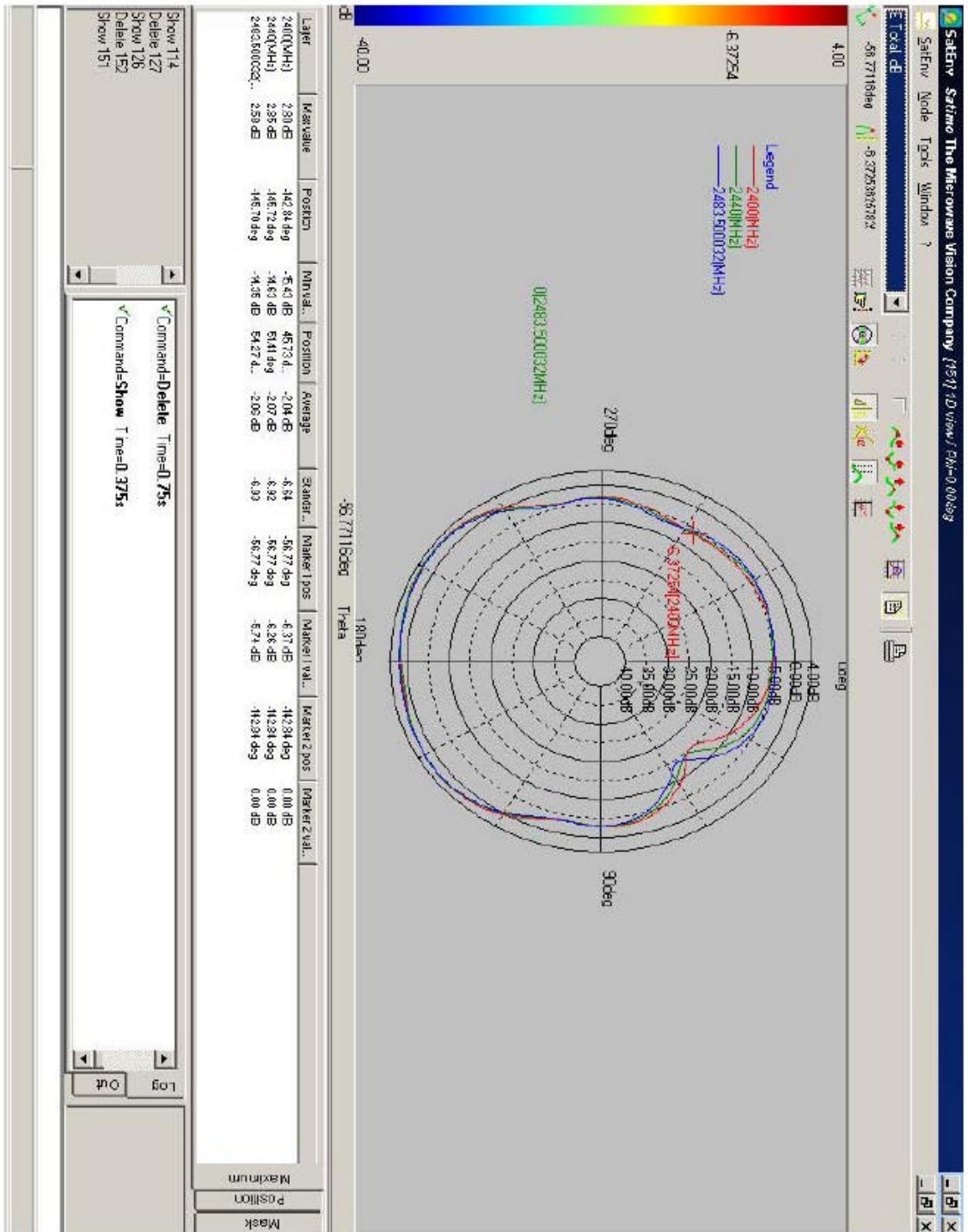


3. Smith Chart

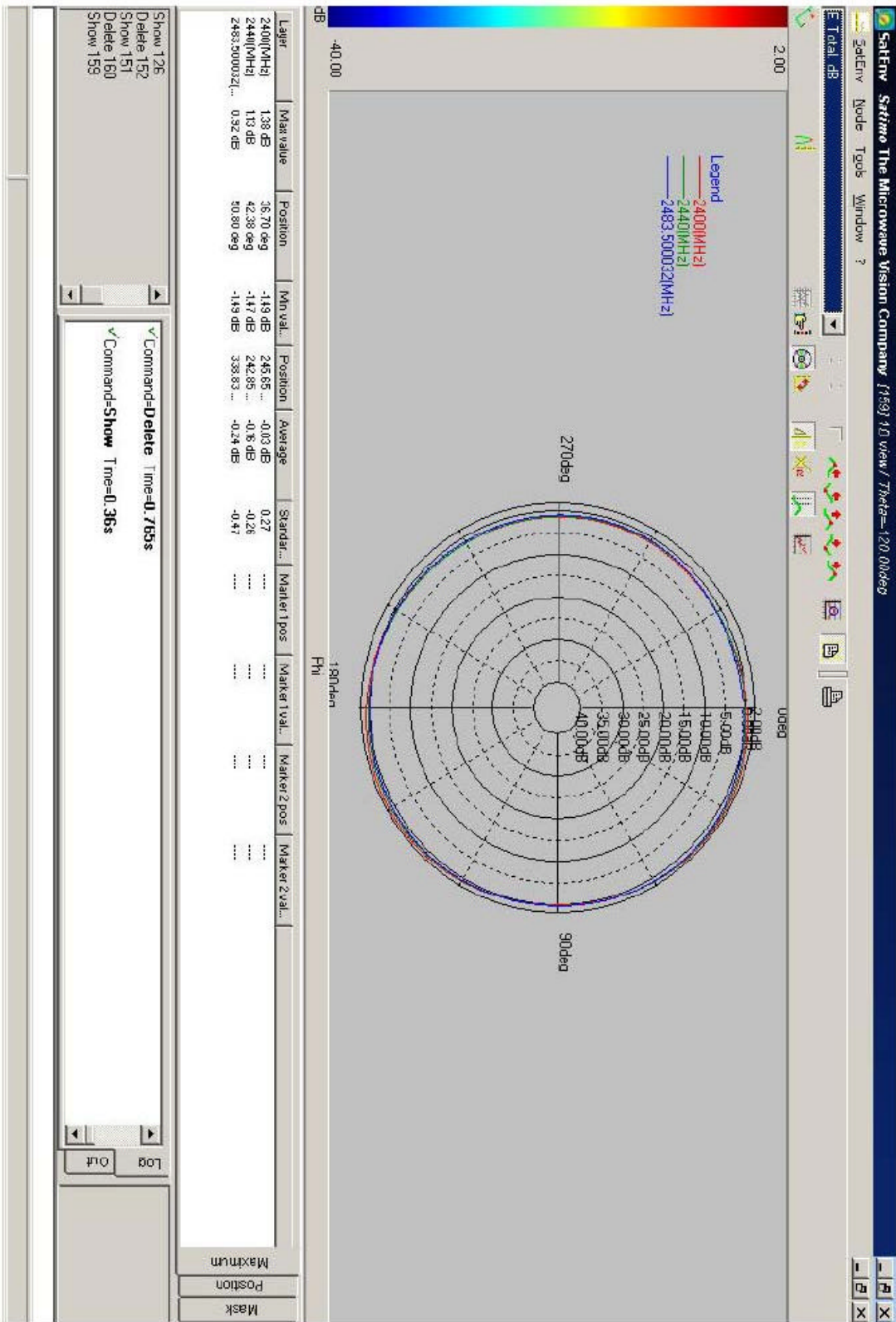


4. Radiation Pattern

Horizontal



Vertical



5. Mechanical Drawing

Unit : mm

