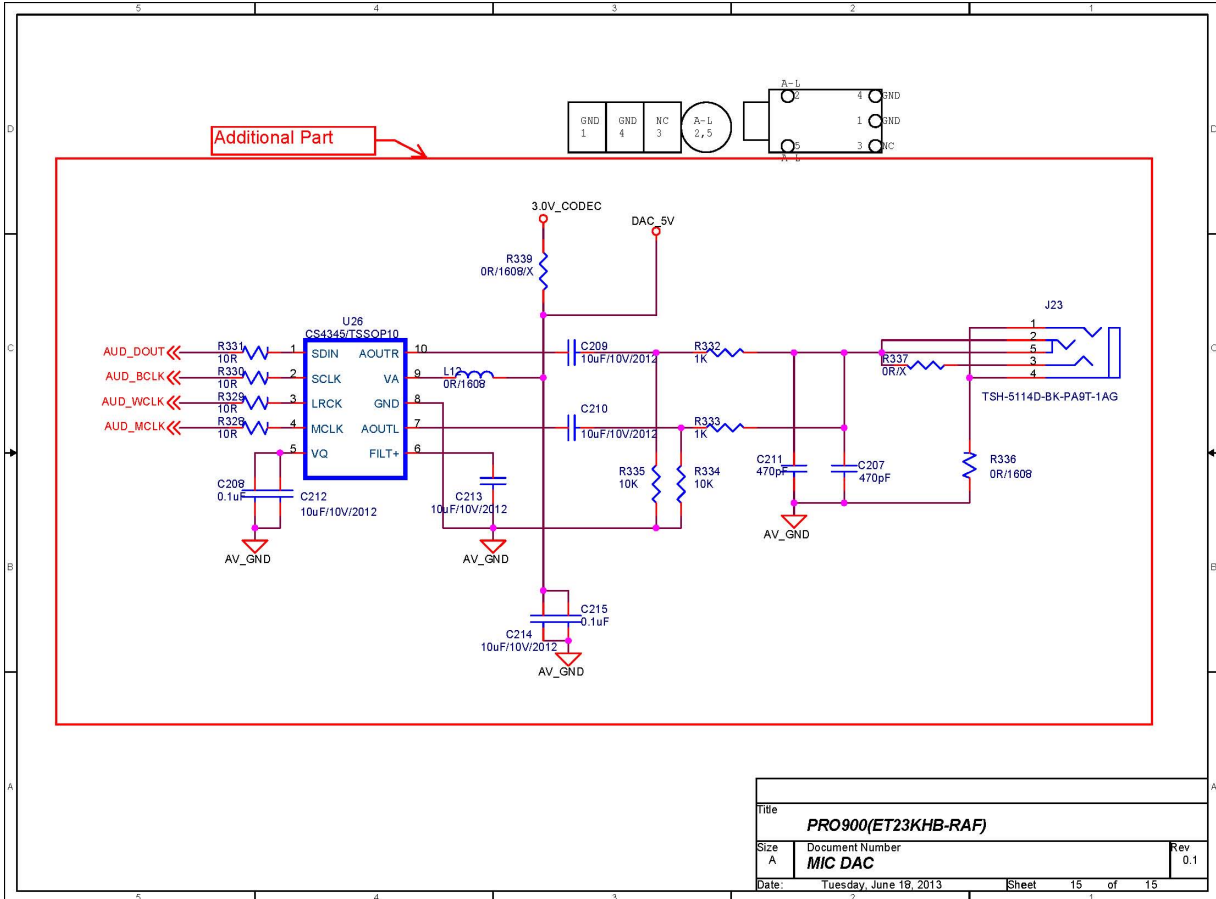
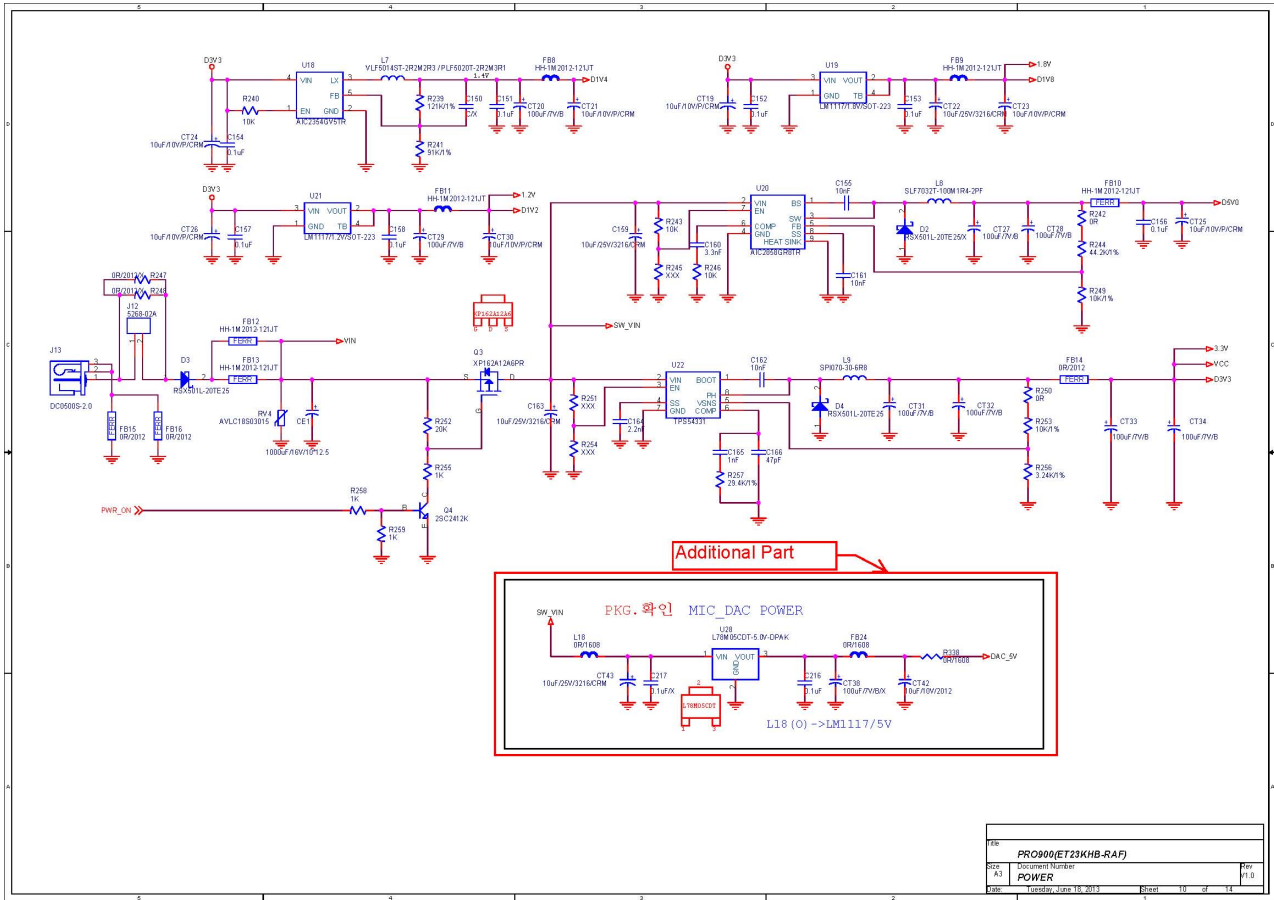


# MAIN BOARD Change Part

## Additional Part Schematic

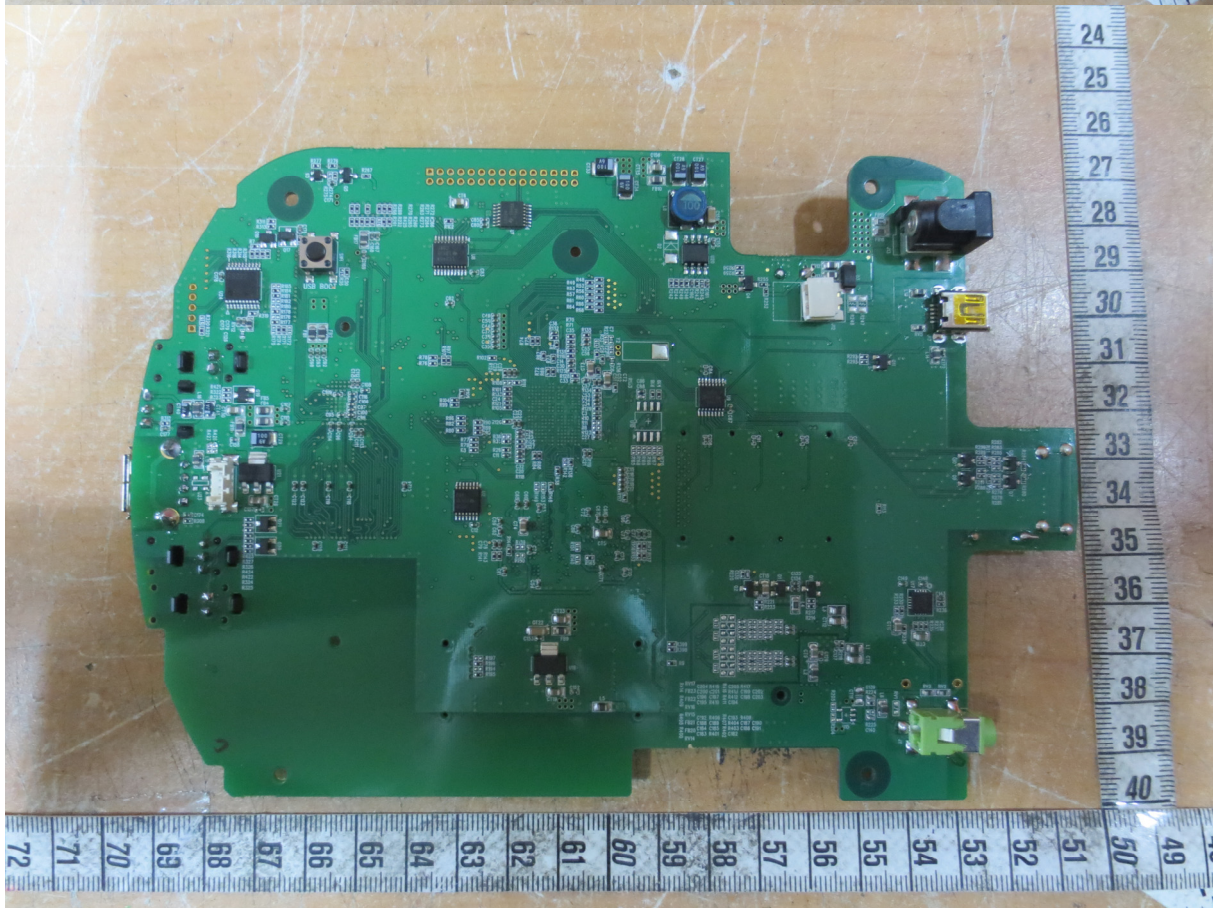
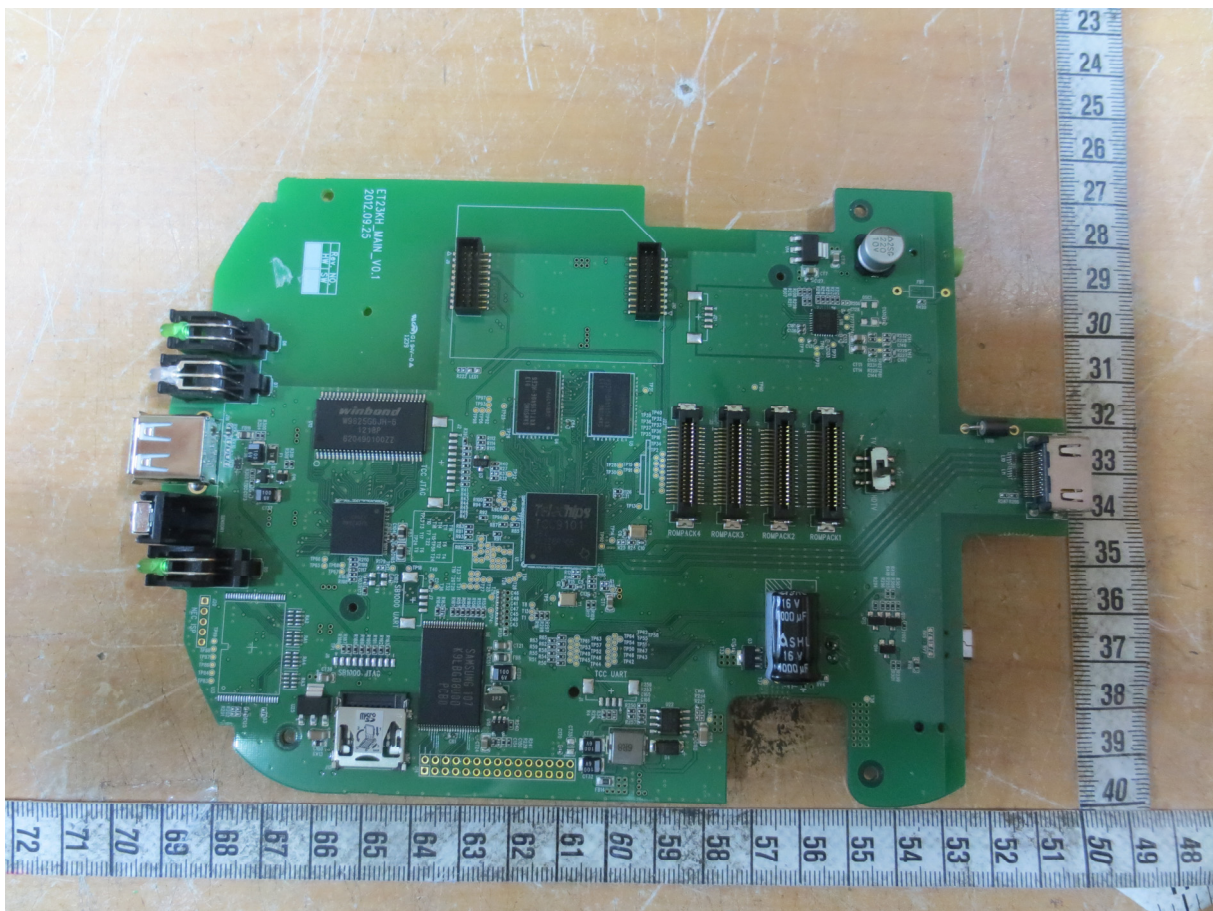


## Additional Part List

Part	Quantity	reference
CERAMIC CHIP [CS3216X5R106K250NRI]	1	C43
CERAMIC CHIP [GRM155F51C104ZA01D]	3	C208,C215,C216
CERAMIC CHIP [GRM21BR61A106KE19L]	6	CT42,C209,C210,C212,C213,C214
RESISTOR CHIP [MCR01MZSJ100]	4	R328,R329,R330,R331
RESISTOR CHIP [MCR01MZSJ102]	2	R332,R333
RESISTOR CHIP [MCR01MZSJ103]	2	R334,R335
CERAMIC CHIP [GRM1555C1H471JA01D]	2	C207,C211
I.C D-A CONVERTER [CS4345-CZZ]	1	U26
I.C REGULATOR [L78M05CDT-5.0V-DPAK]	1	J28
JACK AUDIO [TSH-5114D-BK-PA9T-1AG]	1	J23
RESISTOR CHIP [MCR03EZHZJ000]	5	L12,L18,FB24,R336,R338

# Main Board Photos

Before





After

