

RF Antenna Cable Assembly

Specification

1. Electrical Properties :

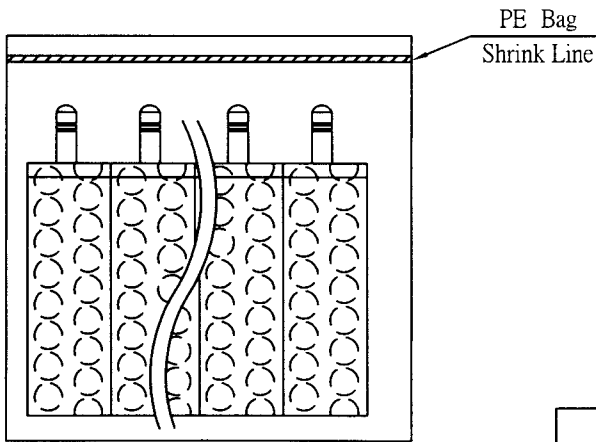
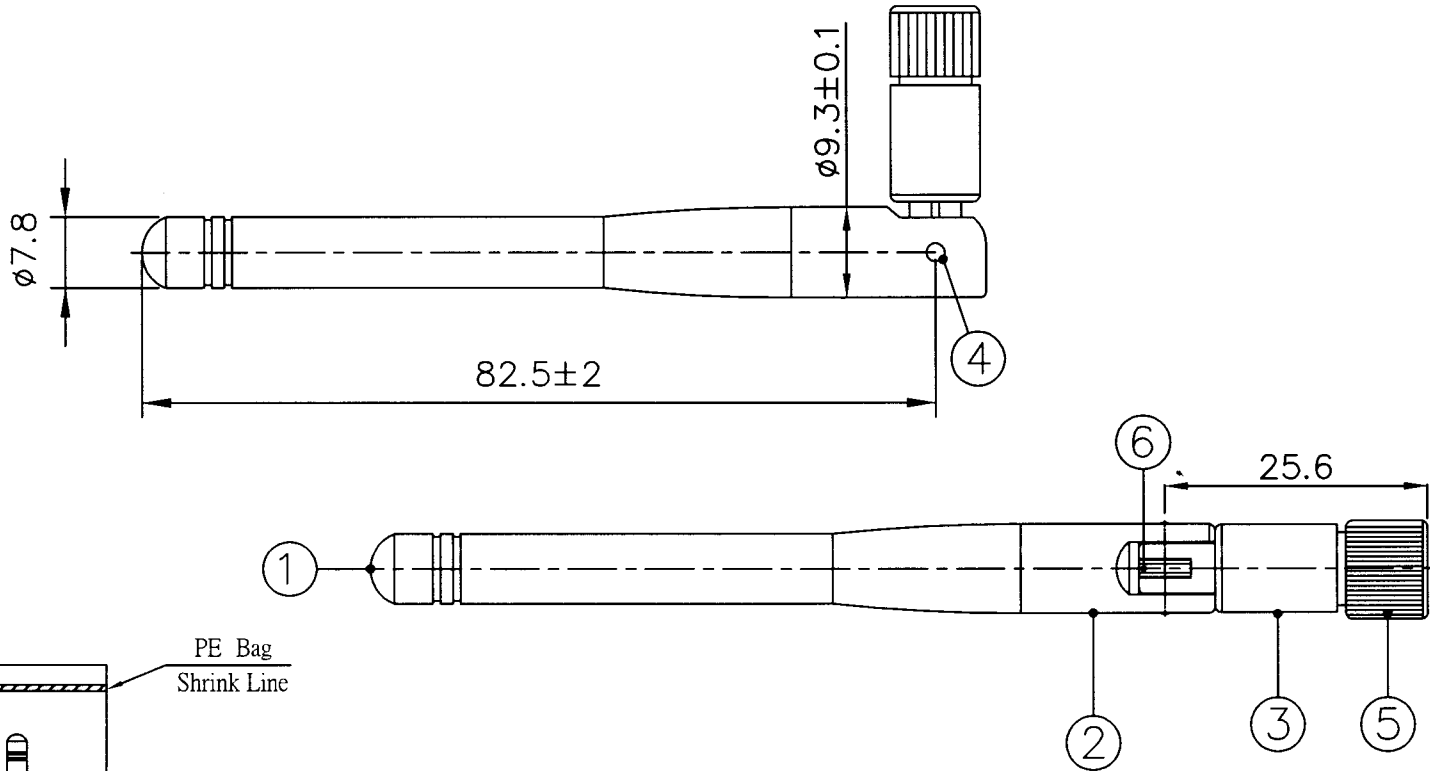
- 1.1 Frequency Range..... 2.4GHz ~ 2.5GHz
- 1.2 Impedance 50Ω Nominal
- 1.3 VSWR 1.92 Max.
- 1.4 Return Loss..... -10 dB Maximum
- 1.5 Radiation Omni-directional
- 1.6 Gain(peak)..... 1.8dBi
- 1.7 Polarization..... Linear Vertical
- 1.8 Admitted Power..... 1W

2. Physical Properties :

- 2.1 Cable..... RG-178 Coaxial Cable
- 2.2 Antenna Cover..... TPE
- 2.3 Antenna Base..... PC
- 2.4 Antenna Base..... PBT
- 2.5 Operating Temp. -20 ~ +65
- 2.6 Storage Temp. -30 ~ +75
- 2.7 Color Black
- 2.8 Connector..... SMA Plug Reverse

CG-

REV	DATE	DESCRIPTION
X1	1/11-2006	NEW ISSUE



Packing : 20 pcs/bag

CUSTOMER'S SINGATURE

XX.	± 5	APPROVED
X.	± 1.0	<i>[Signature]</i>
.X	± 0.1	CHECKED
.XX	± 0.01	<i>[Signature]</i>
.XXX	± 0.005	DRAWING
		<i>[Signature]</i>

CUSTOMER: 永洋科技股份有限公司

PART NO : 11310Y10126A1

PARTNAME: RF Antenna Assembly

W.Y P/NO : C381-510085-A

REV UNIT FILE :

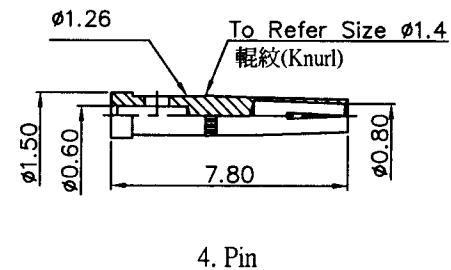
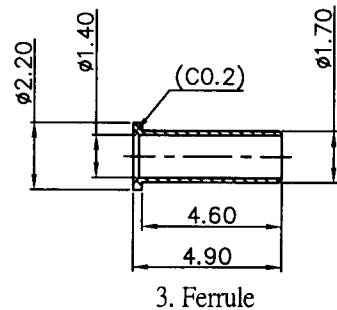
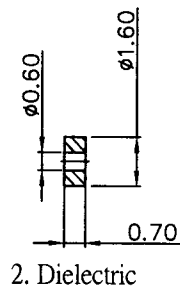
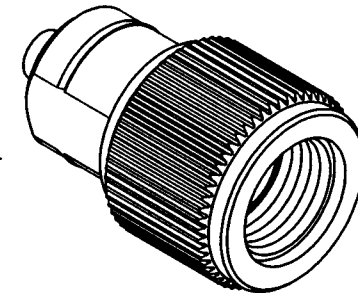
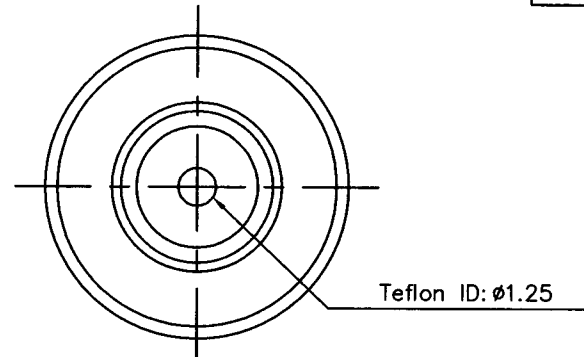
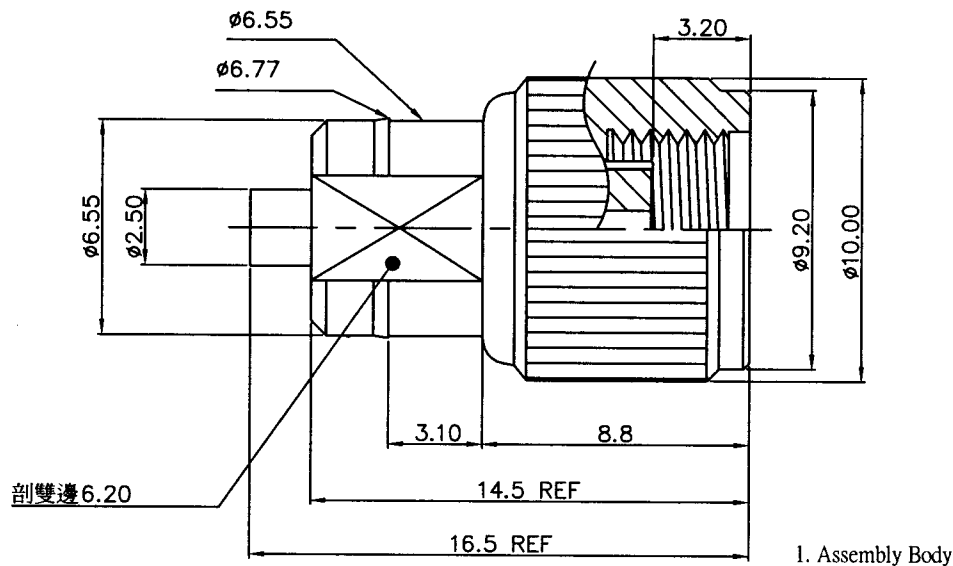
X1 m/m SHEET : 1/1

NO	DESCRIPTION	QTY	REMARK
6	Cable	RG-178 , Translucent Brown ; 50 Ω	1
5	Connector	SMA Straight Plug/Reverse (電著黑)	1
4	Rivet	Brass , Zn Plated (Black)	2
3	Antenna Base	PBT ; Color:Black	1
2	Antenna Base	PC ; Color:Black	1
1	Antenna Cover	TPE ; Color:Black	1

Wha Yu INDUSTRIAL CO.,LTD.

華裕實業股份有限公司
THIS DRAWING, AND IT'S INHERANT DESIGN CONCEPTS, ARE THE PROPERTY OF WHA YU AND AS SUCH MAY NOT BE COPIED, REPRODUCED, OR GIVEN TO THIRD PARTIES WITHOUT THE WRITTEN CONSENT OF WHA YU.


F		G	
REV	DATE	DESCRIPTION	
X1	12/19-2005	New Issue	



4	Pin	Brass	1	100-2001001-AD	Gold Plated 5 μ "
3	Ferrule	Brass	1	100-2001001-AC	Nickel Plated 80 μ "
2	Dielectric	Teflon	1	100-2001001-AB	N/A
1	Assembly Body	Brass	1	100-2001150-AA	電著外觀黑色.牙黑色.本體鍍白銀
NO	DESCRIPTION	MATERIAL	QTY	P/N	REMARK

XXX.	±2.0	APPROVED	<i>[Signature]</i>
XX.	±1.0		
X.	±0.5	CHECKED	<i>[Signature]</i>
.X	±0.2		
.XX	±0.1	DRAWING	
		程淑娟	

VENDER					
PART NO					
PARTNAME		SMA Plug Reverse Straight For RG-178			
W.Y P/NO		100-2001150-AZ			
REV	UNIT	SCALE	SIZE	SHEET	FILE NAME
X1	mm	4 / 1	A 4	1 OF 1	


Wha Yu
INDUSTRIAL CO.,LTD
 譚裕實業股份有限公司

THIS DRAWING, AND ITS INHERANT DESIGN CONCEPTS, ARE THE PROPERTY OF WHA YU AND AS SUCH MAY NOT BE COPIED, REPRODUCED, OR GIVEN TO THIRD PARTIES WITHOUT THE WRITTEN CONSENT OF WHA YU.

RF Antenna Assembly
P/NO :C381-510085-A SPEC : 2.4GHz

5 Feb 2005 09:16:17

[CH1] SWR 1 / REF 1
S22 3: 1.2239 2 500.000 000 MHz

CH3 S22 1 U FS
3: 60.313 Ω -4.1387 Ω 15.382 pF
2 500.000 000 MHz



CH1 Markers
1: 1.3532
2.40000 GHz
2: 1.1097
2.45000 GHz

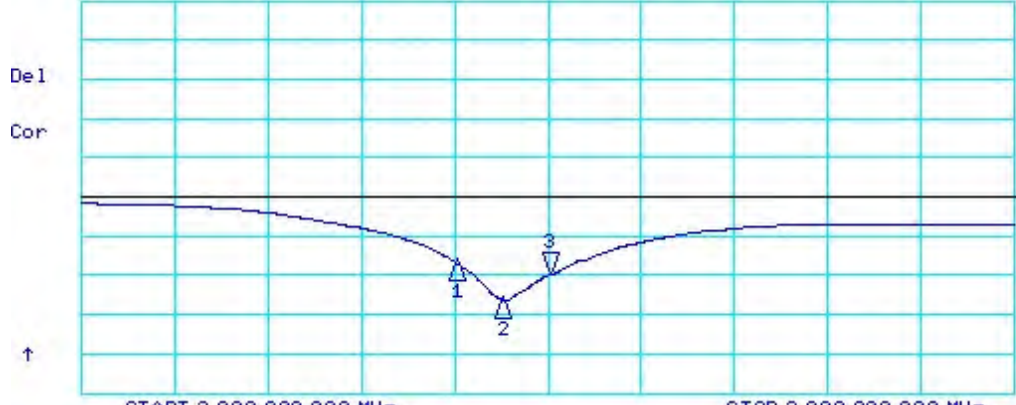


CH3 Markers
1: 37.309 Ω
3.3184 Ω
2.40000 GHz
2: 51.135 Ω
5.1445 Ω
2.45000 GHz

START 2000.000 MHz STOP 3000.000 MHz

START 2000.000 MHz STOP 3000.000 MHz

CH2 S22 LOG 10 dB/REF 0 dB 3: -19.941 dB 2 500.000 000 MHz



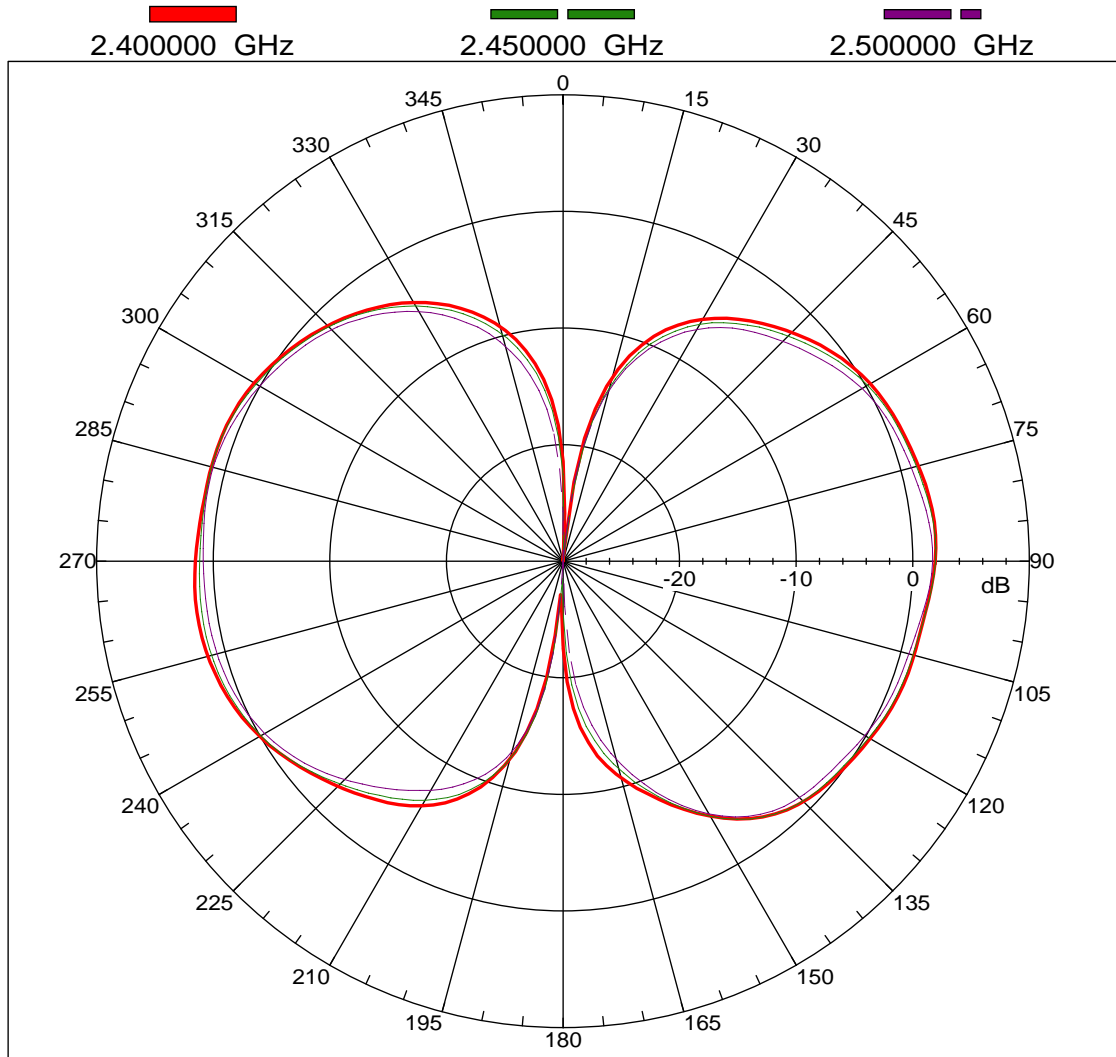
CH2 Markers
1: -16.472 dB
2.40000 GHz
2: -25.673 dB
2.45000 GHz

START 2 000.000 000 MHz

STOP 3 000.000 000 MHz

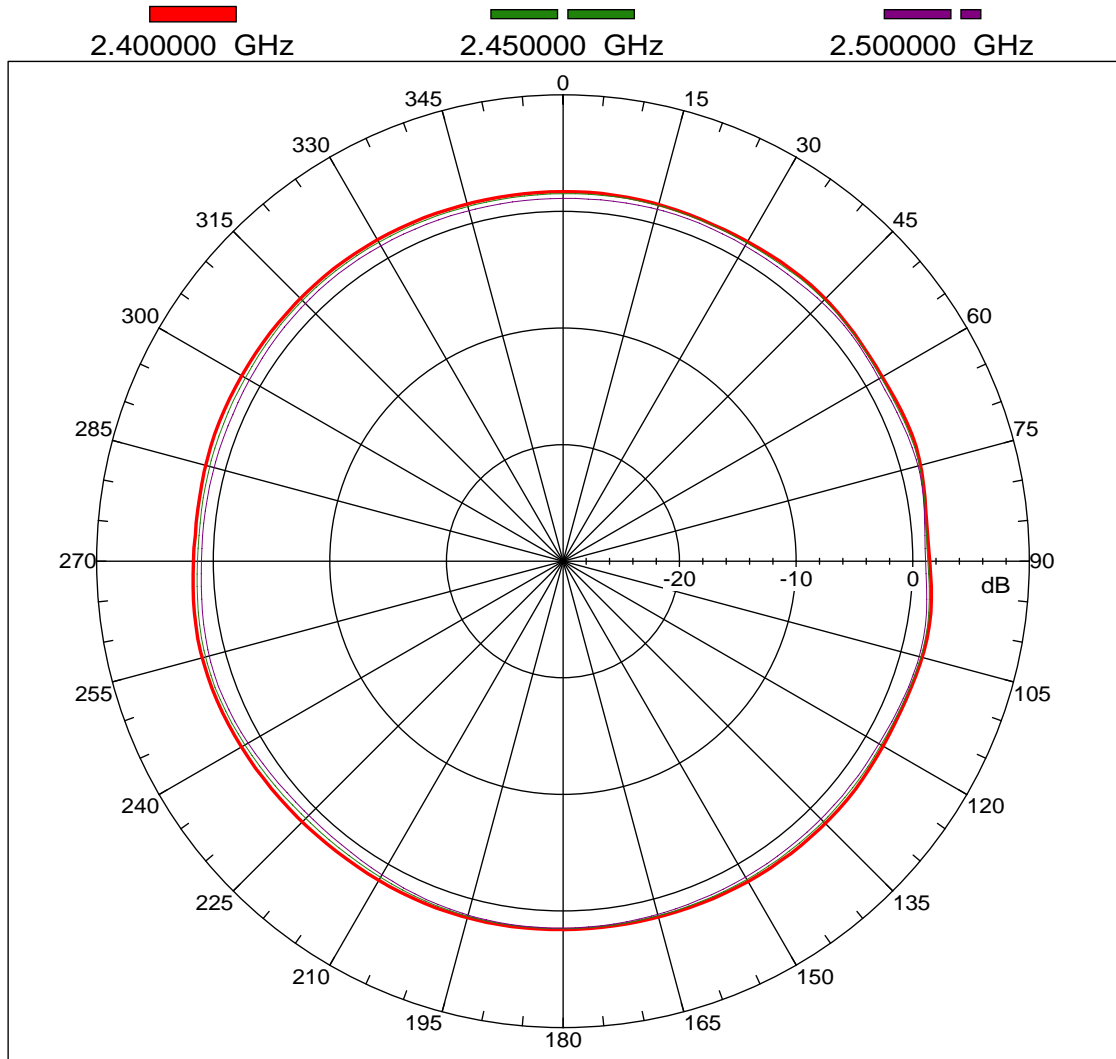
10/7/2005

Far-field amplitude of C381-510085-A-H.nsi



10/7/2005

Far-field amplitude of C381-510085-A-V.nsi



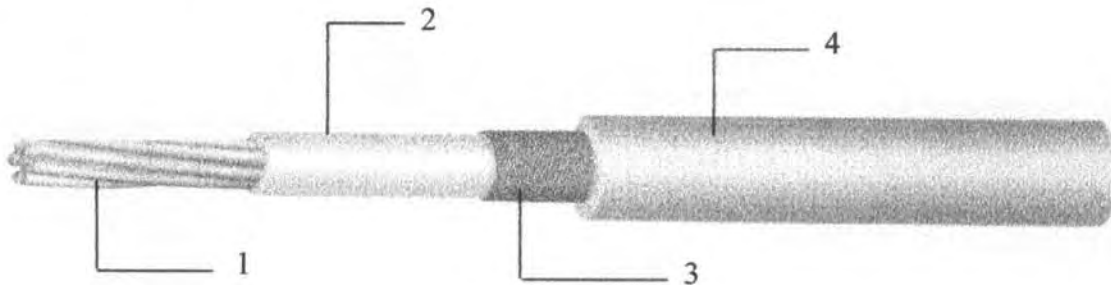
10/7/2005

RG 178 B/U	FEP INSULATED HIGH-FREQUENCY COAXIAL CABLE	PAGE	1 / 2
PRODUCT STANDARD		ISSUED	21. Oct. 2003
		REVISED	

I - Scope

This specification presents a FEP insulated high-frequency coaxial cable AWG 30, 1.8 mm O.D. for internal wiring of electronic equipment, such as Computer / Notebook with wireless communication systems.

II - Construction



Item		Unit	Details
1. Inner Conductor	Material	—	CP-AG
	Composition	No./mm	AWG 30 or 7 × 0.1
	Dia. (approx.)	mm	0.305
2. Dielectric	Material	—	Extruded FEP
	Nom. O.D.	mm	0.84 ± 0.05
	Color	—	Natural
3. Outer Conductor	Material	—	Silver coated copper
	Composition	—	Braided (16 / 3 / 0.1)
	Dia. (approx)	mm	1.29 ± 0.07
4. Jacket	Material	—	Extruded FEP
	Dia.	mm	1.80 ± 0.08
	Color	—	Standard color is Light Orange

Note :		MADE BY	<i>Shen Bin Chao</i>
		APPROVALS	<i>Shen Bin Chao</i>

RG 178 B/U	FEP INSULATED HIGH-FREQUENCY COAXIAL CABLE	PAGE	2 / 2
PRODUCT STANDARD		ISSUED	21. Oct. 2003
		REVISED	

III – Characteristics

Item	Unit	Specified Value	Note
Temperature Rating	°C	-55 ~ +200	
Voltage Lasting	V	1000	
Dielectric strength	—	Dielectric core: No breakdown at AC 3 kv for 0.2 sec.	Spark test
		Jacket: No breakdown at AC 3 kv for 0.2 sec.	Spark test
Characteristic Impedance	Ω	50 ± 2	TDR method
Capacitance	pF / ft	29.4	
Attenuation. (Max.)	dB/100ft	16.0	100.0 MHz
		33.0	400.0 MHz
		52.0	1.0 GHz
		94.0	3.0 GHz
Approx. Weight	g / m	7.68	

Note :



MADE BY

Prebe Lin

APPROVALS

Shen Bin-chao



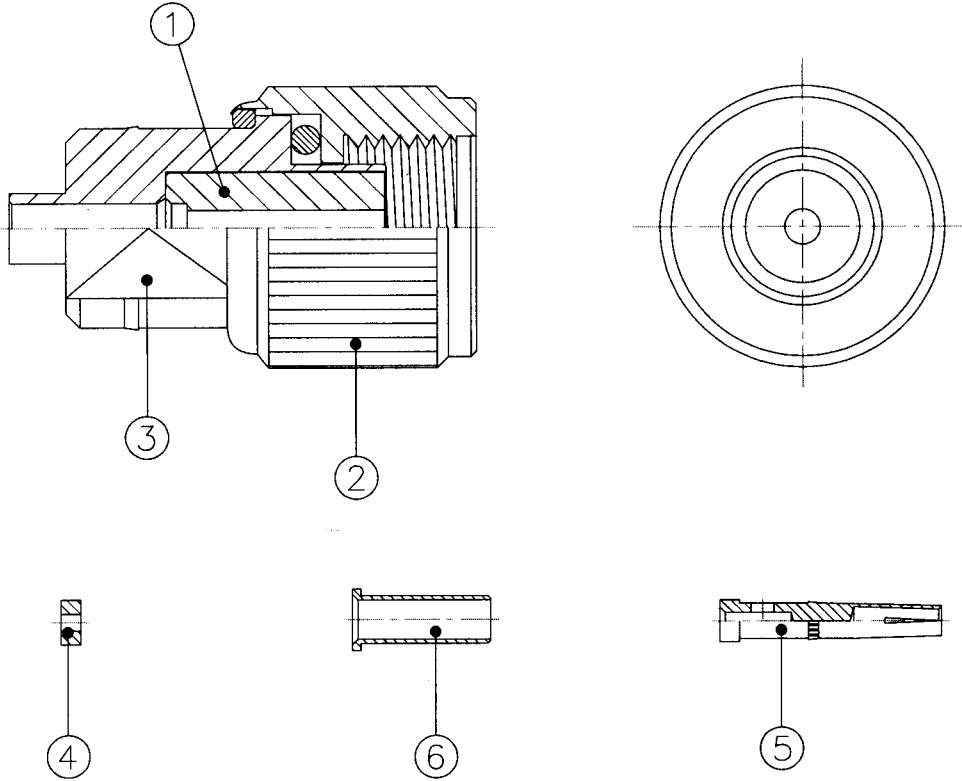
譚裕實業股份有限公司

WHA YU INDUSTRIAL CO., LTD

Connector 材質證明書

譚裕料號 Whayu P/N	100-2001150-AZ	產品名稱 Product Name	SMA Plug Reverse Straight For RG-178
-------------------	----------------	----------------------	--------------------------------------

結構圖面



材質成份

表面處理

		材質成份							表面處理	
1	絕緣體	Teflon	PTFE							N/A
2	外殼	Brass	Cu	Pb	Fe	Fe+Sn	Zn		電著	
3	本體	Brass	Cu	Pb	Fe	Fe+Sn	Zn		鍍鎳	
4	絕緣體	Teflon	PTFE							N/A
5	中心針	Phos. Bronze	Cu	Sn	P	Zn	Pb		鍍金	
6	尾管	Brass	Cu	Pb	Fe	Fe+Sn	Zn		鍍鎳	

Remark :

