



WHA YU INDUSTRIAL CO., LTD.(HEAD OFFICE)
 DONGGUAN AEON TECH CO.,LTD.(CHINA)
 SUZHOU AEON TECH CO.,LTD.(CHINA)
 AEON TECH (SHANGHAI) CO.,LTD(CHINA)
 DONGGUAN PARNER TECH CO.,LTD.(CHINA)



SPECIFICATION FOR APPROVAL

CUSTOMER: 永洋科技股份有限公司



PART NAME: RF Antenna Assembly

PART NO.:

REVISION:

W. Y. P/NO.: C381-510150-A(SSR-91019)

REV.: XI

	MANUFACTURER SIGNATURE	CUSTOMER SIGNATURE
APPROVED BY :	Romeo 	
DATE :	4/21/09	

WHA YU GROUP

WHA YU INDUSTRIAL CO., LTD.(HEAD OFFICE)

譚裕實業股份有限公司

Address: No. 326, Sec. 2, Kung Tao 5 Road, Hsin Chu City, Taiwan, R.O.C.

Tel:+886-3-5714225(REP.) Fax:+ 886-3-5713853 · + 886-3-5723600

DONGGUAN AEON TECH CO.,LTD.(CHINA)

東莞台霖電子通訊有限公司

Address:Hupan Industrial District,Tai Ling Shan Town,Dong Guan City,Guangdong,China

Tel:+86-769-85655858 Fax:+86-769-85655258

SUZHOU AEON TECH CO.,LTD(CHINA)

蘇州華廣電通有限公司

Address:Limin North Road, LiLi Town,LiLi Industrial Park,LinHu Economic Zone

Wujiang City,Jiangsu Province,China

Tel:+86-512-63627980 Fax:+86-512-63627981

AEON TECH (SHANGHAI) CO.,LTD(CHINA)

普翔電子貿易(上海)有限公司

Address:Flat 501,5F,Build 27, NO.68,Guiqing Road, Huhui District, Shanghai,China

Tel:+86-21-64959151 Fax:+86-21-64959059

DONGGUAN PARNER TECH CO.,LTD.(CHINA)

東莞倍能電子有限公司

Address:Hupan Industrial District, Shida Road, Tai Ling Shan Town,

Dong Guan City, Guangdong, China

Tel:+86-769-81662366 Fax:+86-769-81602681

RF Antenna Assembly

Specification

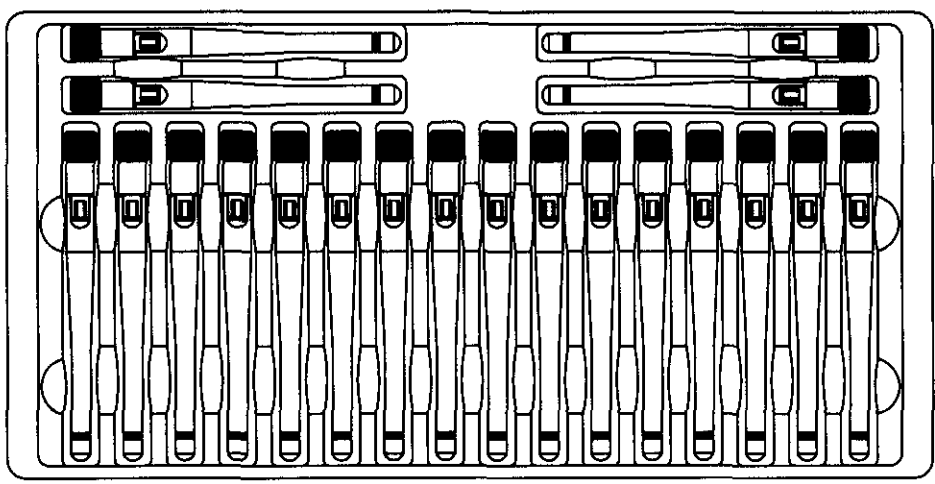
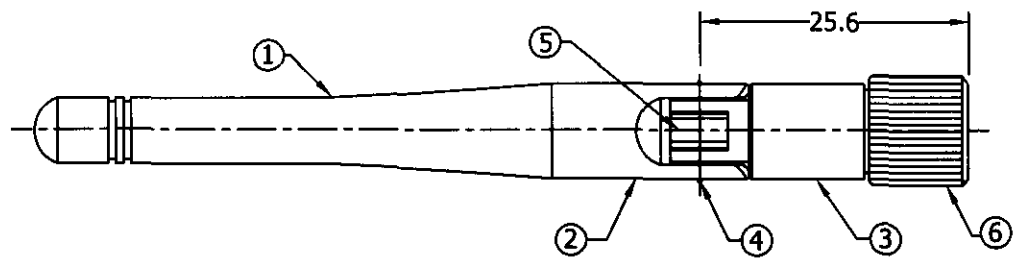
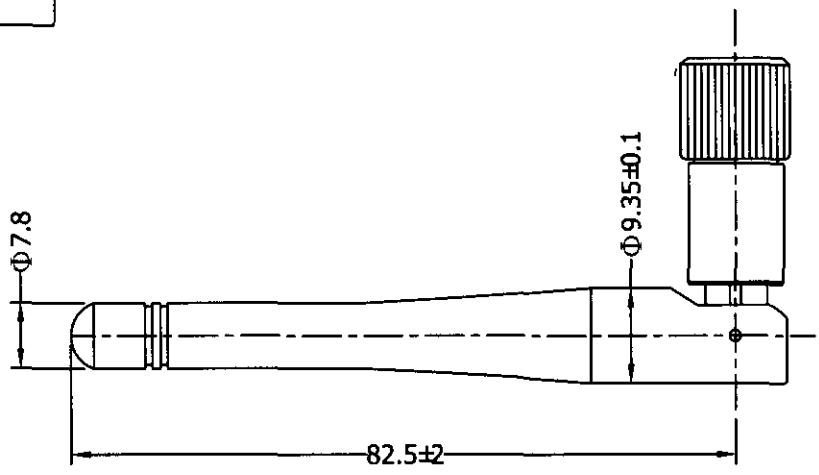
1. Electrical Properties :

- 1.1 Frequency Range..... 2.4GHz ~ 2.5GHz
- 1.2 Impedance 50Ω Nominal
- 1.3 VSWR 1.92 :1Max.
- 1.4 Return Loss..... -10 dB Max.
- 1.5 Radiation Omni-directional
- 1.6 Gain(peak)..... 2dBi
- 1.7 Polarization..... Linear; Vertical
- 1.8 Admitted Power..... 1W
- 1.9 Cable..... RG-178 Cable
- 1.10 Connector..... SMA Straight Plug Reverse

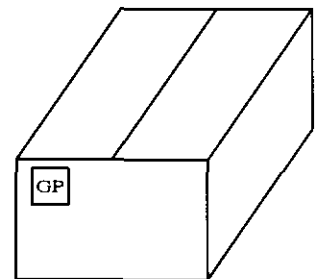
2. Physical Properties :

- 2.1 Antenna Body..... TPE
- 2.2 Antenna Base..... PC
- 2.3 Antenna Base..... PBT
- 2.4 Operating Temp. -10 ~ +60
- 2.5 Storage Temp. -10 ~ +70
- 2.6 Color White

REV	DATE	DESCRIPTION
X1	04/11-2009	New Issue



Packing: 每Tray盤裝20PCS成品



GP標籤貼於外箱兩邊側麥左上角

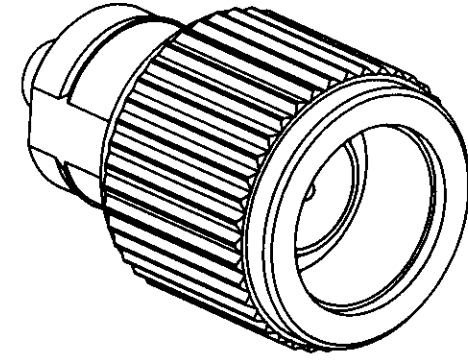
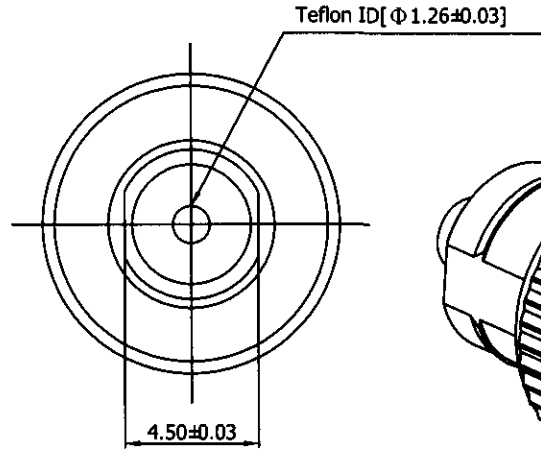
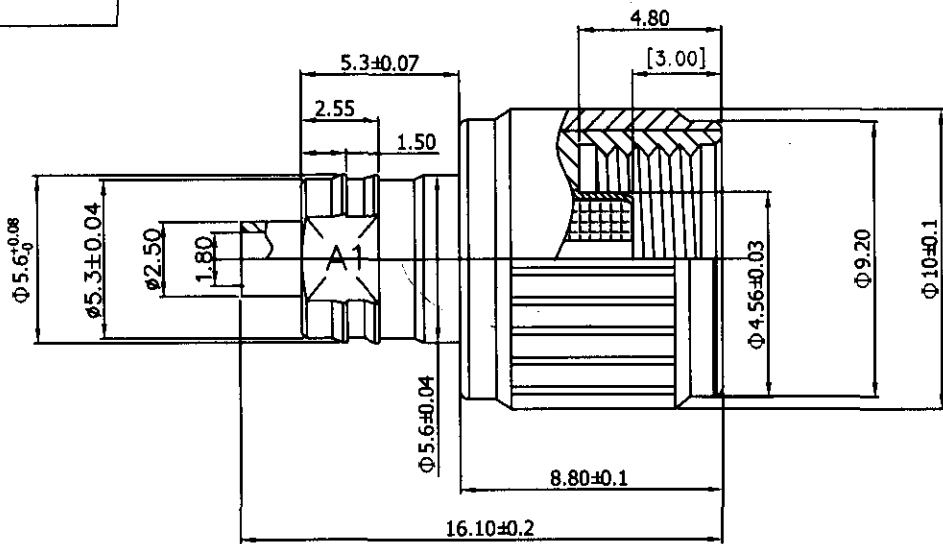
6	Connector	SMA Straight Plug Reverse	1	
5	Cable	RG-178Cable, Transparency Brown, 50 Ω	1	
4	Rivet	POM, Color: White	2	
3	Antenna Base	PBT; Color: White, Du Pont LS033(W.Y-024)	1	
2	Antenna Base	PC; Color: White, Du Pont LS033(W.Y-024)	1	
1	Antenna Body	TPE; Color: White, Du Pont LS033(W.Y-024)	1	
NO	DESCRIPTION		QTY	REMARK

CUSTOMER'S SINGATURE	XX.	±5.0	APPROVED	CUSTOMER: 永洋
	X.	±3.0	法文彬	
	.X	±1.0	CHECKED	
	.XX	±0.5		
	.XXX	±0.1	DRAWING	
			法文彬	PART NO :
				PART NAME: RF Antenna Assembly
				W.Y P/NO : C381-510150-A
				REV UNIT FILE : SSR-91019
				X1 mm SHEET : 1/1

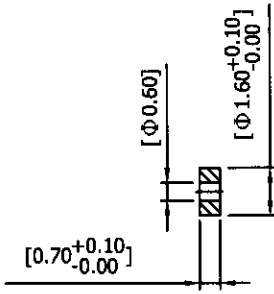
M.gear Wha Yu Group

THIS DRAWING, AND IT'S INHERANT DESIGN CONCEPTS, ARE THE PROPERTY OF WHA YU AND AS SUCH MAY NOT BE COPIED, REPRODUCED, OR GIVEN TO THIRD PARTIES WITHOUT THE WRITTEN CONSENT OF WHA YU.

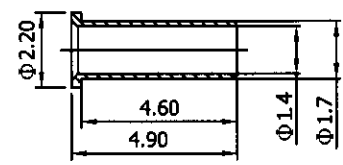
REV	DATE	DESCRIPTION
X1	04/15-2009	New Issue



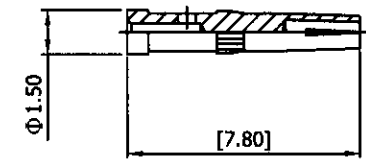
1. Assembly Body



2. Dielectric



3. Ferrule



4. Pin

NO	DESCRIPTION	QTY	REMARK
4	Pin	Brass	1 Gold Plated 5 μ"
3	Ferrule	Brass	1 Nickel Plated 80 μ"
2	Dielectric	Teflon	1 N/A
1	Assembly Body	Brass	1 白色POM塑膠外殼 本體鍍鎳白銀

CUSTOMER'S SIGNATURE	XX. ±5.0	APPROVED	CUSTOMER:		
	X. ±3.0	CHECKED	PART NO :		
	.X ±1.0		PART NAME: SMA Plug Reverse Straight For RG-178		
	.XX ±0.5		W.Y P/NO : 100-2001266-AZ		
	.XXX ±0.1	DRAWING	REV	UNIT	FILE :
			X1	mm	SHEET : 1/1

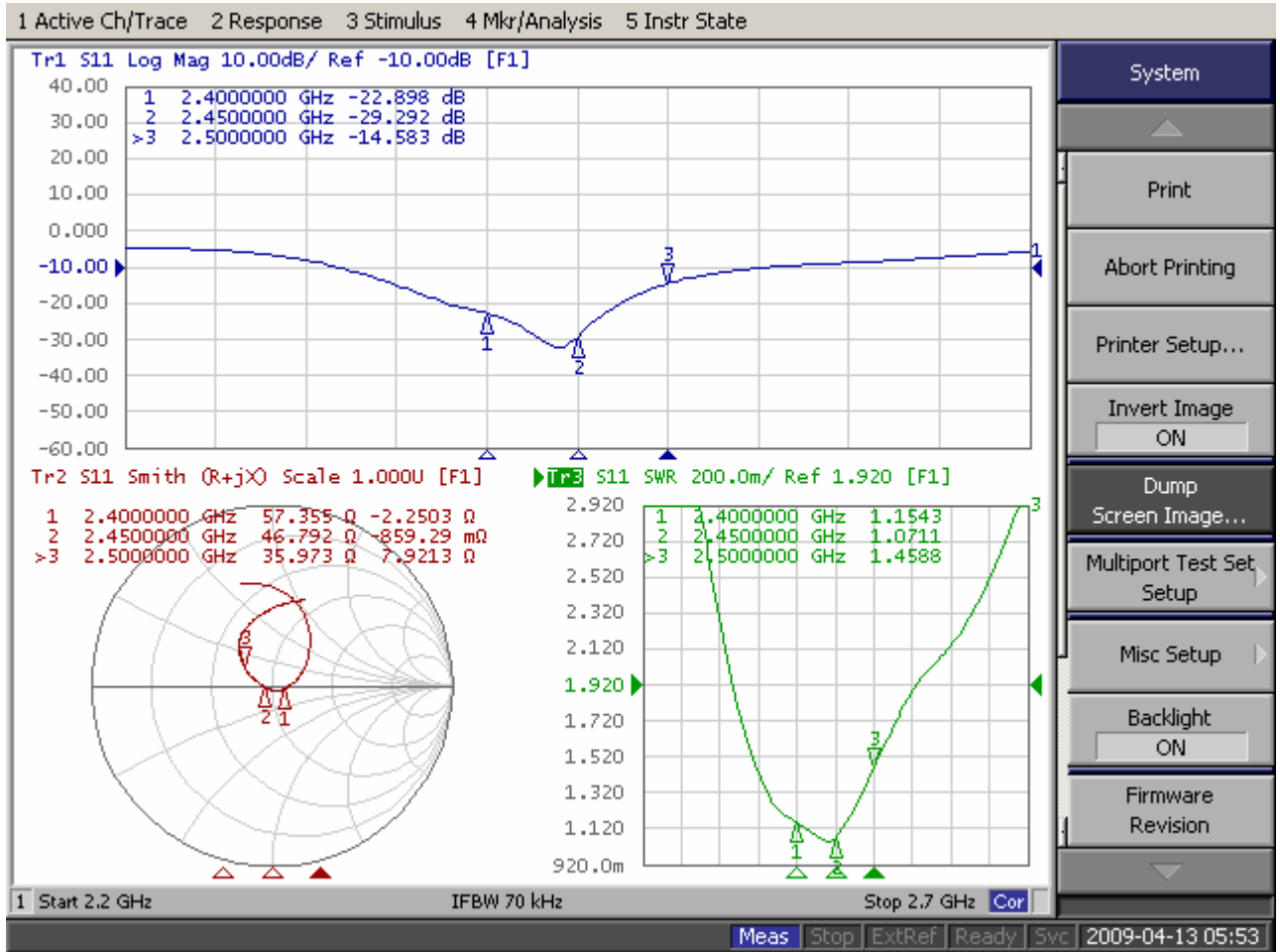
M.gear Wha Yu Group

THIS DRAWING, AND ITS INHERANT DESIGN CONCEPTS, ARE THE PROPERTY OF WHA YU AND AS SUCH MAY NOT BE COPIED, REPRODUCED, OR GIVEN TO THIRD PARTIES WITHOUT THE WRITTEN CONSENT OF WHA YU.

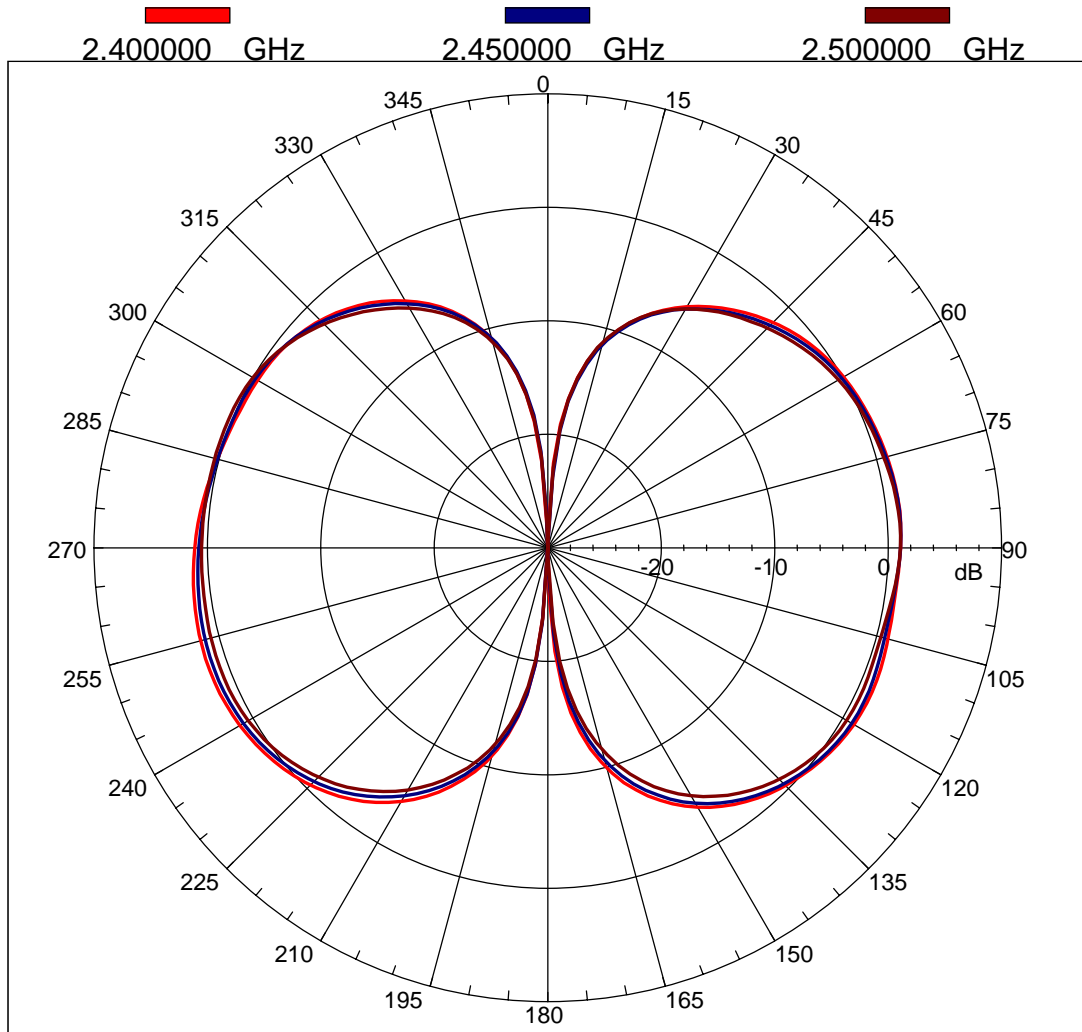
PRODUCTION DRAWING

RF Antenna Assembly

P/No.C381-510150-A SSR-91019 Spec:2.4~2.5GHz



Far-field amplitude of C381-510150-A SSR-91019 E H-PLANE.nsi



Far-field amplitude of C381-510150-A SSR-91019 V H-PLANE.nsi

