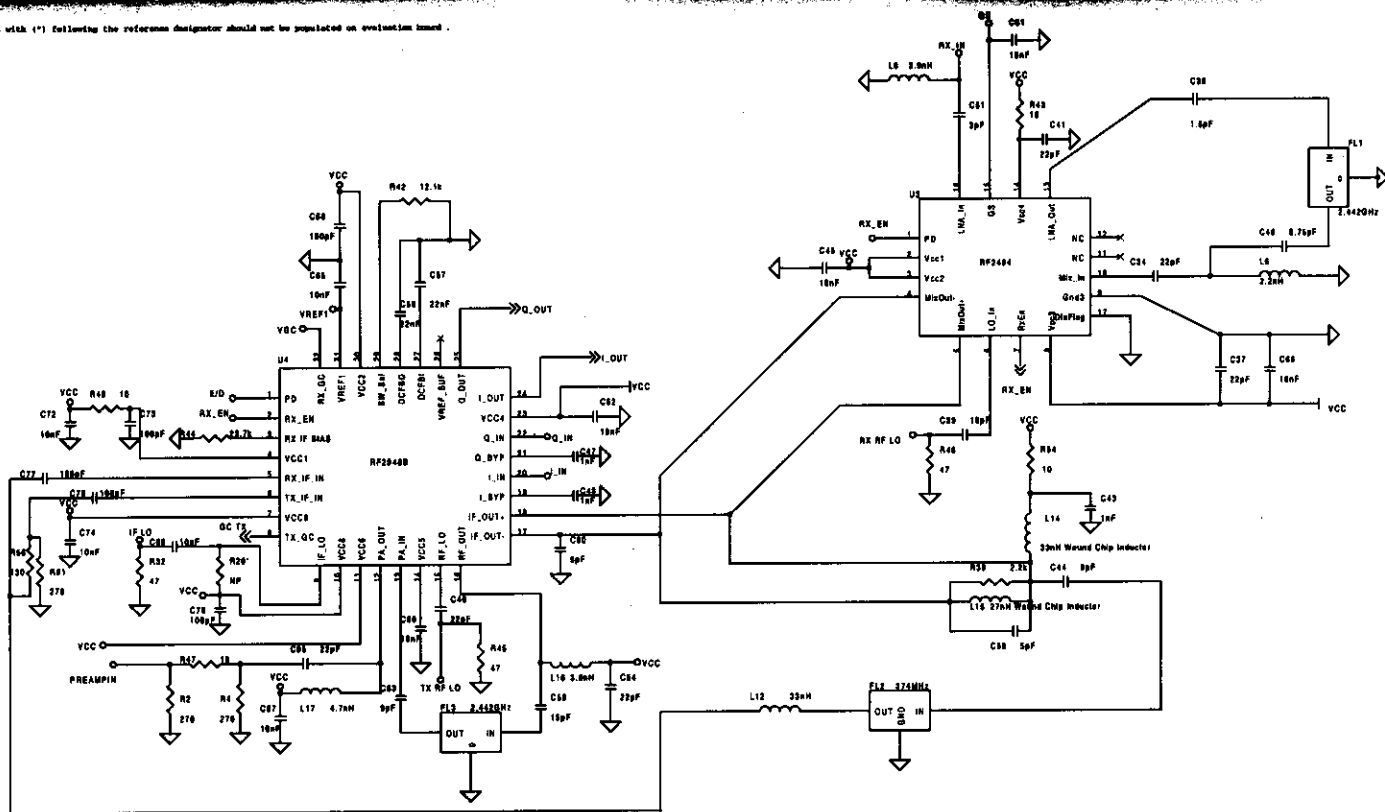
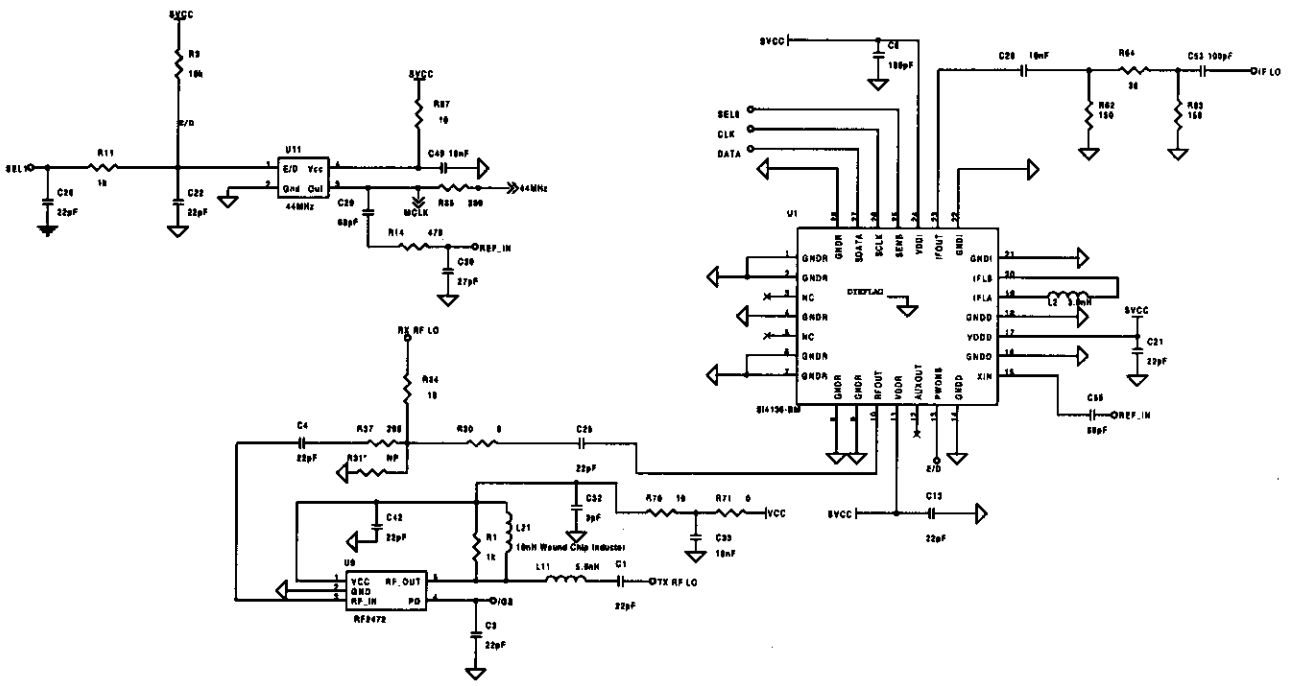


Note: Components with (\*) following the reference designator should not be populated on evaluation board.

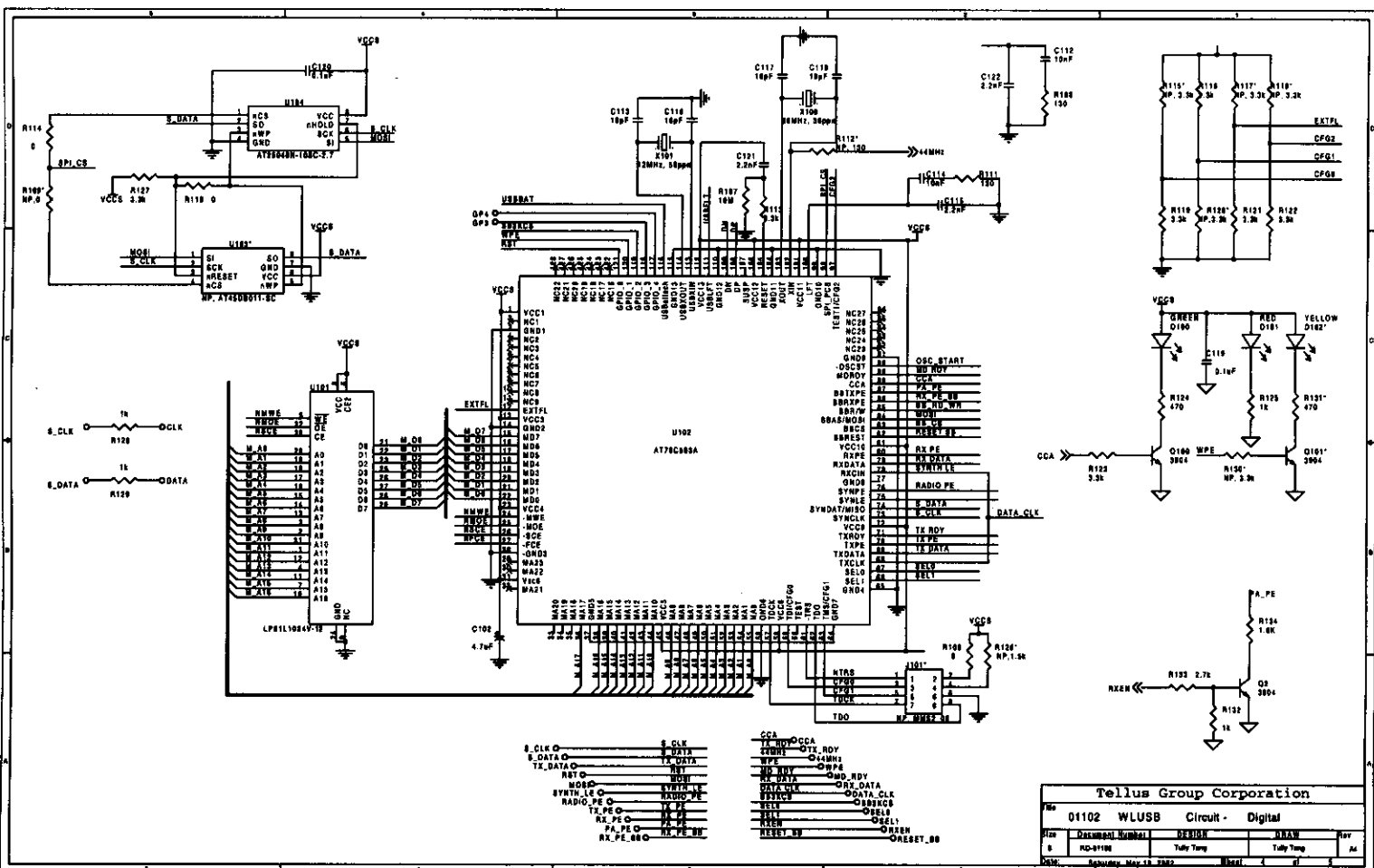
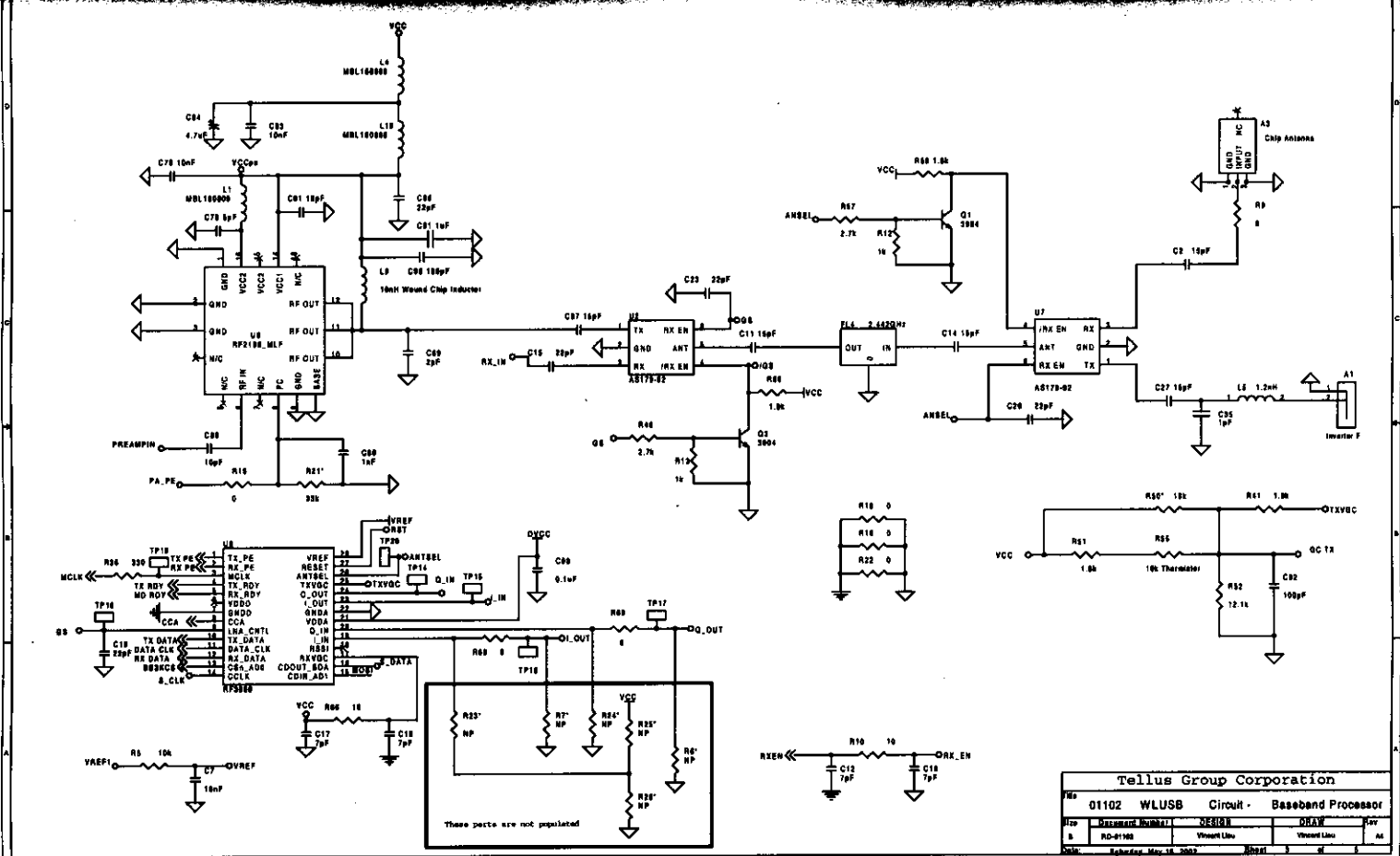


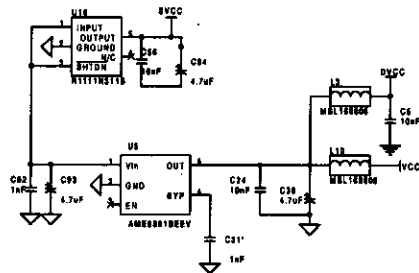
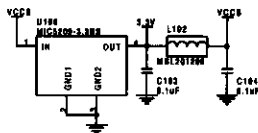
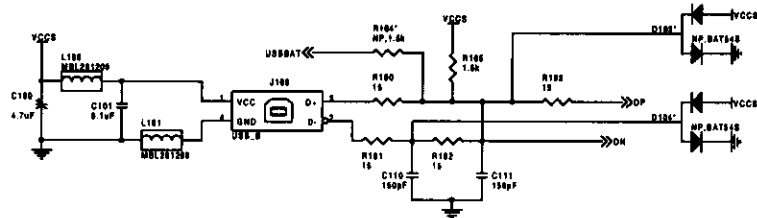
Tellus Group Corporation			
Doc	01102 WLUSB	Circuit - LNA & Transceiver	Rev
Doc	01102 WLUSB	DESIGN	REV
S	RD-01102	Version Line	Version Line
Rev	Rev	Rev	Rev

Note: Components with (\*) following the reference designator should not be populated on evaluation board.



Tellus Group Corporation			
Doc	01102 WLUSB	Circuit - VCO & PLL	Rev
Doc	01102 WLUSB	DESIGN	REV
S	RD-01102	Version Line	Version Line
Rev	Rev	Rev	Rev





Tellus Group Corporation			
Rev	01102 WLUS6	Circuit - Power	
Rev	Revision Number:	DESIGN	DRAW
2	RD-01102	Tully Tomp	Tully Tomp
DATE	September, May 13, 2002	REVISED	