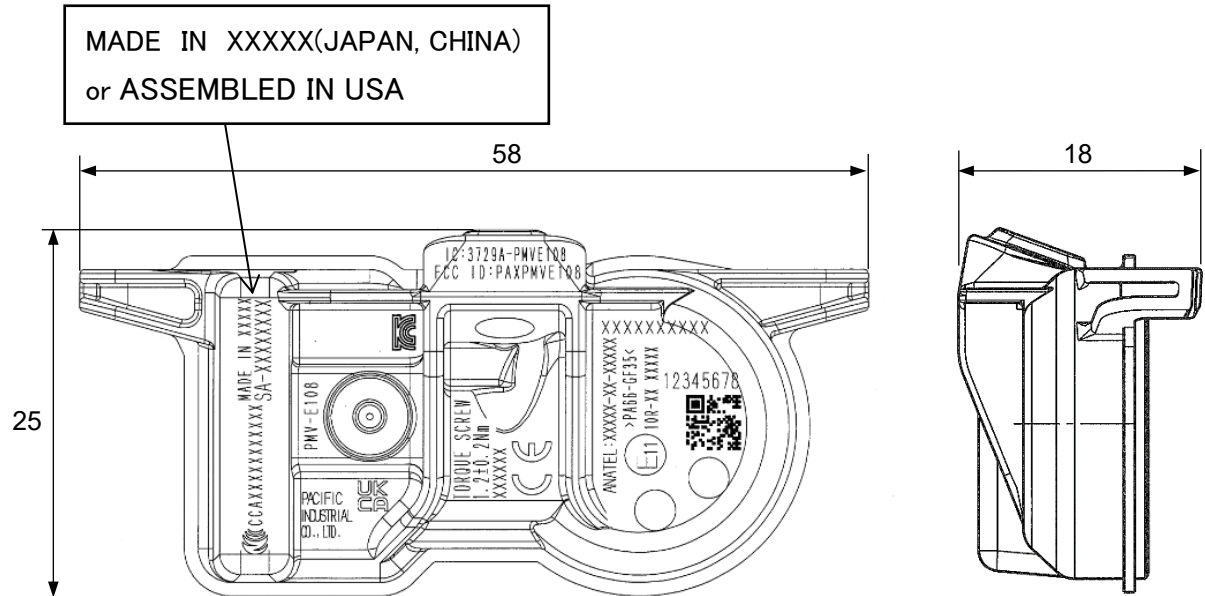


12. Marking location and layout

Marking Location



NOTE

- Compliance statement of marking will not be changed.
- Marking layout and size may be changed.
- Mark with a laser.

Fig. 14