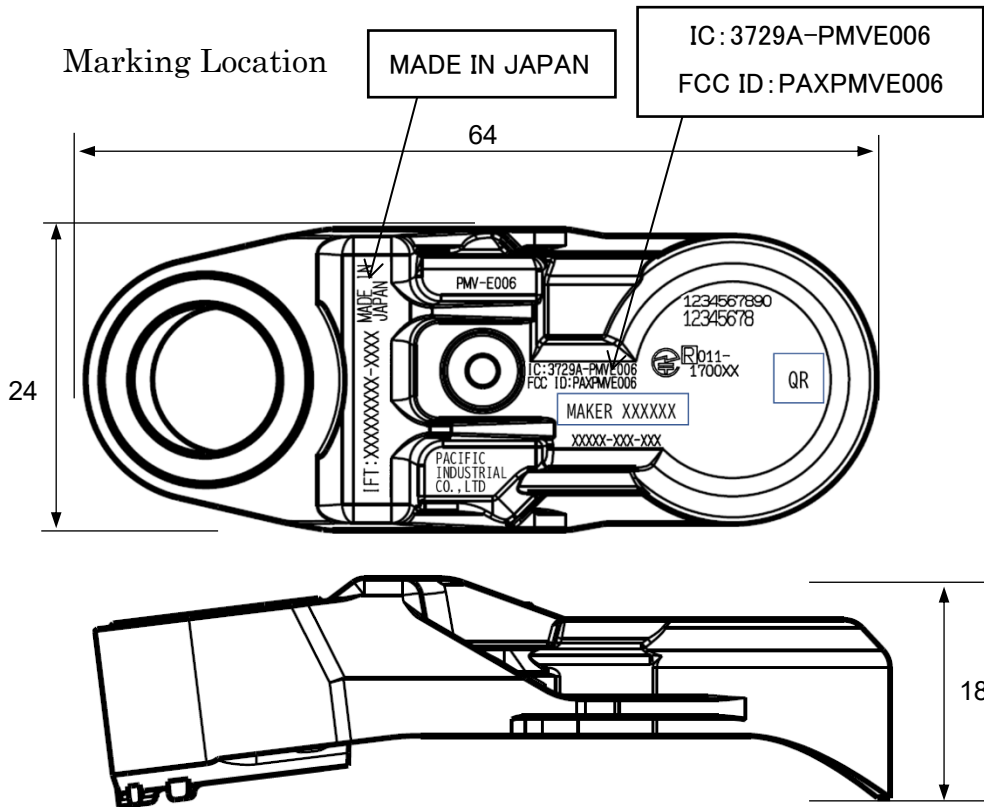


12. Marking location and layout



NOTE

- Compliance statement of marking will not be changed.
- Marking layout and size may be changed.
- Mark with a laser.

Fig. 12