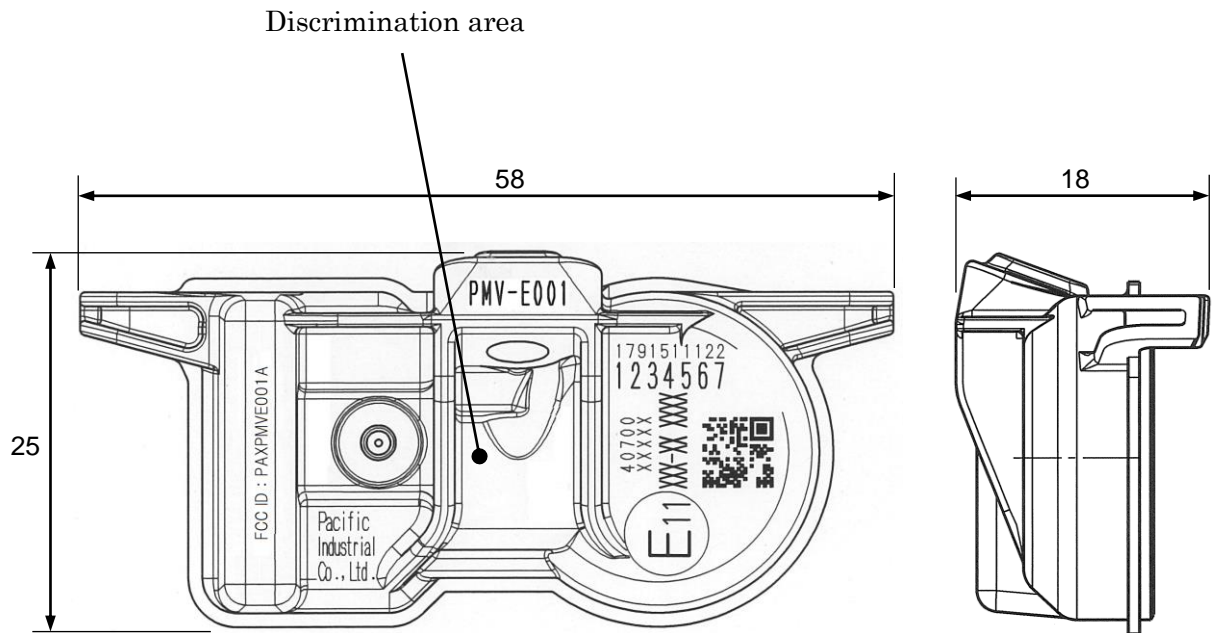


12. Marking location and layout



Notes: Marking layout and/or size may be changed.

Sheet 8

CONFIDENTIAL & PIC PROPRIETARY