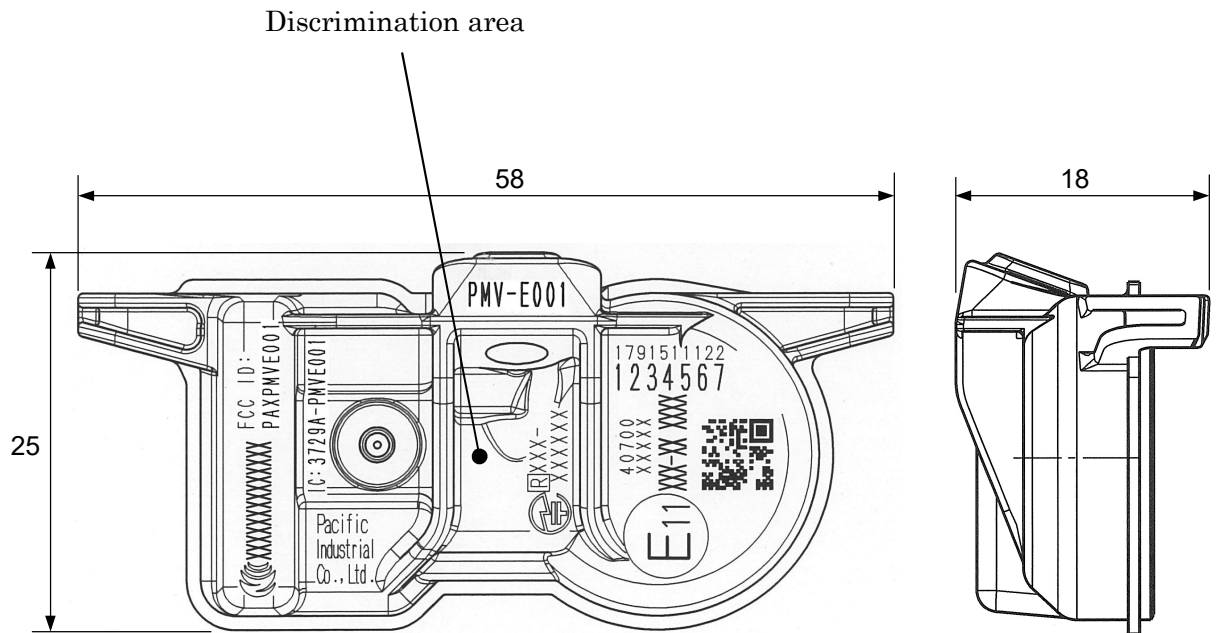


12. Marking location and layout



Sheet 8

CONFIDENTIAL & PIC PROPRIETARY