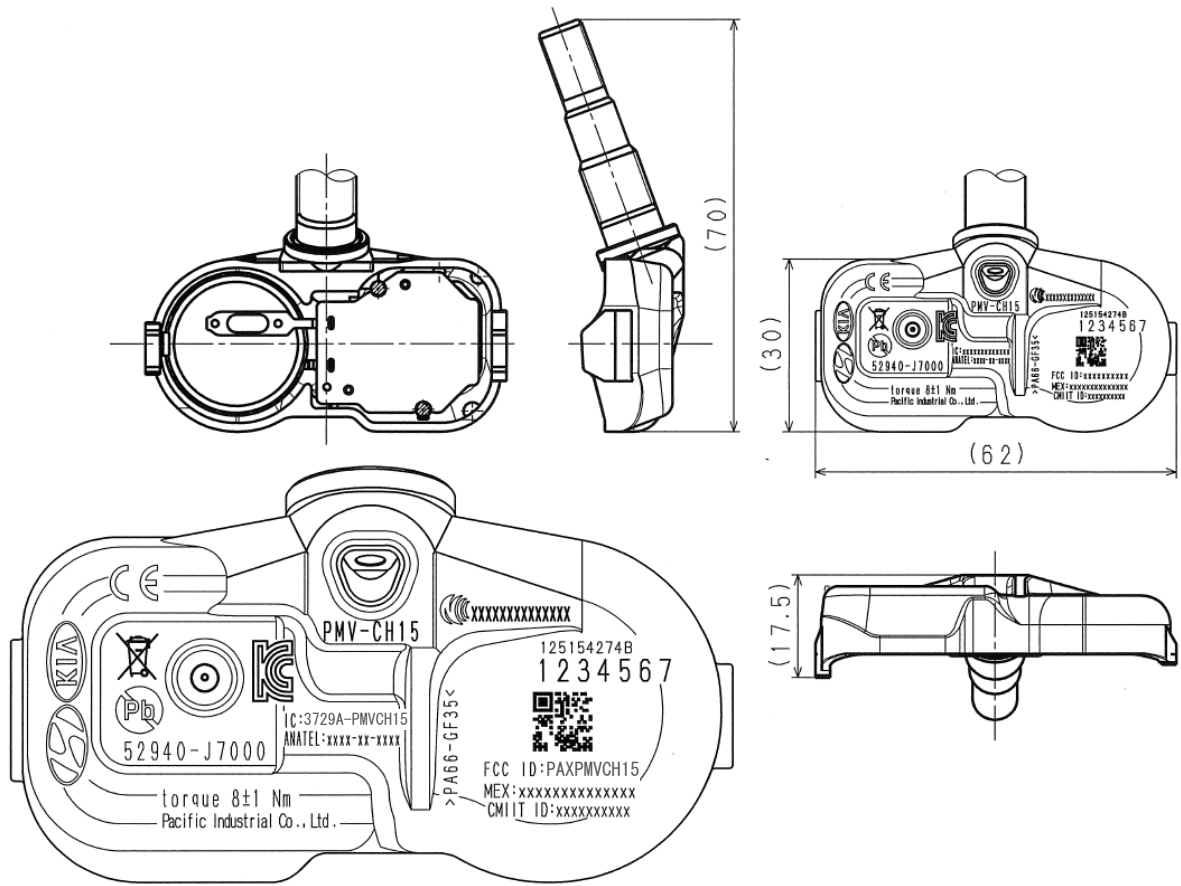


5. Marking location and layout



Note:

- Compliance statement of marking will not be changed.
- Marking layout and size may be changed.