

5. Marking location and layout

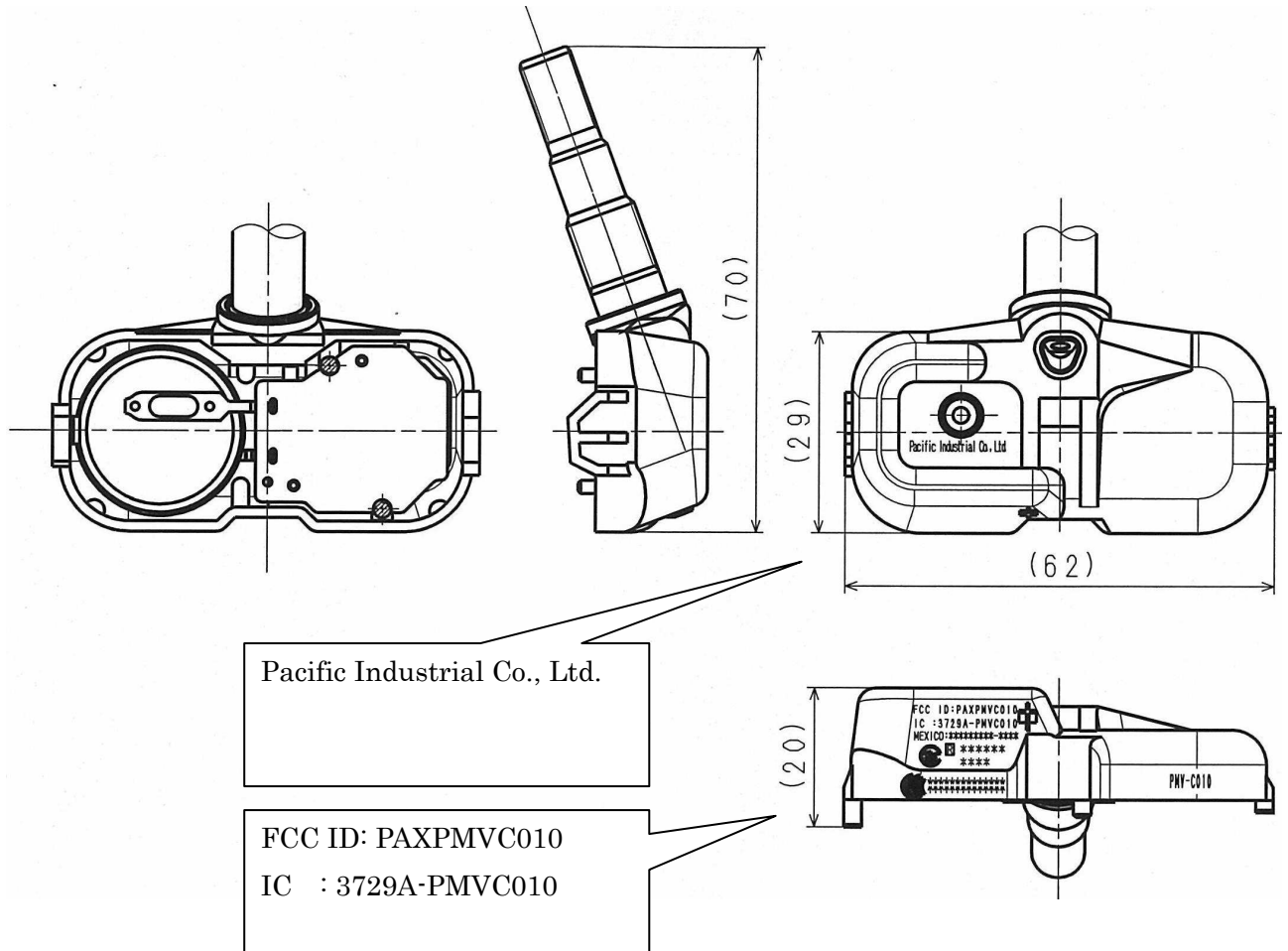


Fig 5. Marking location and dimension

**CONFIDENTIAL & PIC PROPRIETARY**