

5. Marking location and layout

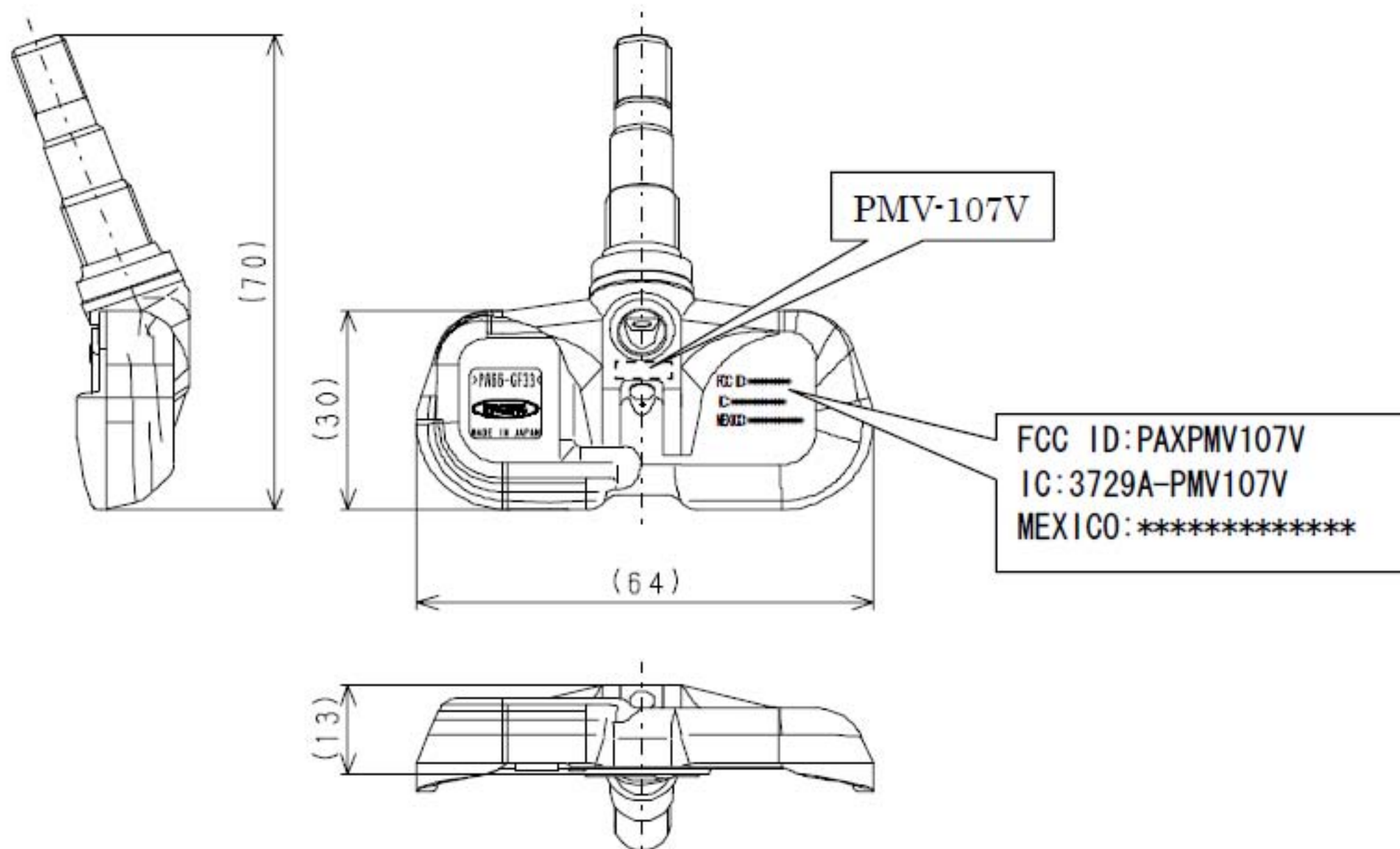
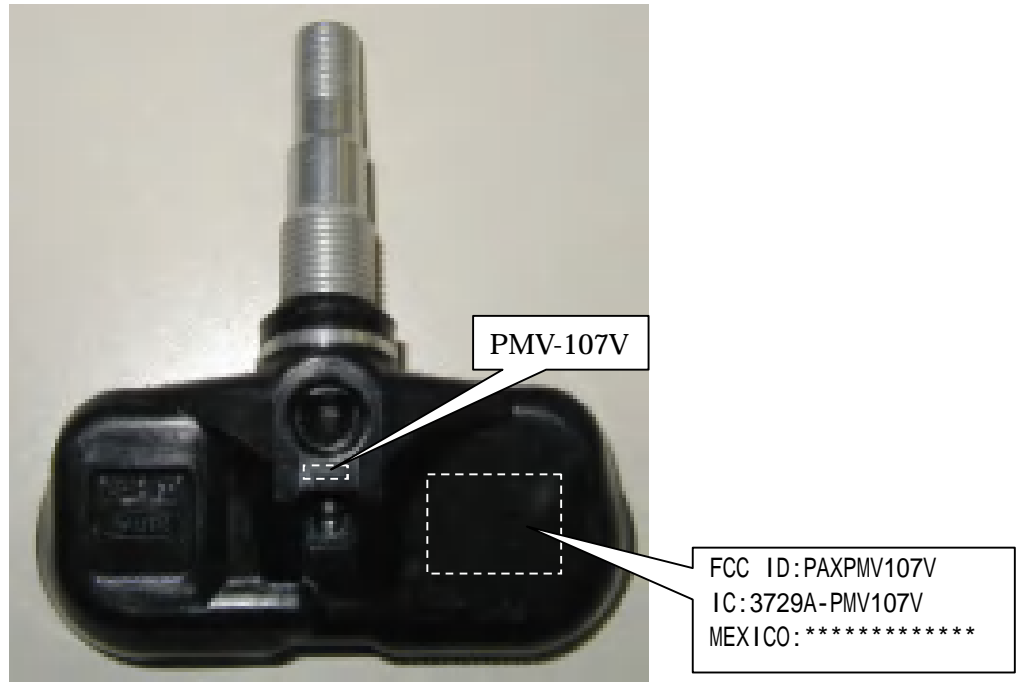


Fig 5. Marking location and dimension

Top view of Transmitter



Bottom view of Transmitter

