

## 5. Marking location and layout

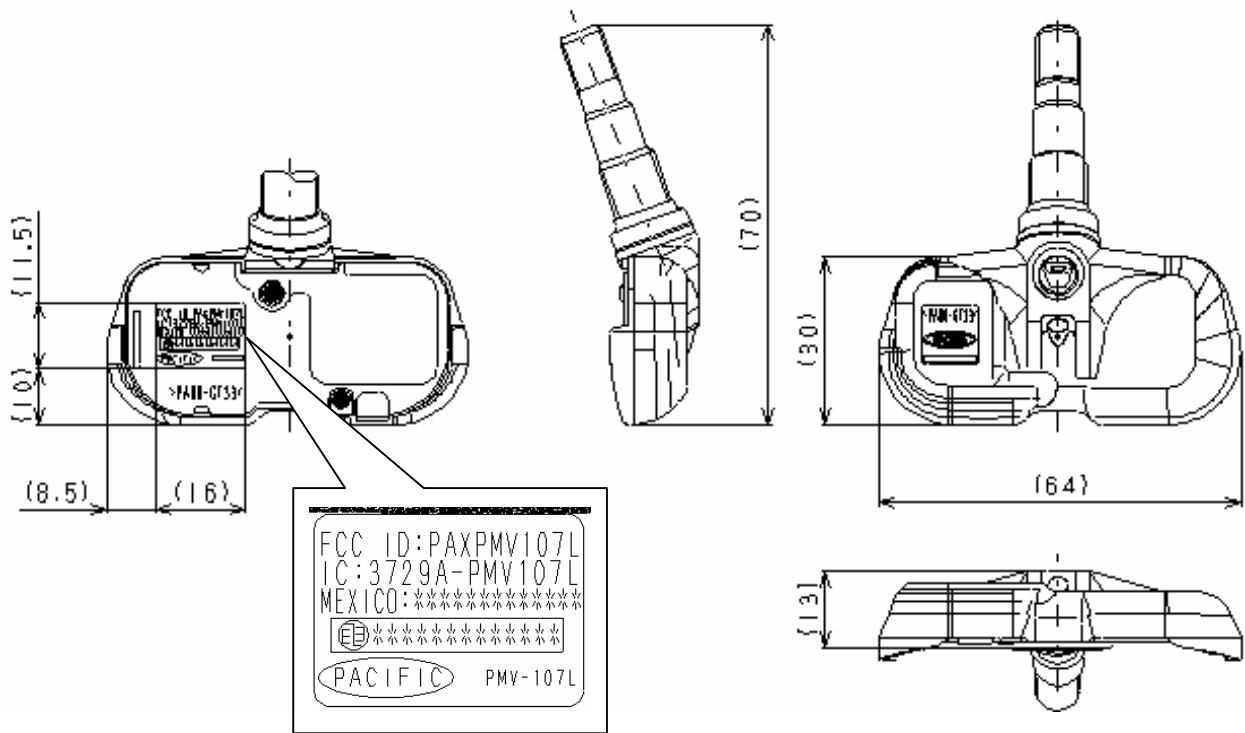


Fig 5. Marking location and dimension

Notes: Compliance statement of marking will not be changed.  
But marking layout and size may be changed.