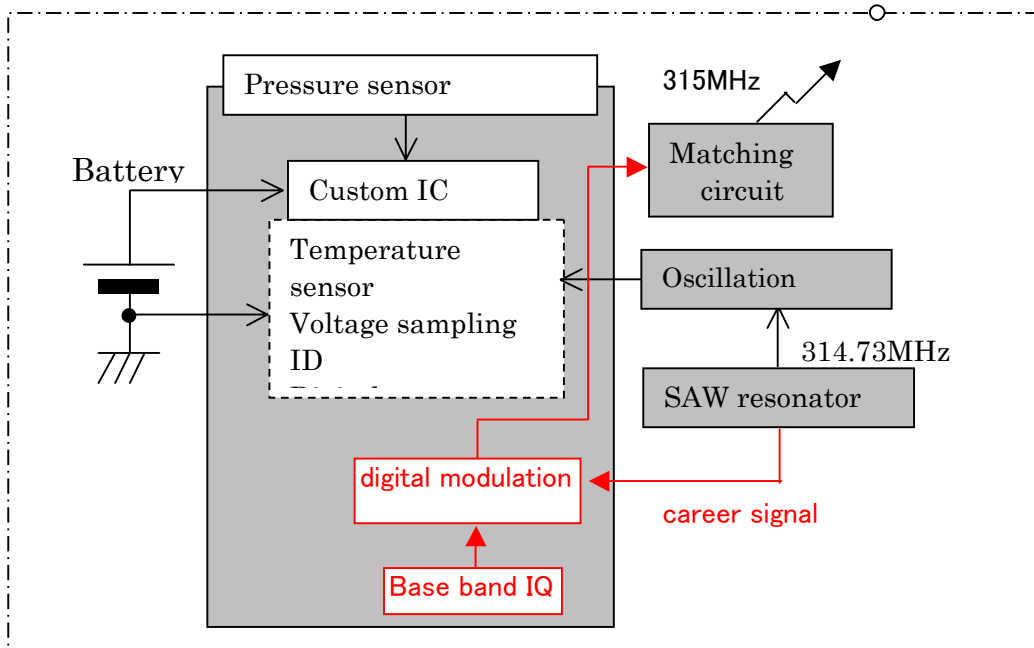


PMV-107J Block diagram



- It makes a carrier(315MHz) by digital modulation in Custom IC.