

FCC ID: PAXPMV107G
IC: 3729A-PMV107G
MEXICO: ****
PACIFIC PMV-107G



>PA66-GF33<

5. Marking location and layout

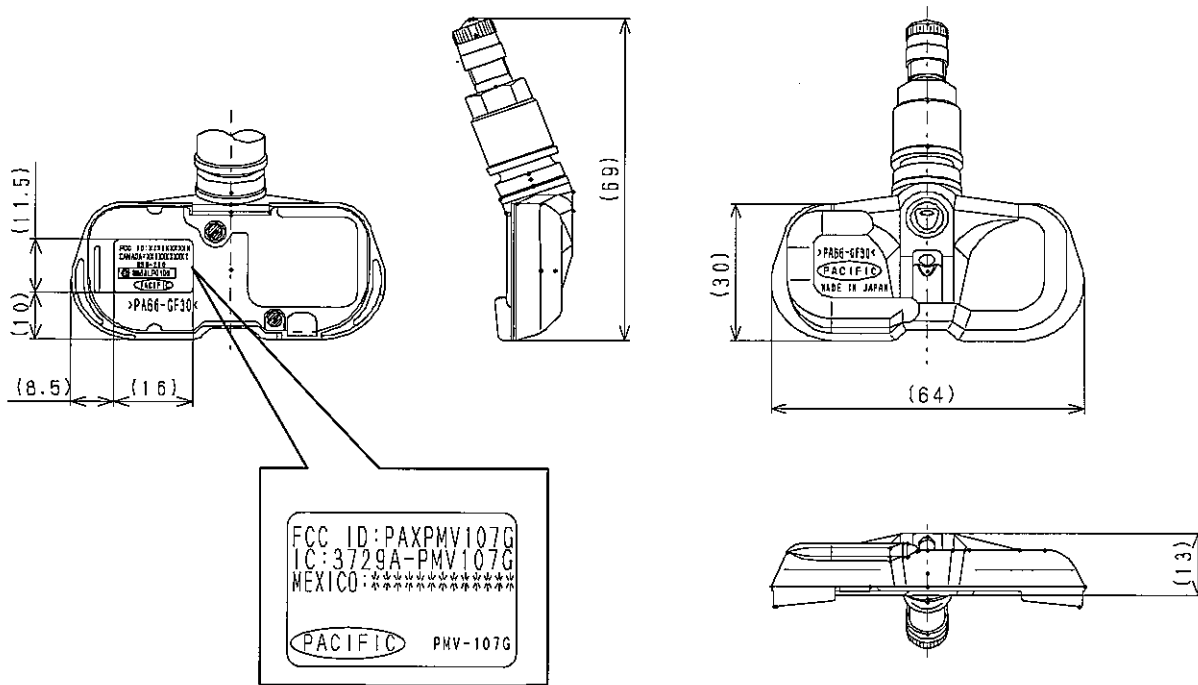


Fig 5. Marking location and dimension

Notes: Compliance statement of marking will not be changed.
But marking layout and size may be changed.