

5. Marking location and layout

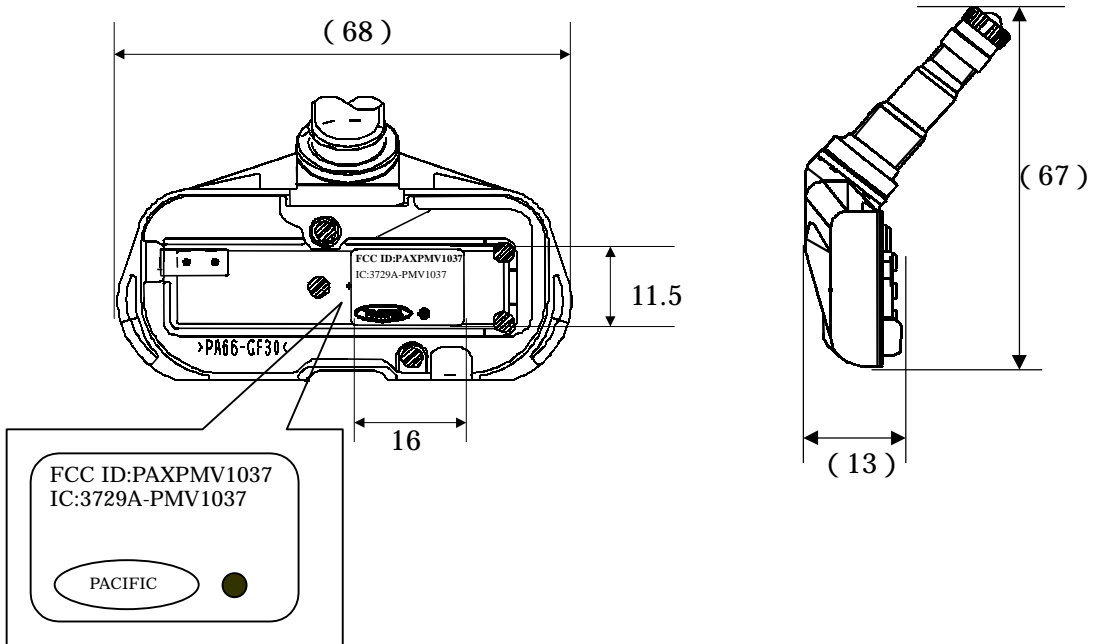


Fig 5. Marking location and dimension

Notes: Compliance statement of marking will not be changed.
But marking layout and size may be changed.



FCC ID:PAXPMV1037
IC:3729A-PMV1037

PACIFIC



Front view of Transmitter



Rear view of Transmitter



Right side view of Transmitter



Left side view of Transmitter

