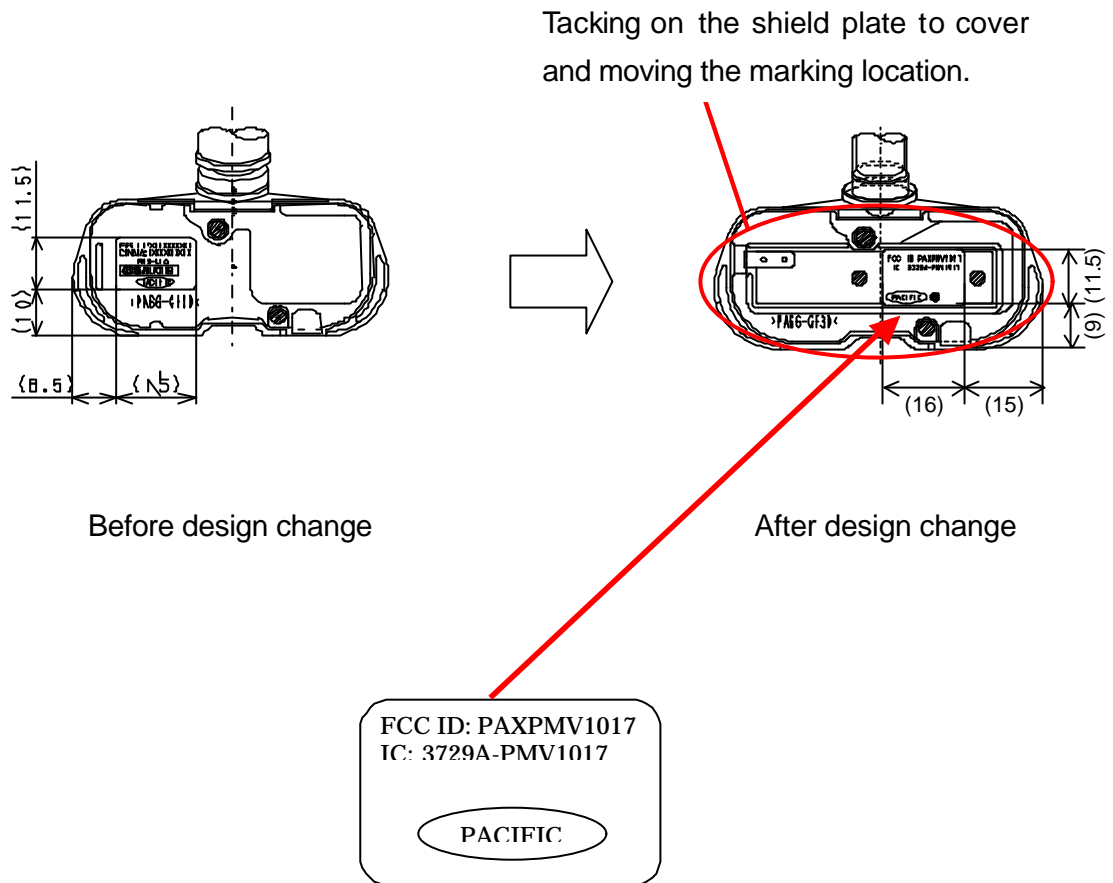


Labeling location and layout



Notes: Compliance statement of marking will not be changed.
But marking layout and size may be changed.