

Marking location and layout

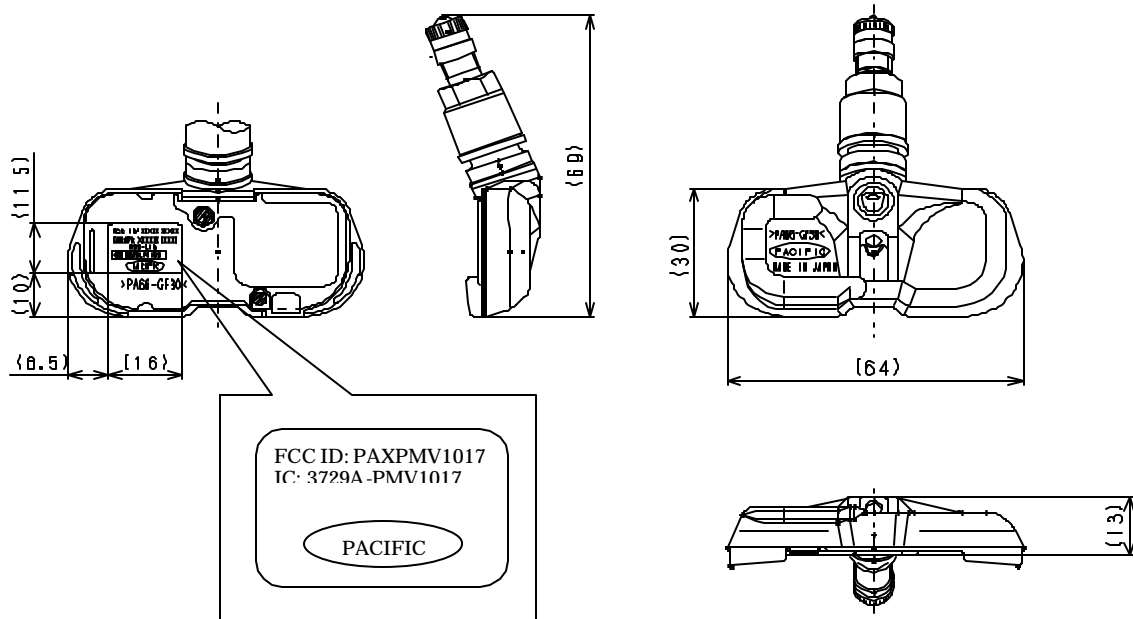


Fig 5. Marking location and dimension

Notes: Compliance statement of marking will not be changed. But marking layout and size may be changed.