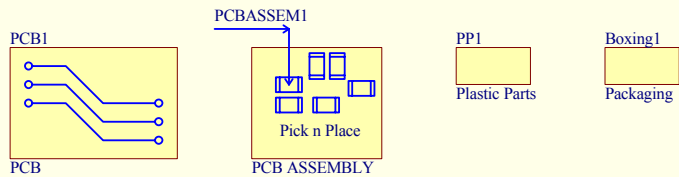
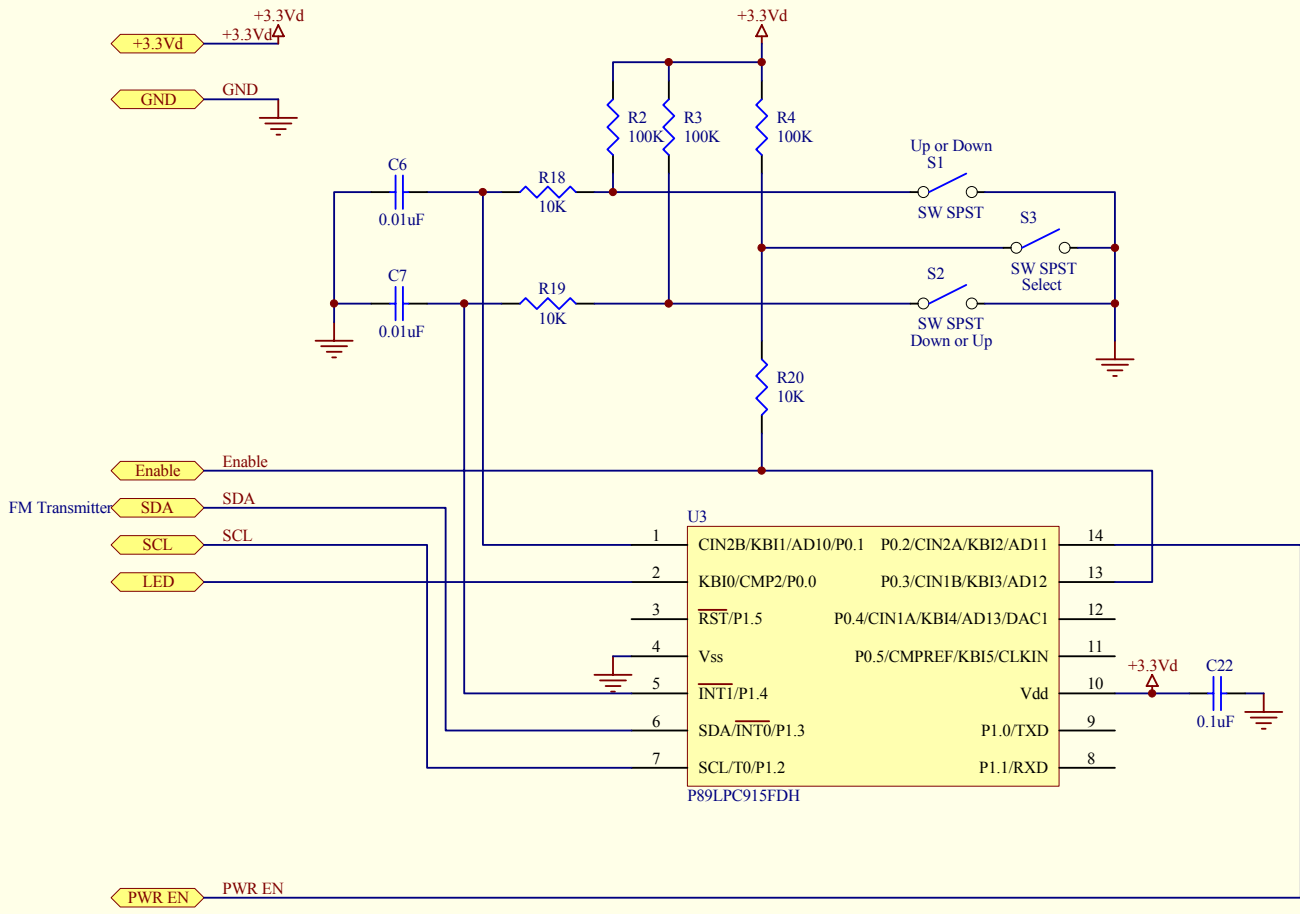


Note: "NC" components have been added in the even the main parts are not available.

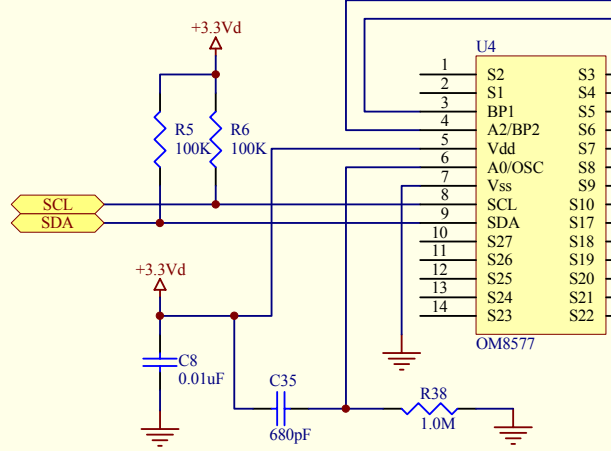
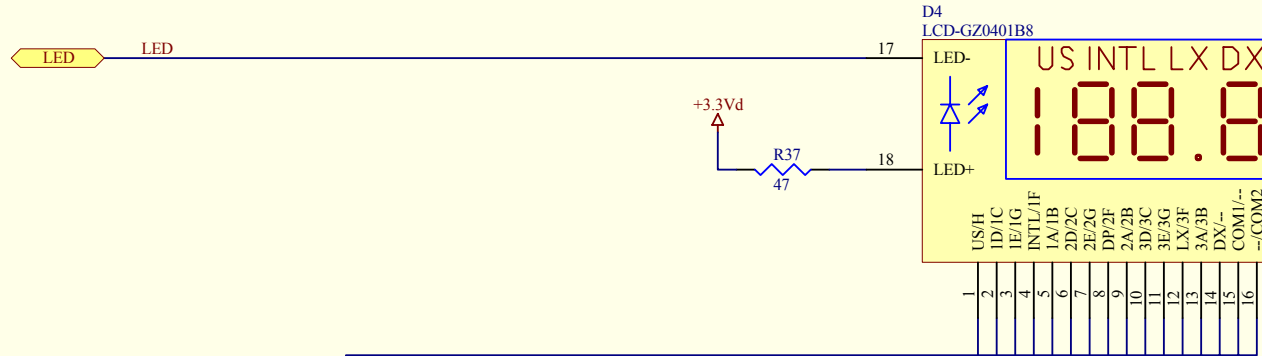
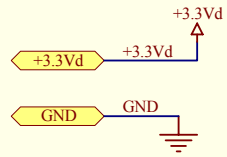


Title		
R. Riffert Confidential		
Project Number: P616 - LCDiTrip Design		
Size	Number	Revision
A	P616	3D
Date:	2-Dec-2005	Sheet of 1 of 7
File:	C:\Design Files2\P616-LCDiTrip\P616-LCDiTrip.r3d.ddb	



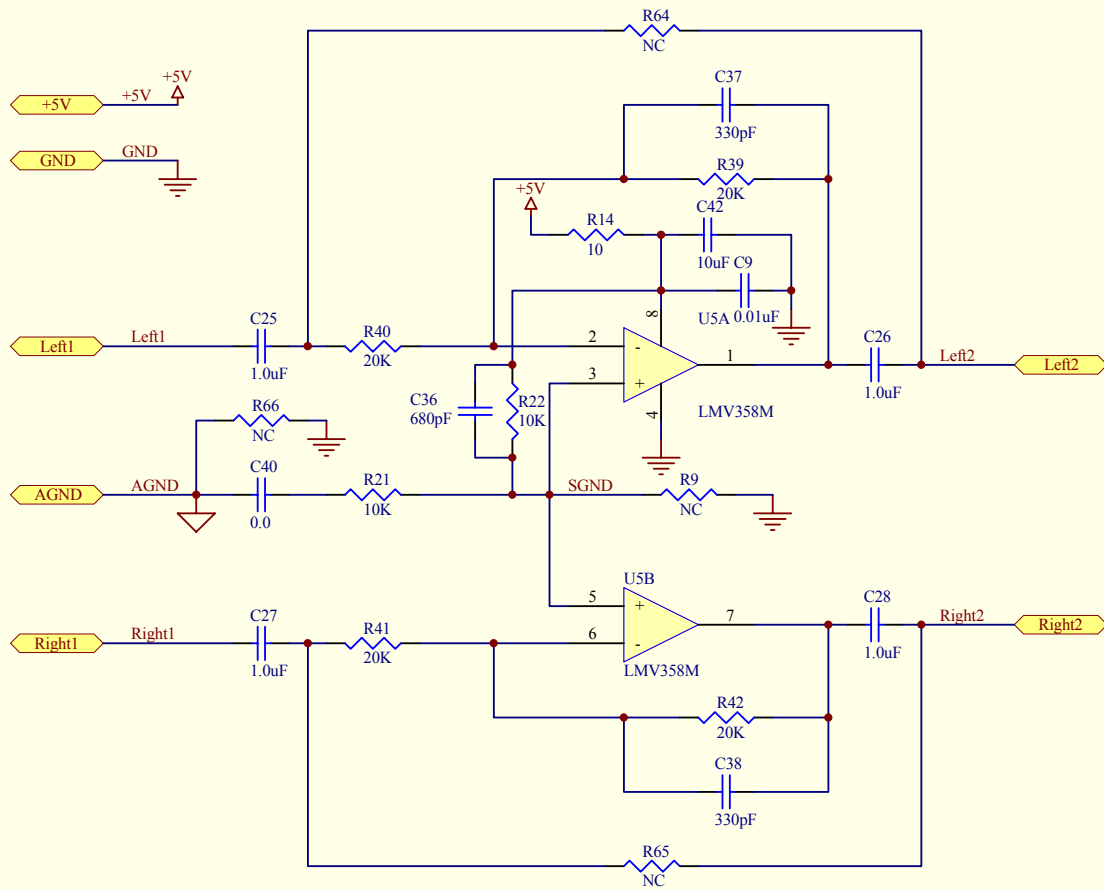
R. Riffert Confidential

Title		
Project Number: P616 - LCDiTrip Micro and Switches		
Size	Number	Revision
A	P616	3D
Date:	2-Dec-2005	Sheet of 3 of 7
File:	C:\Design Files2\P616-LCDiTrip\P616-LCDiTrip\P616-LCDiTrip.r3d.ddb	



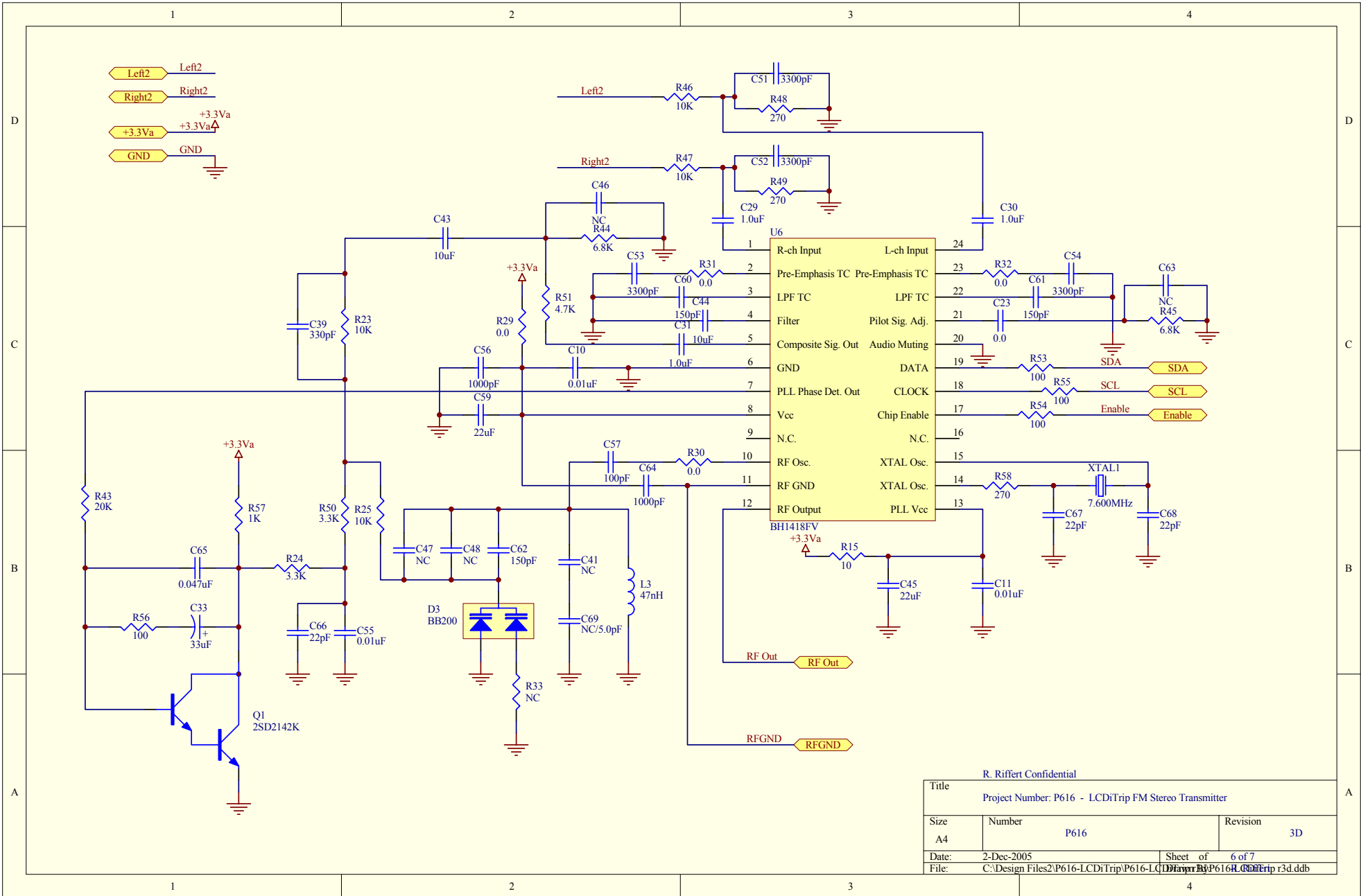
R. Riffert Confidential

Title		
Project Number: P616 - LCDiTrip LCD and Driver		
Size	Number	Revision
A	P616	3D
Date:	2-Dec-2005	Sheet of 4 of 7
File:	C:\Design Files2\P616-LCDiTrip\P616-LCDiTrip.r3d.ddb	



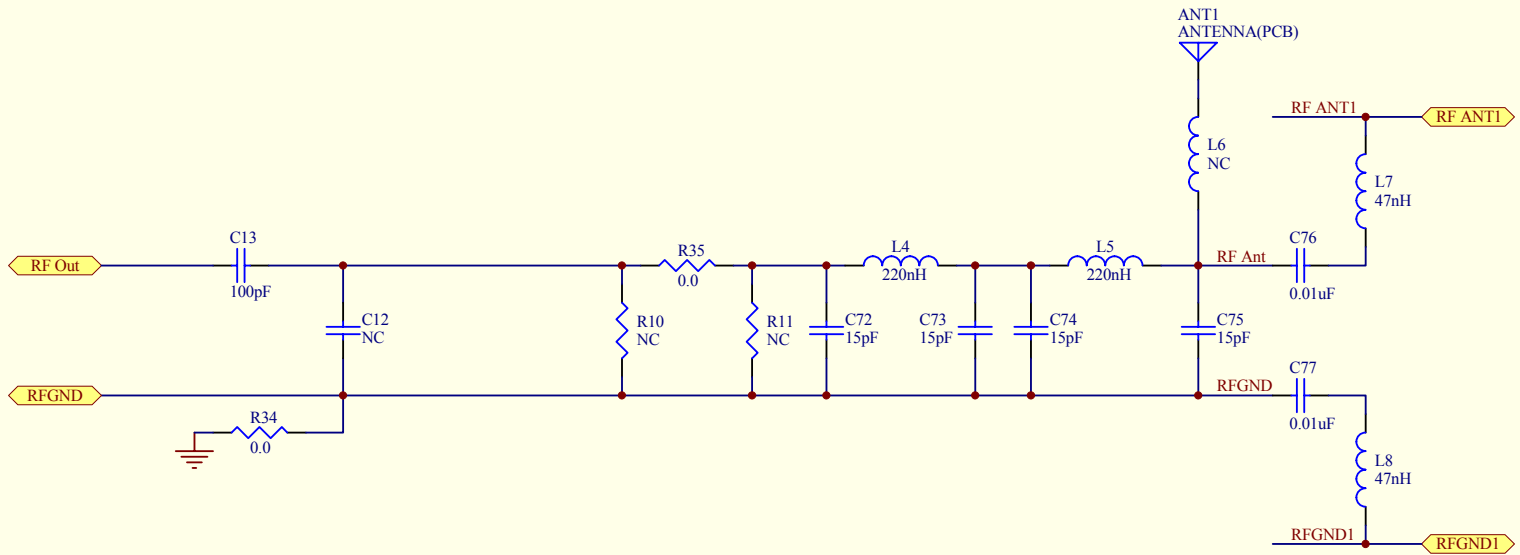
R. Riffert Confidential

Title		
Project Number: P616 - LCDiTrip FM Audio Filter		
Size	Number	Revision
A	P616	3D
Date:	2-Dec-2005	Sheet of 5 of 7
File:	C:\Design Files2\P616-LCDiTrip\P616-LCDiTrip.r3d.ddb	



R. Riffert Confidential

Title			
Project Number: P616 - LCDiTrip FM Stereo Transmitter			
Size	Number	Revision	
A4	P616	3D	
Date:	2-Dec-2005	Sheet of	6 of 7
File:	C:\Design Files2\P616-LCDiTrip\P616-LCDiTrip.r3d.dcb		



R. Riffert Confidential

Title		
Project Number: P616 - LCDiTrip FM Stereo Transmitter		
Size	Number	Revision
A	P616	3D
Date:	2-Dec-2005	Sheet of 7 of 7
File:	C:\Design Files2\P616-LCDiTrip\P616-LCDiTrip.r3d.ddb	