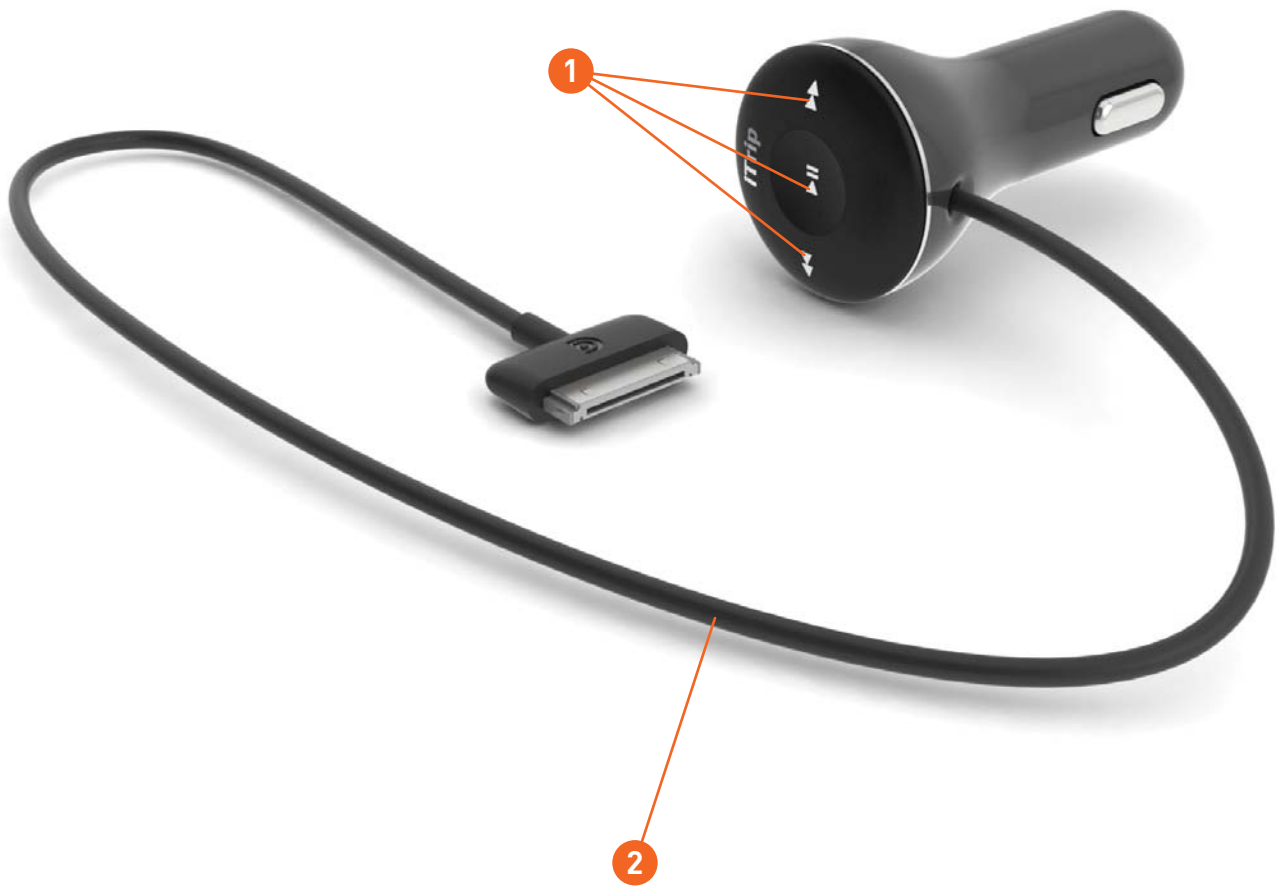
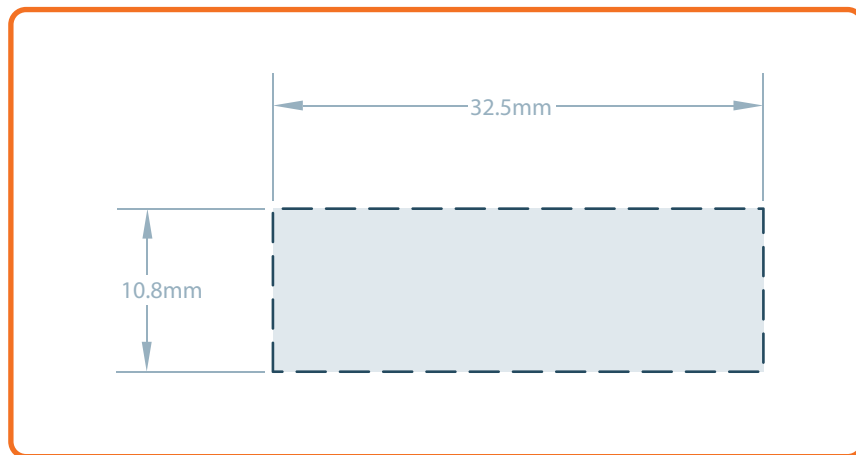
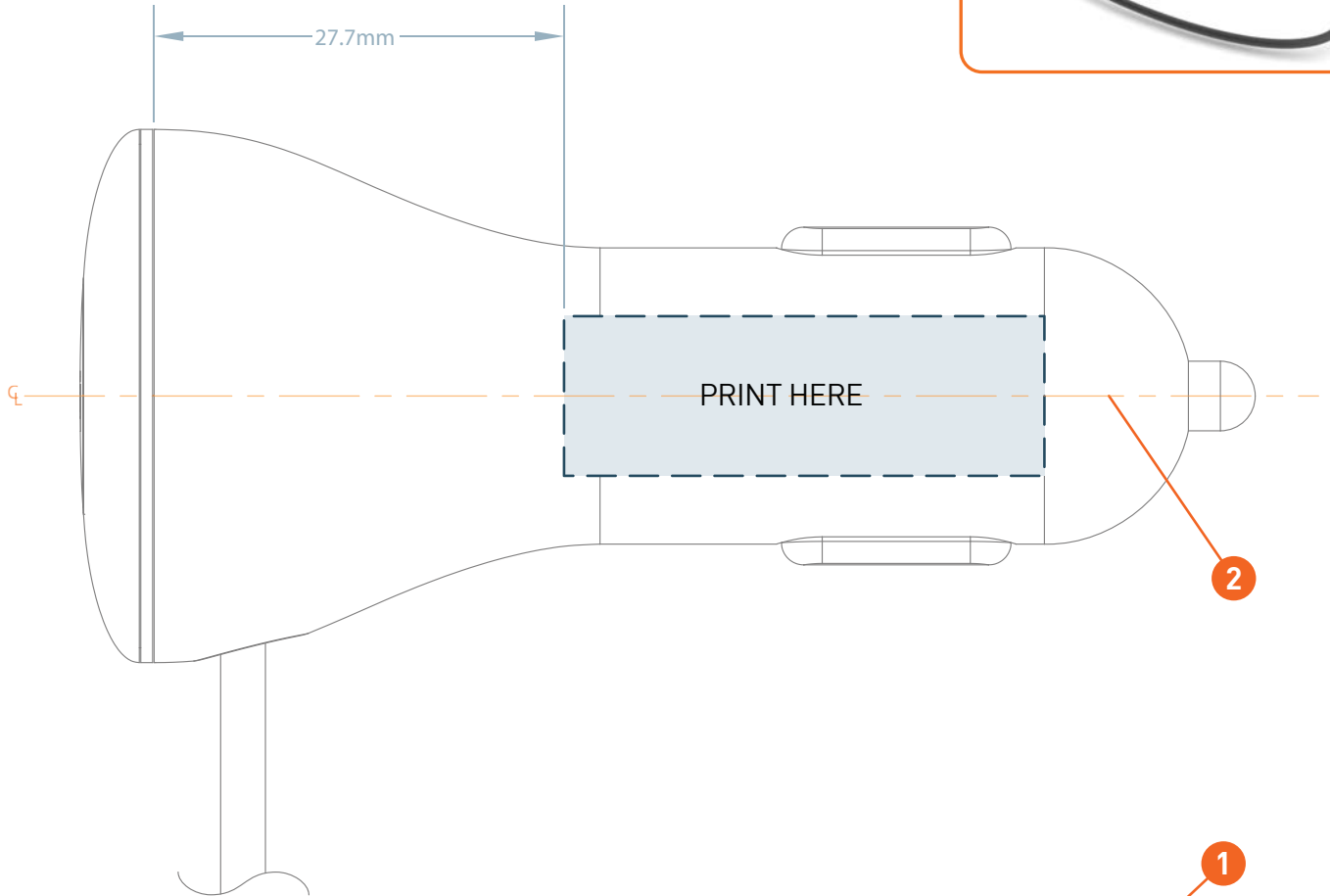
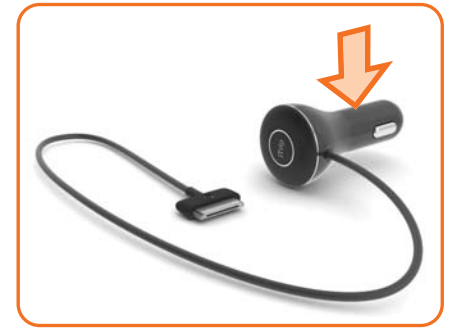


Part #	Part description	Material	Color	Texture	Finish	
1	P1914-ID-01	Back Shell	Plastic	Black	None	High Gloss
2	P1914-ID-02	Certification Information	Print	Black	N/A	Matte
3	P1914-ID-03	Accent Ring	Metal	N/A	None	Polished
4	P1914-ID-04	Outer Button	Plastic	Black	N/A	Rubber Paint
5	P1914-ID-05	Inner Button	Plastic	Black	N/A	Rubber Paint
6	P1914-ID-06	iTrip Logo	Foil Stamp	Chrome	N/A	N/A
7	P1914-ID-07	Track Control Icons	Plastic	Translucent	None	Gloss
8	P1914-ID-08	30-Pin Housing	Plastic	Black	GTEX 13	Matte
9	P1914-ID-09	Debossed Griffin Symbol	Plastic	Black	None	High Gloss
10	P1914-ID-10	Strain Relief	Rubber	Black	GTEX 13	Matte
11	P1914-ID-11	Cord	Plastic	Black	GTEX 13	Matte
12	P1914-ID-12	Griffin Logo	Print	Pantone 877 Metallic Silver	N/A	Gloss
13	P1914-ID-13	Griffin Symbol	Print	Pantone 1665	N/A	Gloss



Instructions

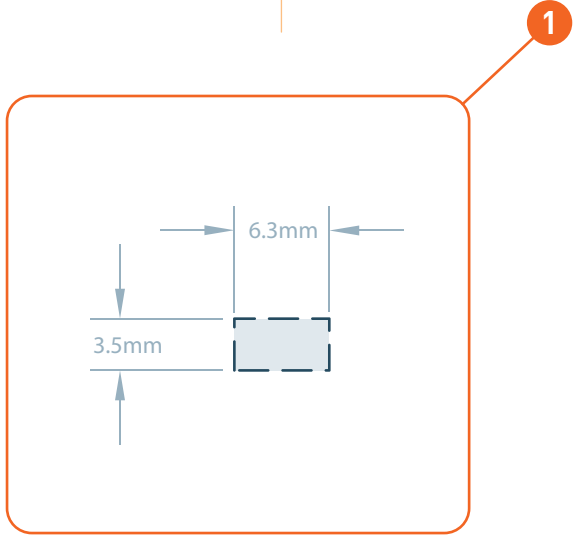
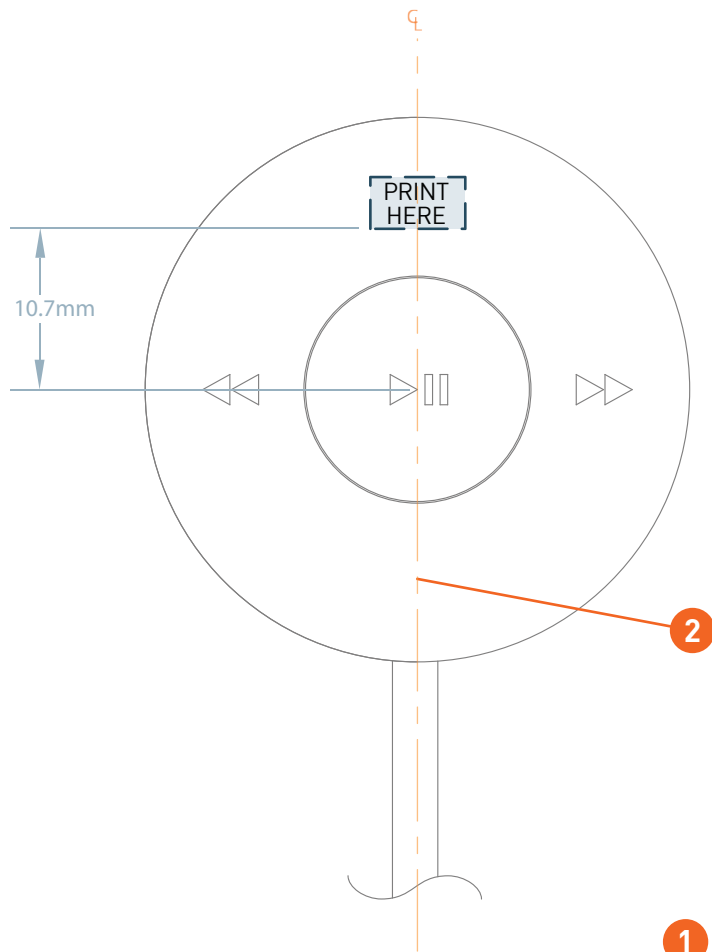
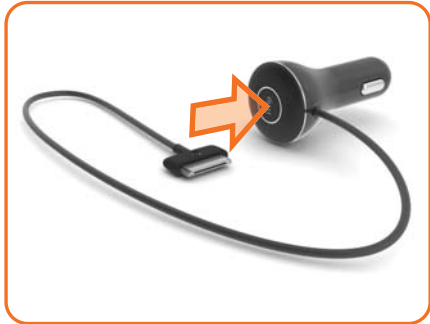
- | | |
|---|---|
| 1 | LED illuminating P1914-ID-07 (Track Control Icons) to be white. |
| 2 | Length of P1914-ID-11 (Cord) to be 1,062mm (length corresponds to exposed cord outside of strain relief). |



SCALE = 2:1

Artwork

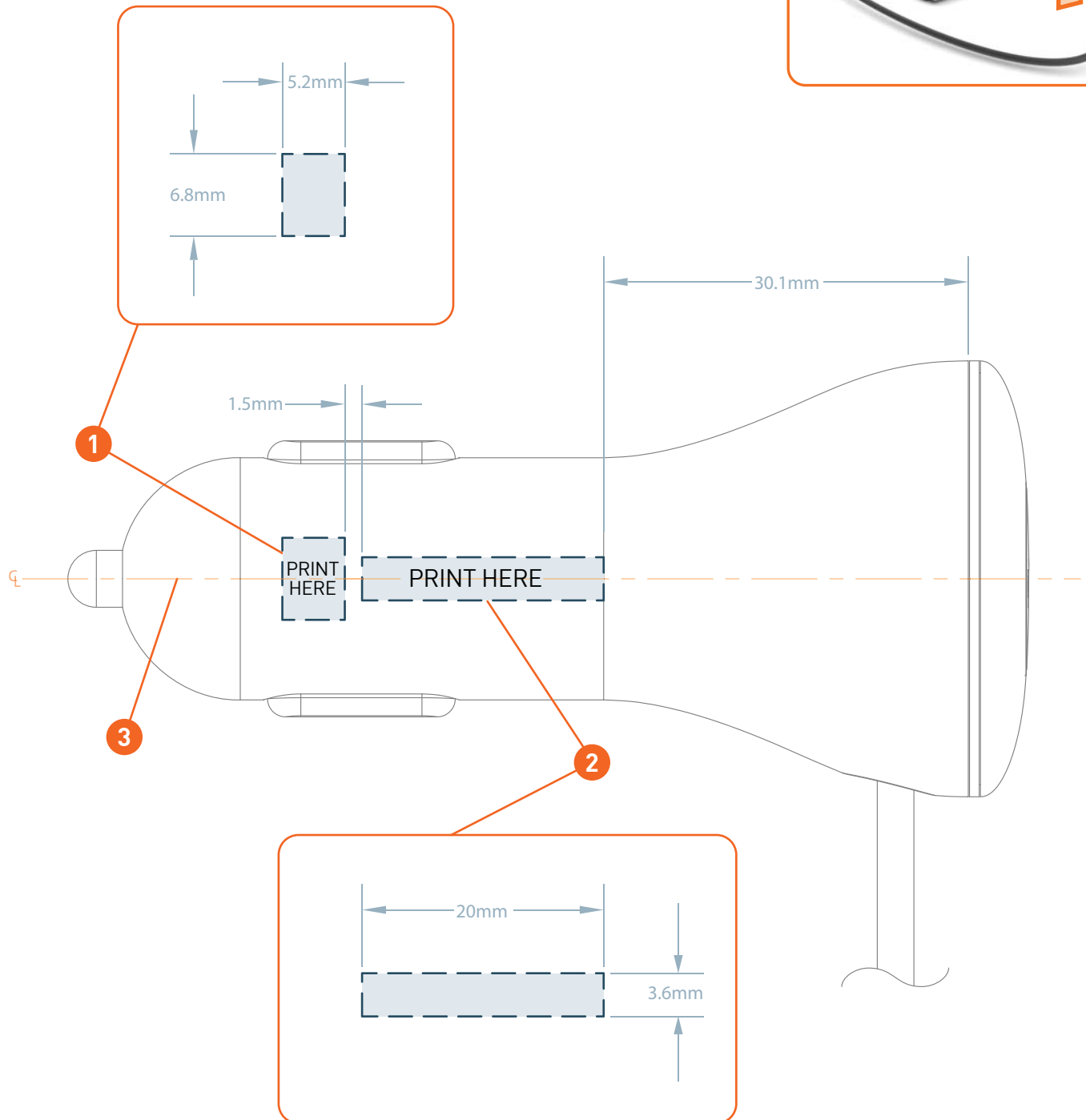
- 1 Print P1914-ID-02 (Certification Information) on P1914-ID-01 (Back Shell). Reference file "P1914-250-D.ai" for artwork.
- 2 Center print vertically on P1914-ID-01 (Back Shell).



SCALE = 2:1

Artwork

- 1 Print P1914-ID-06 (iTrip Logo) on P1914-ID-04 (Outer Button). Reference file "P1914-251-A.ai" for artwork.
- 2 Center print horizontally on P1914-ID-04 (Outer Button).

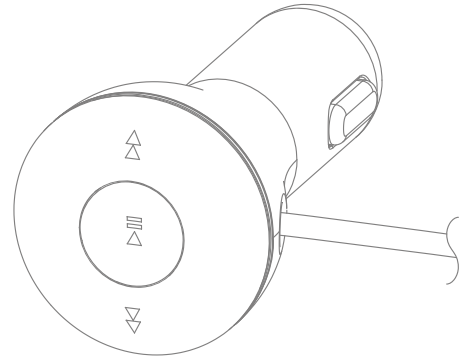
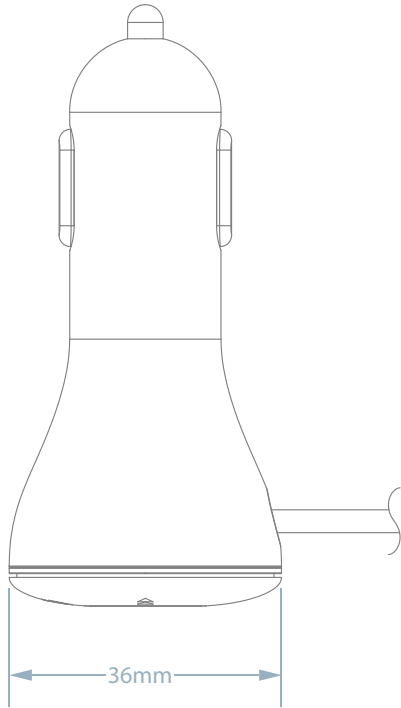


SCALE = 2:1

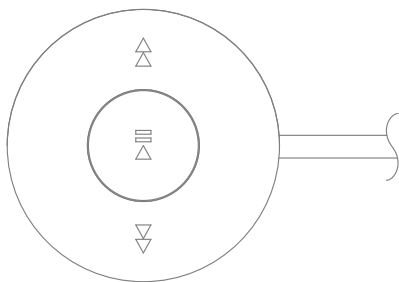
Artwork

- 1 Print P1914-ID-13 (Griffin Symbol) on P1914-ID-01 (Back Shell). Reference file "P1914-252-A.ai" for artwork.
- 2 Print P1914-ID-12 (Griffin Logo) on P1914-ID-01 (Back Shell). Reference file "P1914-253-A.ai" for artwork.
- 3 Center prints vertically on P1914-ID-01 (Back Shell).

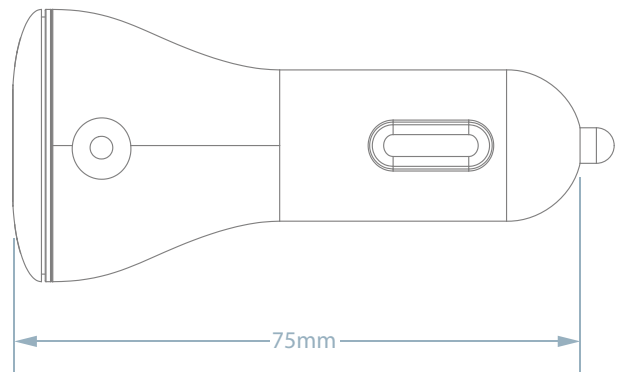
RIGHT



FRONT



BOTTOM



SCALE = 1:1

Dimensions