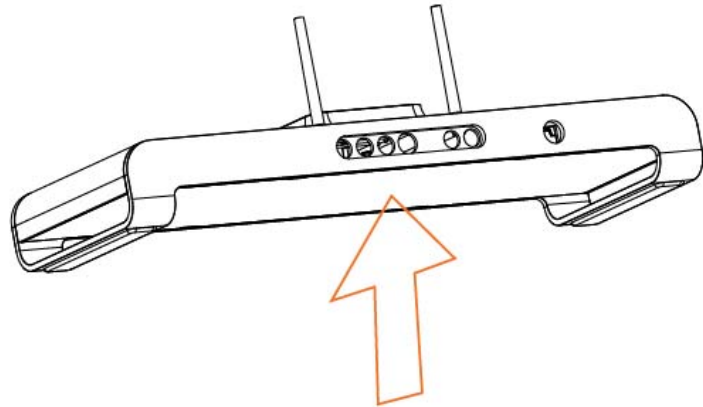



CONFIDENTIAL



GRIFFIN **EVOLVE**
WIRELESS SOUND SYSTEM

© 2007 Griffin Technology
Designed in Tennessee Assembled in Taiwan
IC: 6384A-1201BASE FCC ID: PAV1201B
1201-CUBES2 6142-CUBES2 Input Rating - 12V DC/ 5A

CE FC  LISTED
E315986
3NSP
I.T.C.

This device complies with Part 15 of the FCC Rules.
Operation is subject to the following two conditions:
(1) this device may not cause harmful interference, and
(2) this device must accept any interference received,
including interference that may cause undesired operation.

SERIAL #: _____

SCALE = 1:1