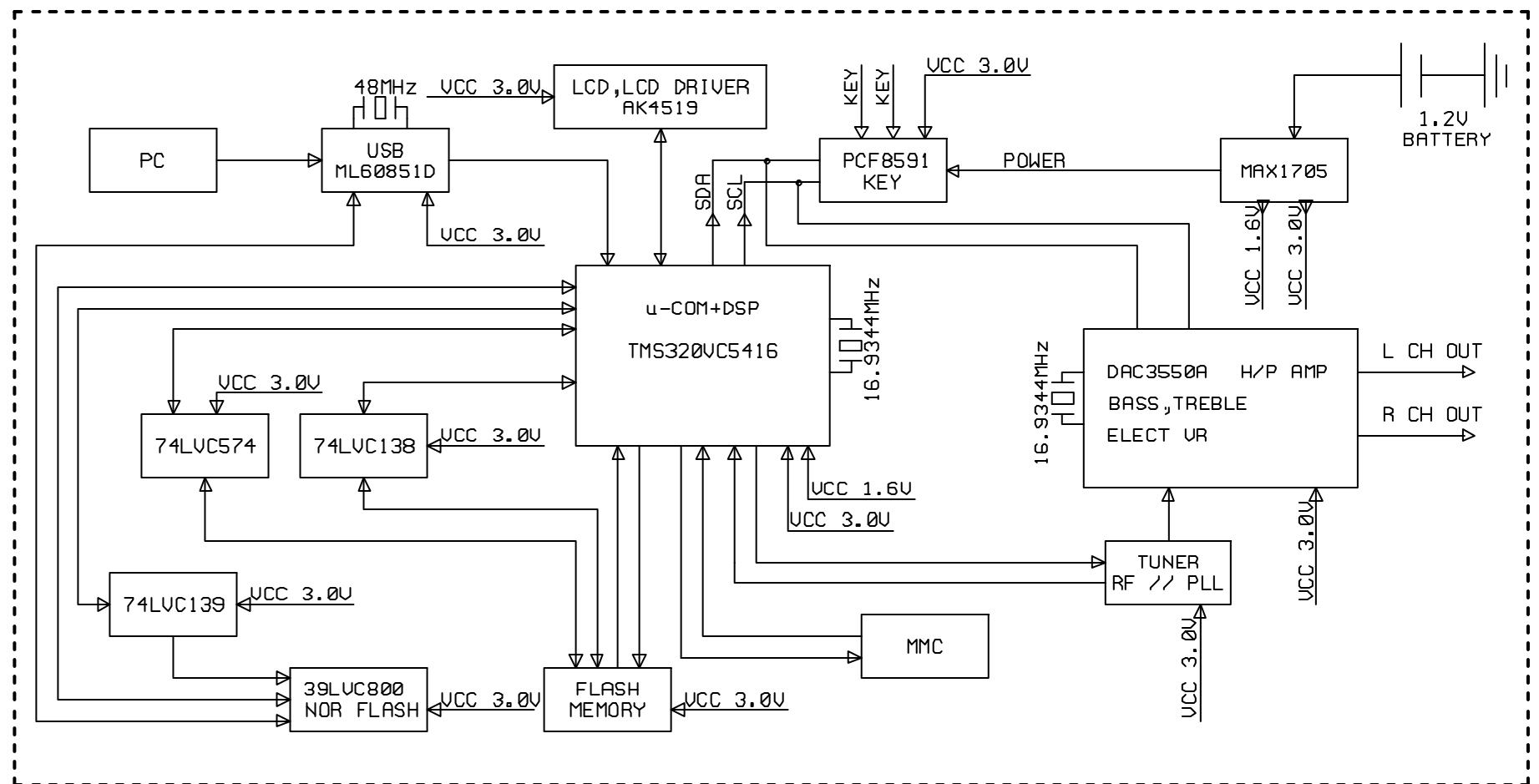


REV	DATE	NO.	CONTENT	DESIGN	CHECK
1					
2					
3					



NO	CODE NO.	PARTIAL	TREATMENT	QTY	MODEL	REMARK
1					AX - 400	
DATE	DESIGN	CHECK	APPRO	DATE	2008.0.22	
				TOL	10P	
				SCALE	/	
				UNIT	PCS	
				NAME		BLOCK DIAGRAM
				DES. NO		