

RF Maximum Permissible Exposure Measurement Report

of

E.U.T. : Wireless LAN PC Card

MODEL : WL-1100

for

APPLICANT : CC&C Technologies, Inc.

ADDRESS : 8F, 150, Chien-I Road, Chung Ho City, Taipei Hsien,
Taiwan, R.O.C.

Test Performed by

ELECTRONICS TESTING CENTER, TAIWAN
NO. 8 LANE 29, WENMIMG ROAD,
LOSHAN TSUN, KWEISHAN HSIANG,
TAOYUAN, TAIWAN, R.O.C.

Tel:(03)3280026-32

Fax:(03)3280034

Report Number : ET89R-09-034-01

TEST REPORT CERTIFICATION

Applicant : CC&C Technologies, Inc.
8F, 150, Chien-I Road, Chung Ho City, Taipei Hsien, Taiwan, R.O.C.

Manufacturer : CC&C Technologies, Inc.
8F, 150, Chien-I Road, Chung Ho City, Taipei Hsien, Taiwan, R.O.C.

Description of EUT :

a) Type of EUT : Wireless LAN PC Card
b) Trade Name : N/A
c) Model No. : WL-1100
d) Power Supply : From Notebook PC

Regulation Applied : IEEE C95.1-1991, FCC 47 CFR Part 1 and Part 2

I HEREBY CERTIFY THAT: The data shown in this report were made in accordance with the procedures given in IEEE C95.1, and the energy emitted by the device was founded to be within the limits applicable. I assume full responsibility for accuracy and completeness of these data.

Note: 1. The result of the testing report relates only to the item tested.
2. The testing report shall not be reproduced expect in full, without the written approval of ETC.

Issued Date : Oct. 03, 2000

Test Engineer : Jeff Chuang
(Jeff Chuang)

Approve & Authorized Signer : Will Yauo
Will Yauo, Supervisor
EMI Test Site of ELECTRONICS
TESTING CENTER, TAIWAN

Table of Contents	Page
1 GENERAL INFORMATION	1
1.1 Product Description	1
1.2 Characteristics of Device.....	1
1.3 Test Methodology	1
1.4 Test Facility	1
2 PROVISIONS APPLICABLE.....	2
2.1 Definition	2
2.2 Relative Requirement for Compliance	2
3 SYSTEM TEST CONFIGURATION.....	3
3.1 Justification.....	3
3.2 Devices for Tested System.....	3
4 MAXIMUM PERMISSIBLE EXPOSURE MEASUREMENT.....	4
4.1 Applicable Standard.....	4
4.2 Measurement Procedure.....	4
4.3 Measurement Instrument	5
4.4 Power Density Data.....	5

1 GENERAL INFORMATION

1.1 Product Description

- a) Type of EUT : Wireless LAN PC Card
- b) Trade Name : N/A
- c) Model No. : WL-1100
- d) Power Supply : From Notebook PC

1.2 Characteristics of Device

It's a Wireless LAN PC Card, complaint with IEEE 802.11.

The Wireless LAN PC Card designed with a transmitting method of direct sequence spread spectrum is for local area network operation, which operates at 2.4 GHz ISM band and data rate up to 11 Mbps.

1.3 Test Methodology

The Maximum Permissible Exposure (MPE) was performed according to the procedures illustrated in IEEE C95.1-1991.

1.4 Test Facility

The open area test site and conducted measurement facility used to collect the radiated data is located on the roof top of Building at No.34, 5 Lirn, Din Fu Tsun, Lin Kou, Taipei, Taiwan, R.O.C.

This site has been fully described in a report submitted to the FCC, and accepted in a letter dated Feb. 10, 2000.

2 PROVISIONS APPLICABLE

2.1 Definition

MPE in Occupational / Controlled Environments:

Persons are exposed as a consequence of their employment provided those persons are fully aware of the potential for exposure and can exercise control over their exposure. Also apply to a individual is transient through a location where occupational / controlled limits apply provided he or she is made aware of the potatial for exposure.

MPE in General Population / Uncontrolled Environments:

General population / Uncontrlled exposure apply in situation in which the general public may be exposed, or in which persons that are exposed as a consequence of their employment may not be fully aware of the potatial for exposure or cannot execise control over their exposure.

2.2 Relative Requirement for Compliance

(1) MPE for Controlled Enviroments

According to section 1.1310 of FCC 47 CFR Part 1, MPE Limits for controlled enviroment are as following:

Frequency Range (MHz)	Electric Field Strength (V/m)	Magnetic Field Strength (A/m)	Power Density (mW/cm ²)	Averaging Time (minutes)
0.3-3.0	614	1.63	*100	6
3-30	1842/f	4.89/f	*900/f ²	6
30-300	61.4	0.163	1.0	6
300-1500	-----	-----	f/300	6
15000-100,000	-----	-----	5.0	6

(2) MPE for Uncontrolled Enviroments

According to section 1.1310 of FCC 47 CFR Part 1, MPE Limits for uncontrolled enviroment are as following:

Frequency Range (MHz)	Electric Field Strength (V/m)	Magnetic Field Strength (A/m)	Power Density (mW/cm ²)	Averaging Time (minutes)
0.3-3.0	614	1.63	*100	30
3-30	1842/f	4.89/f	*180/f ²	30
30-300	27.5	0.073	0.2	30
300-1500	-----	-----	f/1500	30
15000-100,000	-----	-----	1.0	30

f = frequency in MHz

* = Plane-wave equivalent power desity

3 SYSTEM TEST CONFIGURATION

3.1 Justification

The system was configured for testing in a typical fashion, as a customer would normally use it. But for MPE testing, because of the emission type of EUT is frequency hopping technique, a firmware from the manufacturer is employed to set the EUT in maximum output power and fix the transmitting frequency of EUT. The output power was also verified with a spectrum analyzer. The peripherals other than EUT were connected in normally standing by situation. Hereby, we can make sure that the MPE testing was performed under the worst case.

3.2 Devices for Tested System

Device	Manufacture	Model	Cable Description
Wireless LAN PC Card *	CC&C Technologies, Inc.	WL-1100	----
Note Book Computer	Tatung	TNB-5900 BJMTNB5900	2.5m Unshielded AC Adaptor Poewr Cord
Printer	Hewlett-Packard	2225C+ DSI6XU2225	1.2m Shielded Cable
Modem	Smar TEAM Co.	1200AT EF56A51200AT	2.0m Shielded Cable

Remark “*” means device under test.

4 Maximum Permissible Exposure Measurement

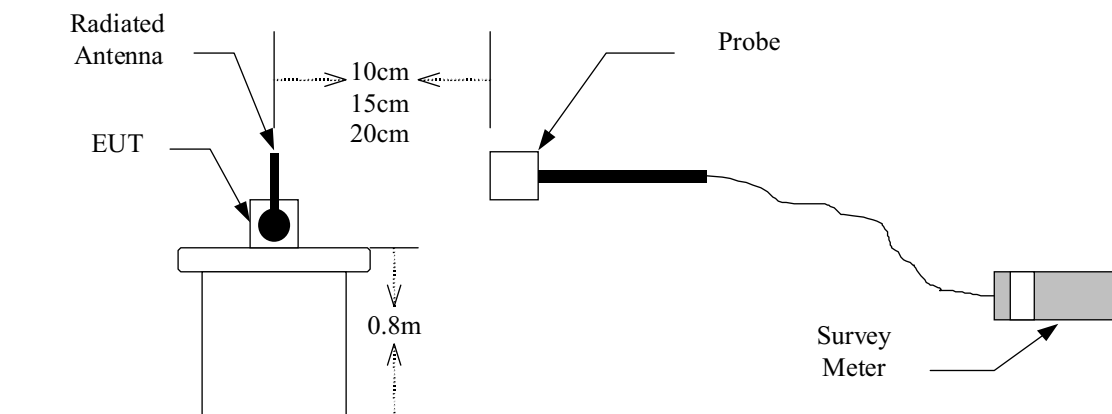
4.1 Applicable Standard

For this intentional radiator are used with any possible people, therefore the **Uncontrolled Environment Condition** is applied. And the MPE requirement is as described in section 2.2 of this test report.

4.2 Measurement Procedure

- (1) Set up the device under test (DUT) as its normal using configuration. Please see figure 1.
- (2) Calibrate the probe system so that the meter displays zero, and then power on the DUT.
- (3) Scan the antenna of DUT with a proper spacer of 5 cm in vertical axis and keep vertical scanning around the antenna, and pick up the maximum data with Max. Hold function.
- (4) Repeat step (3) by changing the spacer to 10 cm and then 20 cm till the field from DUT is too weak to be measured.
- (5) Record the maximum value appeared.

Figure 1 : Measurement configuration



4.3 Measurement Instrument

The following instrument are used for radiated emissions measurement :

Equipment	Manufacturer	Model No.	Next Cal. Due
Survey Meter	Narda	8712	Jan. 30, 2001
Probe	Narda	8721D	Jan. 30, 2001

4.4 Power Density Data

Operation Mode : TX/RX
 Transmitting Frequency : 2400.0 to 2483.5 MHz
 Rated Maximum Output Power : 10.0 dBm
 Measured Output Peak Power : 9.83dBm @ 2412MHz, 8.00dBm @ 2437MHz, 7.50 dBm @ 2462
 Test Date : Oct. 02, 2000 Temperature : 23 °C Humidity : 60 %

Measured Frequency MHz	Measured @ 10cm mW/cm ²	Measured @ 15cm mW/cm ²	Measured @ 20cm mW/cm ²	Measured @ 30cm mW/cm ²	Probe Factor	Result @ 10cm mW/ cm ²	MPE Limit @ 20cm mW/cm ²
CH 01	0.0175	0.0125	0.0112	---	0.815	0.014	1.0
CH 06	0.0200	0.0162	0.0137	---	0.815	0.016	1.0
CH 11	0.0212	0.0187	0.0150	---	0.815	0.017	1.0

Note :

1. Remark “---” means that the emission level is too low to be measured (the precise accuracy of the measurement system is 0.01 mW/ cm²).
2. Item of Probe Factor on above table is a corrected factor of measurement system.
And
Result = Value Measured X Corrected Factor.
3. The measurement was performed under the condition of fixed the emission frequency to get the most extreme MPE.