

# 承 認 書

## SPECIFICATION FOR APPROVAL

使用機種：WLAN 11n WAPI AP, 150Mbps

品 號：36G329300-00

品 名：PIFA Antenna

製 造 商：宏湃

製造商型號：RPA001

採購部門		零件承認單位		
採購承辦	主管審核	承認	審查	核准
<i>Ksthe 9/29</i>	<i>[Signature]</i>	Kevin	<i>[Signature]</i>	<i>[Signature]</i>

注意事項：



# 宏湃企業股份有限公司

HUN PAI ENTERPRISE Co., LTD.

宏湃企業股份有限公司

電話 886-02-22999639

傳真 886-02-89902206

台北縣五股鄉五權二路 17 號 1 樓

## 承認書

### SPECEIFICATION FOR APPROVAL

客戶/ Customer : 晶訊科技股份有限公司

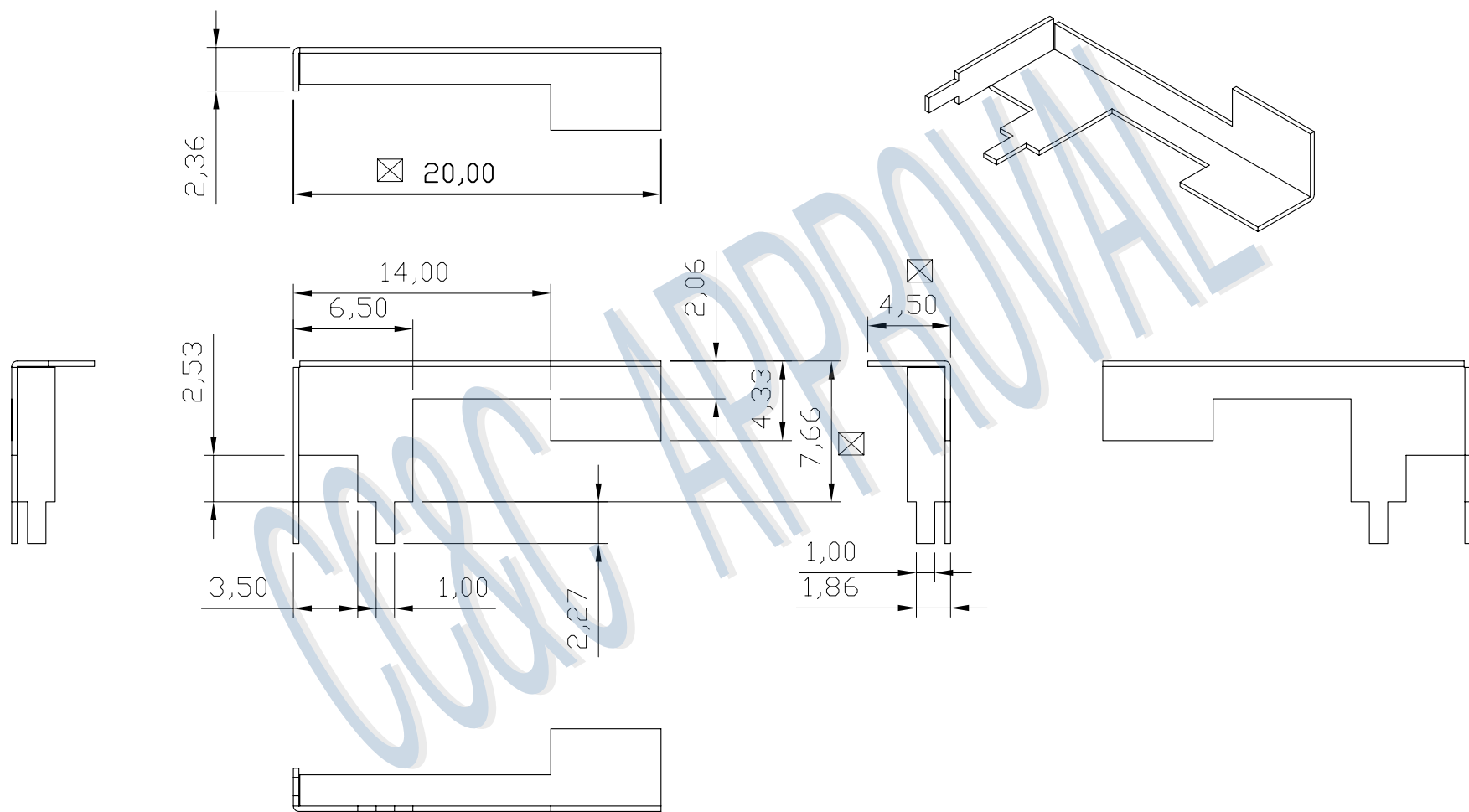
製造商/ Vender : 宏湃企業股份有限公司

宏湃料號/ Part No : PIFA-RPA001

客戶料號/ Part No : 36G329300-00

規格/ Description : PIFA Antenna

宏湃企業股份有限公司	客戶承認 Customer Approved
	日期/Date:

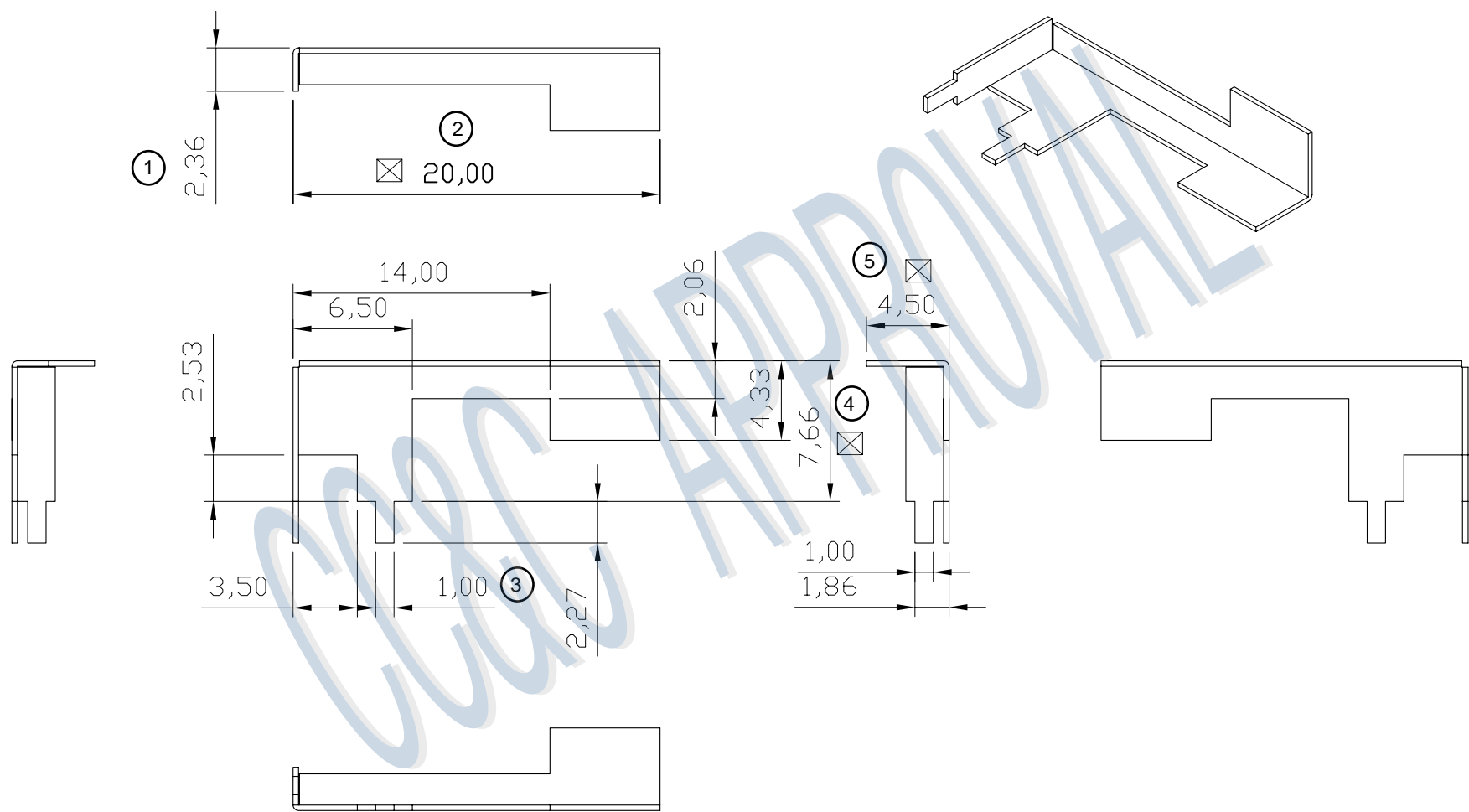


NOTES:

1 .MATERIAL:SPTE(MRT-3) T= 0.3 mm/ 0.01 INCH

ECON NO 2010/03/17	DATE 2010/03/17	DRAWN Kan	CHKD Thomas Tung	APPD Thomas Tung	DESCRIPTION	MM	INCH	DIMENSION STYLE MM / INCH	TITLE RTK WiFi PIFA-0001	
						25-50	± 0.20			± ---
						10-25	± 0.15			± ---
						5-10	± 0.10			± ---
						0-5	± 0.05			± ---
QUALITY SYMBOLS	ANGULAR 15	(MAJOR) ☒ = 3	APPROVED BY Thomas tung	DATE 2010/03/17	MATERIAL NO. PIFA-RPA001	DOCUMENT NO. SD-PIFA-A01	SHEET NO. 1 OF 1			





NOTES:

1 MATERIAL:SPTE(MRT-3) T= 0.3 mm/ 0.01 INCH

EON NO. 2010/03/17	DATE	2010/03/17	DESCRIPTION	MM	INCH	DIMENSION STYLE MM / INCH	TITLE RTK WiFi PIFA-0001			
	DRAWN	Kan		± 0.20	± ---					
	CHKD	Thomas Tung		± 0.15	± ---	DRAWN BY		DATE		
	APPD	Thomas Tung		± 0.10	± ---	Thomas Liu		2010/03/17		
	REV	A		± 0.05	± ---	CHECKED BY		DATE		
				ANGULAR	i1.5	Thomas tung	2010/03/17	HUNPAI ENTERPRISE Co., LTD.		
				QUALITY SYMBOLS	(MAJOR) ☒ = 3	APPROVED BY	DATE	MATERIAL NO.	DOCUMENT NO.	SHEET NO.
						Thomas tung	2010/03/17	PIFA-RPA001	SD-PIFA-A01	1 OF 1



品質證明書  
CERTIFICATE OF QUALITY AND MASS

SHIPPING MARK

參考編號

REFERENCE NO :

合約編號

CONTRACT NO :

品名

COMMODITY : ELECTROLYTIC TINPLATE

規格

SPECIFICATION : JIS G 3303 SPTE MR T-3 R2 2.8/2.8 0.300\*914.0\*1.0

客戶

CUSTOMER : 廣有金屬企業股份有限公司

客戶編號

CUSTOMER CONTROL NO : 00394

製造商



統一實業股份有限公司

MANUFACTURER : TON YI INDUSTRIAL CORP.

證明書編號

頁

CERTIFICATE NO : 10020216

PAGE : 3

證明書日期

DATE OF ISSUE : 2010.02.25

註記

NOTE :

包裝編號 PACKAGE NO:	檢查號碼 INSPECTION NO:	圈解號碼 COIL NO :	數量 LENGTH /SHEET	淨重 NET MASS	毛量 GROSS MASS	HR 30T	COATING WEIGHT		CHEMICAL COMPOSITION(%)					YP N/mm2	TS N/mm2	EL %
							TOP	BOT	C	Si	Mn	P	S			
1	19C2821004	B19Z11C023	3860M	8299	8399	59			4	1	25	13	8			
2	19C2821007	B19Z11C305	4105M	8826	8926	58			4	1	25	13	8			
	TOTAL	2	7965	17125												

<p>備註 REMARKS</p> <p>COIL LENGTH UNIT : Meter / Feet</p> <p>NET MASS UNIT : KG / LB      kgf / mm2 = (N/mm2) / 9.8</p> <p>GROSS MASS UNIT : KG / LB</p> <p>HR-30T : Rockwell Superficial Hardness Test</p> <p>COATION WEIGHT UNIT : TIN : (g/m<sup>2</sup>)/(LB/BB)</p> <p>TFS : mg/m<sup>2</sup></p>	<p>茲證明本表所列檢查結果均按本公司存檔資料記載正確無誤。 WE HEREBY CERTIFY THAT THE MATERIAL DESCRIBED HEREIN HAS BEEN TESTED AND INSPECTED WITH SATISFACTORY RESULTS IN ACCORDANCE WITH THE REQUIREMENTS OF THE ABOVE SPECIFICATION.</p>	<p><b>L.Y.Lu</b> MANAGER. INSPECTION.</p>
---	---	---

HUN PAI ENTERPRISE CO., LTD.  
1F., NO. 17, WUCHUAN 2ND RD., WUKU HSIANG, TAIPEI COUNTY 248,  
TAIWAN (R. O. C.)



The following sample(s) was/were submitted and identified by/on behalf of the client as :

Sample Description : SHIELD CASE (TIN-PLATE DR9)  
Sample Receiving Date : 2009/11/27  
Testing Period : 2009/11/27 TO 2009/12/03

Test Result(s) : Please refer to next page(s).

CCC APPROVAL

Chenyu Kung / Operation Manager  
Signed for and on behalf of  
SGS TAIWAN LTD.  
Chemical Laboratory – Taipei

Unless otherwise stated the results shown in this test report refer only to the sample(s) tested. This test report cannot be reproduced, except in full, without prior written permission of the Company. 除非另有說明，此報告結果僅對測試之樣品負責。本報告未經本公司書面許可，不可部份複製。

This Test Report is issued by the Company under its General Conditions of Service printed overleaf or available on request and accessible at [http://www.sgs.com/terms\\_and\\_conditions.htm](http://www.sgs.com/terms_and_conditions.htm). Attention is drawn to the limitation of liability, indemnification and jurisdiction issues defined therein. Any holder of this Test Report is advised that information contained hereon reflects the Company's findings at the time of its intervention only and within the limits of Client's instructions, if any. The Company's sole responsibility is to its Client and this document does not exonerate parties to a transaction from exercising all their rights and obligations under the transaction documents. Any unauthorized alteration, forgery or falsification of the content or appearance of this document is unlawful and offenders may be prosecuted to the fullest extent of the law.



HUN PAI ENTERPRISE CO., LTD.  
 1F., NO. 17, WUCHUAN 2ND RD., WUKU HSIANG, TAIPEI COUNTY 248,  
 TAIWAN (R. O. C.)



### Test Result(s)

PART NAME NO.1 : SILVER COLORED METAL

Test Item (s):	Unit	Method	MDL	Result
				No.1
Cadmium (Cd)	mg/kg	With reference to IEC 62321: 2008 and performed by ICP-AES.	2	n.d.
Lead (Pb)	mg/kg	With reference to IEC 62321: 2008 and performed by ICP-AES.	2	n.d.
Mercury (Hg)	mg/kg	With reference to IEC 62321: 2008 and performed by ICP-AES.	2	n.d.
Hexavalent Chromium Cr(VI) by Spot test / boiling water extraction	**	With reference to IEC 62321: 2008 and performed by Spot test / boiling water extraction Method. (See Note 5)	0.02mg/kg with 50 cm <sup>2</sup> surface area	Negative
Perfluorooctane sulfonates (PFOS) PFOS – Acid PFOS – Metal Salt PFOS – Amide	mg/kg	With reference to US EPA 3540C: 1996 method for PFOS Content. Analysis was performed by LC/MS.	10	n.d.
PFOA (CAS No.: 000335-67-1)	mg/kg	With reference to US EPA 3540C: 1996 method for PFOA Content. Analysis was performed by LC/MS.	10	n.d.
<b>Halogen</b>				
Halogen-Fluorine (F) (CAS No.: 014762-94-8)	mg/kg	With reference to BS EN 14582:2007. Analysis was performed by IC.	50	n.d.
Halogen-Chlorine (Cl) (CAS No.: 022537-15-1)	mg/kg	With reference to BS EN 14582:2007. Analysis was performed by IC.	50	n.d.
Halogen-Bromine (Br) (CAS No.: 010097-32-2)	mg/kg	With reference to BS EN 14582:2007. Analysis was performed by IC.	50	n.d.
Halogen-Iodine (I) (CAS No.: 014362-44-8)	mg/kg	With reference to BS EN 14582:2007. Analysis was performed by IC.	50	n.d.

Unless otherwise stated the results shown in this test report refer only to the sample(s) tested. This test report cannot be reproduced, except in full, without prior written permission of the Company. 除非另有說明，此報告結果僅對測試之樣品負責。本報告未經本公司書面許可，不可部份複製。

This Test Report is issued by the Company under its General Conditions of Service printed overleaf or available on request and accessible at [http://www.sgs.com/terms\\_and\\_conditions.htm](http://www.sgs.com/terms_and_conditions.htm). Attention is drawn to the limitation of liability, indemnification and jurisdiction issues defined therein. Any holder of this Test Report is advised that information contained hereon reflects the Company's findings at the time of its intervention only and within the limits of Client's instructions, if any. The Company's sole responsibility is to its Client and this document does not exonerate parties to a transaction from exercising all their rights and obligations under the transaction documents. Any unauthorized alteration, forgery or falsification of the content or appearance of this document is unlawful and offenders may be prosecuted to the fullest extent of the law.

HUN PAI ENTERPRISE CO., LTD.  
 1F., NO. 17, WUCHUAN 2ND RD., WUKU HSIANG, TAIPEI COUNTY 248,  
 TAIWAN (R. O. C.)



Test Item (s):	Unit	Method	MDL	Result
				No.1
Sum of PBBs	mg/kg	With reference to IEC 62321: 2008 and performed by GC/MS.	-	n.d.
Monobromobiphenyl			5	n.d.
Dibromobiphenyl			5	n.d.
Tribromobiphenyl			5	n.d.
Tetrabromobiphenyl			5	n.d.
Pentabromobiphenyl			5	n.d.
Hexabromobiphenyl			5	n.d.
Heptabromobiphenyl			5	n.d.
Octabromobiphenyl			5	n.d.
Nonabromobiphenyl			5	n.d.
Decabromobiphenyl			5	n.d.
Sum of PBDEs			-	n.d.
Monobromodiphenyl ether			5	n.d.
Dibromodiphenyl ether			5	n.d.
Tribromodiphenyl ether			5	n.d.
Tetrabromodiphenyl ether			5	n.d.
Pentabromodiphenyl ether			5	n.d.
Hexabromodiphenyl ether			5	n.d.
Heptabromodiphenyl ether			5	n.d.
Octabromodiphenyl ether			5	n.d.
Nonabromodiphenyl ether			5	n.d.
Decabromodiphenyl ether			5	n.d.

Note : 1. mg/kg = ppm; 0.1wt% = 1000ppm

2. n.d. = Not Detected

3. MDL = Method Detection Limit

4. " - " = Not Regulated

5. Spot-test:

Negative = Absence of Cr(VI) coating / surface layer;

Positive = Presence of Cr(VI) coating / surface layer;

(The tested sample should be further verified by boiling-water-extraction method if the spot test result cannot be confirmed.)

Boiling-water-extraction:

Negative = Absence of Cr(VI) coating / surface layer.

Positive = Presence of Cr(VI) coating / surface layer;

the detected concentration in boiling-water-extraction solution is equal or greater than 0.02 mg/kg with 50 cm<sup>2</sup> sample surface area.

6. \*\* = Qualitative analysis (No Unit)

Unless otherwise stated the results shown in this test report refer only to the sample(s) tested. This test report cannot be reproduced, except in full, without prior written permission of the Company. 除非另有說明，此報告結果僅對測試之樣品負責。本報告未經本公司書面許可，不可部份複製。

This Test Report is issued by the Company under its General Conditions of Service printed overleaf or available on request and accessible at [http://www.sgs.com/terms\\_and\\_conditions.htm](http://www.sgs.com/terms_and_conditions.htm). Attention is drawn to the limitation of liability, indemnification and jurisdiction issues defined therein. Any holder of this Test Report is advised that information contained hereon reflects the Company's findings at the time of its intervention only and within the limits of Client's instructions, if any. The Company's sole responsibility is to its Client and this document does not exonerate parties to a transaction from exercising all their rights and obligations under the transaction documents. Any unauthorized alteration, forgery or falsification of the content or appearance of this document is unlawful and offenders may be prosecuted to the fullest extent of the law.

HUN PAI ENTERPRISE CO., LTD.  
1F., NO. 17, WUCHUAN 2ND RD., WUKU HSIANG, TAIPEI COUNTY 248,  
TAIWAN (R. O. C.)



### PFOS Reference Information : Directive 2006/122/EC

- (1) May not be placed on the market or used as a substance or constituent of preparations in a concentration equal to or higher than 0.005 % by mass.
- (2) May not be placed on the market in semi-finished products or articles, or parts thereof, if the concentration of PFOS is equal to or higher than 0.1 % by mass calculated with reference to the mass of structurally or microstructurally distinct parts that contain PFOS or, for textiles or other coated materials, if the amount of PFOS is equal to or higher than 1µg/m<sup>2</sup> of the coated material.

CCC APPROVAL

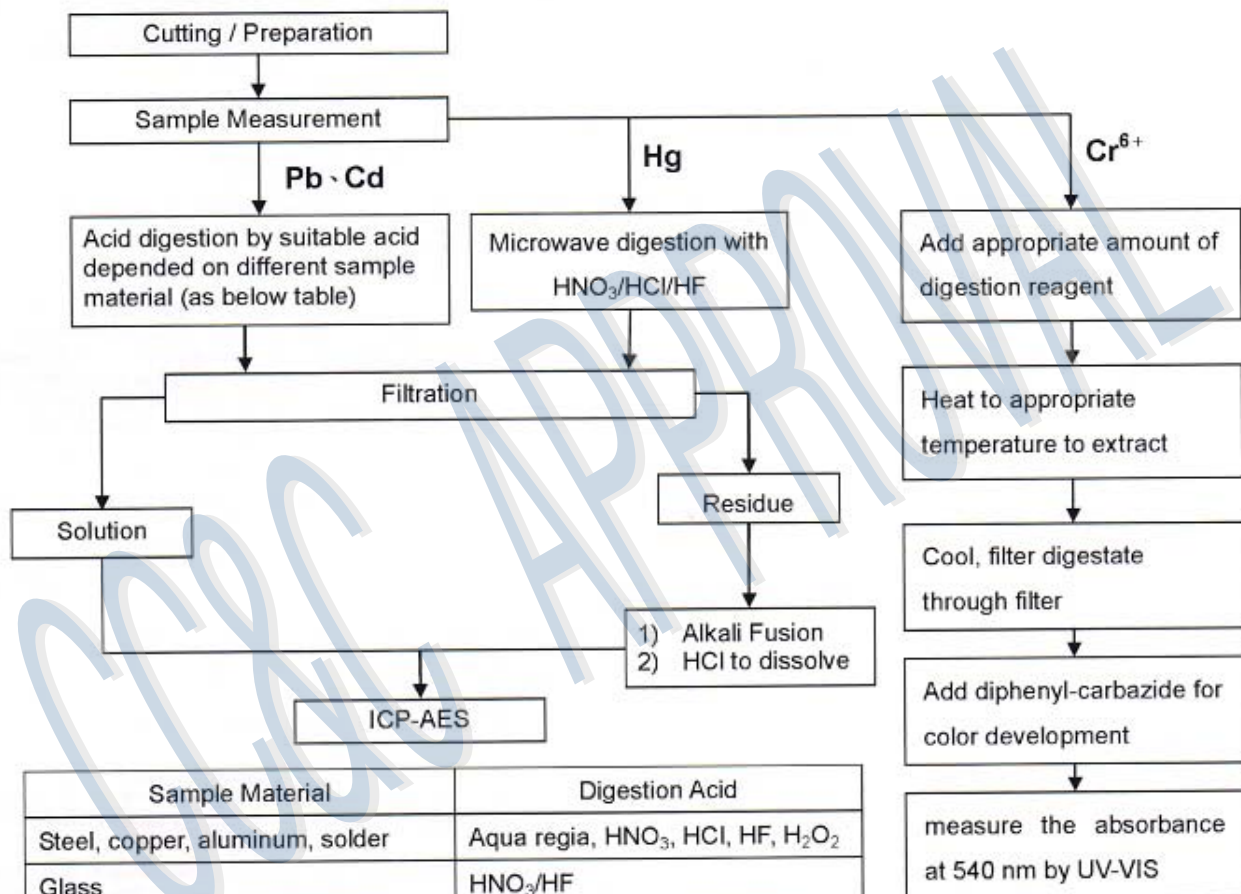
Unless otherwise stated the results shown in this test report refer only to the sample(s) tested. This test report cannot be reproduced, except in full, without prior written permission of the Company. 除非另有說明，此報告結果僅對測試之樣品負責。本報告未經本公司書面許可，不可部份複製。

This Test Report is issued by the Company under its General Conditions of Service printed overleaf or available on request and accessible at [http://www.sgs.com/terms\\_and\\_conditions.htm](http://www.sgs.com/terms_and_conditions.htm). Attention is drawn to the limitation of liability, indemnification and jurisdiction issues defined therein. Any holder of this Test Report is advised that information contained hereon reflects the Company's findings at the time of its intervention only and within the limits of Client's instructions, if any. The Company's sole responsibility is to its Client and this document does not exonerate parties to a transaction from exercising all their rights and obligations under the transaction documents. Any unauthorized alteration, forgery or falsification of the content or appearance of this document is unlawful and offenders may be prosecuted to the fullest extent of the law.

HUN PAI ENTERPRISE CO., LTD.  
1F., NO. 17, WUCHUAN 2ND RD., WUKU HSIANG, TAIPEI COUNTY 248,  
TAIWAN (R. O. C.)



- 1) These samples were dissolved totally by pre-conditioning method according to below flow chart.  
(Cr<sup>6+</sup> test method excluded)
- 2) Name of the person who made measurement: Climbgreat Yang
- 3) Name of the person in charge of measurement: Troy Chang



Sample Material	Digestion Acid
Steel, copper, aluminum, solder	Aqua regia, HNO <sub>3</sub> , HCl, HF, H <sub>2</sub> O <sub>2</sub>
Glass	HNO <sub>3</sub> /HF
Gold, platinum, palladium, ceramic	Aqua regia
Silver	HNO <sub>3</sub>
Plastic	H <sub>2</sub> SO <sub>4</sub> , H <sub>2</sub> O <sub>2</sub> , HNO <sub>3</sub> , HCl
Others	Any acid to total digestion

Unless otherwise stated the results shown in this test report refer only to the sample(s) tested. This test report cannot be reproduced, except in full, without prior written permission of the Company. 除非另有說明，此報告結果僅對測試之樣品負責。本報告未經本公司書面許可，不可部份複製。

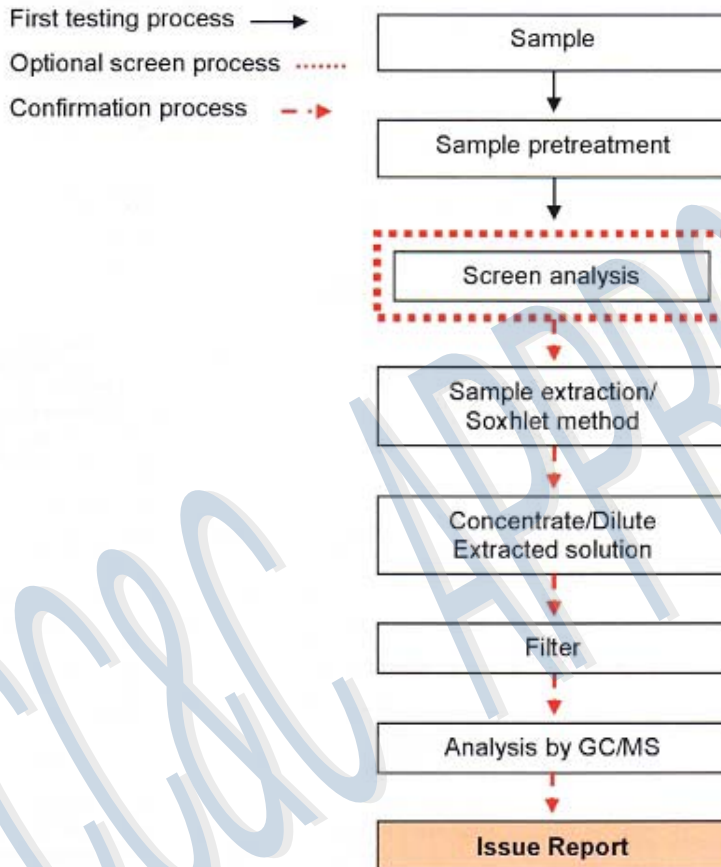
This Test Report is issued by the Company under its General Conditions of Service printed overleaf or available on request and accessible at [http://www.sgs.com/terms\\_and\\_conditions.htm](http://www.sgs.com/terms_and_conditions.htm). Attention is drawn to the limitation of liability, indemnification and jurisdiction issues defined therein. Any holder of this Test Report is advised that information contained hereon reflects the Company's findings at the time of its intervention only and within the limits of Client's instructions, if any. The Company's sole responsibility is to its Client and this document does not exonerate parties to a transaction from exercising all their rights and obligations under the transaction documents. Any unauthorized alteration, forgery or falsification of the content or appearance of this document is unlawful and offenders may be prosecuted to the fullest extent of the law.

HUN PAI ENTERPRISE CO., LTD.  
 1F., NO. 17, WUCHUAN 2ND RD., WUKU HSIANG, TAIPEI COUNTY 248,  
 TAIWAN (R. O. C.)



### PBB/PBDE analytical FLOW CHART

- 1) Name of the person who made measurement: Roman Wong
- 2) Name of the person in charge of measurement: Shinjyh Chen



Unless otherwise stated the results shown in this test report refer only to the sample(s) tested. This test report cannot be reproduced, except in full, without prior written permission of the Company. 除非另有說明，此報告結果僅對測試之樣品負責。本報告未經本公司書面許可，不可部份複製。

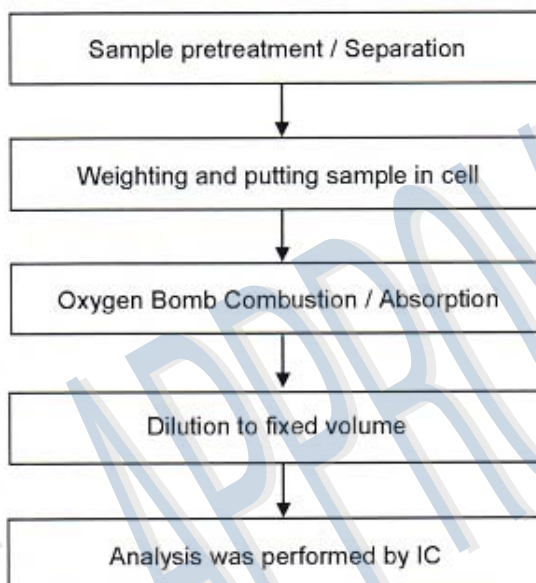
This Test Report is issued by the Company under its General Conditions of Service printed overleaf or available on request and accessible at [http://www.sgs.com/terms\\_and\\_conditions.htm](http://www.sgs.com/terms_and_conditions.htm). Attention is drawn to the limitation of liability, indemnification and jurisdiction issues defined therein. Any holder of this Test Report is advised that information contained hereon reflects the Company's findings at the time of its intervention only and within the limits of Client's instructions, if any. The Company's sole responsibility is to its Client and this document does not exonerate parties to a transaction from exercising all their rights and obligations under the transaction documents. Any unauthorized alteration, forgery or falsification of the content or appearance of this document is unlawful and offenders may be prosecuted to the fullest extent of the law.

HUN PAI ENTERPRISE CO., LTD.  
1F., NO. 17, WUCHUAN 2ND RD., WUKU HSIANG, TAIPEI COUNTY 248,  
TAIWAN (R. O. C.)



### Analytical flow chart of halogen content

- 1) Name of the person who made measurement: Alan Chen
- 2) Name of the person in charge of measurement: Troy Chang



Unless otherwise stated the results shown in this test report refer only to the sample(s) tested. This test report cannot be reproduced, except in full, without prior written permission of the Company. 除非另有說明，此報告結果僅對測試之樣品負責。本報告未經本公司書面許可，不可部份複製。

This Test Report is issued by the Company under its General Conditions of Service printed overleaf or available on request and accessible at [http://www.sgs.com/terms\\_and\\_conditions.htm](http://www.sgs.com/terms_and_conditions.htm). Attention is drawn to the limitation of liability, indemnification and jurisdiction issues defined therein. Any holder of this Test Report is advised that information contained hereon reflects the Company's findings at the time of its intervention only and within the limits of Client's instructions, if any. The Company's sole responsibility is to its Client and this document does not exonerate parties to a transaction from exercising all their rights and obligations under the transaction documents. Any unauthorized alteration, forgery or falsification of the content or appearance of this document is unlawful and offenders may be prosecuted to the fullest extent of the law.

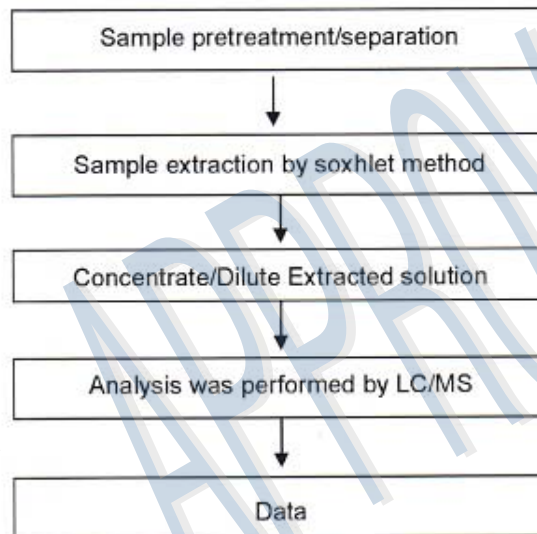
HUN PAI ENTERPRISE CO., LTD.  
1F., NO. 17, WUCHUAN 2ND RD., WUKU HSIANG, TAIPEI COUNTY 248,  
TAIWAN (R. O. C.)



### Analytical flow chart of Soxhlet extraction (LC/MS) procedure

- 1) Name of the person who made measurement: Lydia Fu
- 2) Name of the person in charge of measurement: Shinjyh Chen

■ Test Items: PFOS/PFOA · Benzotriazole



Unless otherwise stated the results shown in this test report refer only to the sample(s) tested. This test report cannot be reproduced, except in full, without prior written permission of the Company. 除非另有說明，此報告結果僅對測試之樣品負責。本報告未經本公司書面許可，不可部份複製。

This Test Report is issued by the Company under its General Conditions of Service printed overleaf or available on request and accessible at [http://www.sgs.com/terms\\_and\\_conditions.htm](http://www.sgs.com/terms_and_conditions.htm). Attention is drawn to the limitation of liability, indemnification and jurisdiction issues defined therein. Any holder of this Test Report is advised that information contained hereon reflects the Company's findings at the time of its intervention only and within the limits of Client's instructions, if any. The Company's sole responsibility is to its Client and this document does not exonerate parties to a transaction from exercising all their rights and obligations under the transaction documents. Any unauthorized alteration, forgery or falsification of the content or appearance of this document is unlawful and offenders may be prosecuted to the fullest extent of the law.

HUN PAI ENTERPRISE CO., LTD.  
1F., NO. 17, WUCHUAN 2ND RD., WUKU HSIANG, TAIPEI COUNTY 248,  
TAIWAN (R. O. C.)



\*\* End of Report \*\*

Unless otherwise stated the results shown in this test report refer only to the sample(s) tested. This test report cannot be reproduced, except in full, without prior written permission of the Company. 除非另有說明，此報告結果僅對測試之樣品負責。本報告未經本公司書面許可，不可部份複製。

This Test Report is issued by the Company under its General Conditions of Service printed overleaf or available on request and accessible at [http://www.sgs.com/terms\\_and\\_conditions.htm](http://www.sgs.com/terms_and_conditions.htm). Attention is drawn to the limitation of liability, indemnification and jurisdiction issues defined therein. Any holder of this Test Report is advised that information contained hereon reflects the Company's findings at the time of its intervention only and within the limits of Client's instructions, if any. The Company's sole responsibility is to its Client and this document does not exonerate parties to a transaction from exercising all their rights and obligations under the transaction documents. Any unauthorized alteration, forgery or falsification of the content or appearance of this document is unlawful and offenders may be prosecuted to the fullest extent of the law.

TWA 1697628



## Material Safty Data Sheet (MSDS) / Component Composition Table

MSDS部分：必须要有公司名称，产品名称，产品型号，组成物质，组成百分比，CAS No.

Pls offer completed informations as following for MSDS .

公司名称 (Company Name): 宏湃企業股份有限公司						
产品名称(Part Description): PIFA Antenna			产品型号 (料号) (Part No. of Supplier): 36G329300-00			
Component Composition Spreadsheets						
组成材料 (必须为均质材料) Composition part	供应商名称 Material Supplier Name	供应商料号Supplier Part No.	含量百分比 (加总必须是100%) Materials mass (%)	含重 Materials mass (mg)	CAS No. (美国化学文摘服务社为化学物质制订的登记号)	RoHS SGS Report (送测公司名称及产品名称, 型号必须与MSDS制造厂商名称及产品名称, 型号一致, 报告必须清晰)
Fe	統一實業	PIFA-RPA001	99.000%	297	7439-89-6	CE/2009/B6915   D:\ 材質證明・SGS/SG
Tin			0.679%	2.037	7440-31-5	
C			0.040%	0.12	7440-44-0	
Si			0.010%	0.03	7440-21-3	
Mn			0.250%	0.75	7439-96-5	
P			0.013%	0.039	7723-14-0	
S			0.008%	0.024	7704-34-9	



# 昆山晶通電子有限公司

CC&C Technologies, Inc.

## Supplier – REACH SVHC Declaration

供應商-REACH SVHC 宣告

### SVHC Declaration

Under the European regulation for REACH, 29 “Substances of Very High Concern” have been defined (SVHC). Companies are required to notify users about the presence of these substances when present in an significant amount. Therefore, the following information should be provided by your company:

### SVHC 宣告

根據歐盟已經定義的 29 種 (SVHC) “高度關注物質” REACH 法規，當存在這些物質一定數量時企業必須通知到使用者。因此，貴司應提供以下信息

1.) Check if below substances are present in any of your products.

If present in more then 0,1% by weight(1000ppm): Check box [x], provide CC&C item number(s) and specify part of product in which the substance is present.

檢查貴司產品是否存在以下物質。

如果存在重量超過 0.1% (1000ppm)：請在前面標注[x]，提供 CC&C 的料號，並明確說明物質存在於產品的部位

	Substance	In CC&C Item nr's	Parts of product
	Check box[x] when <u>above</u> limit		
<input type="checkbox"/>	1 Anthracene 蒽		
<input type="checkbox"/>	2 4,4'-Diaminodiphenylmethane 4,4'-二氨基二苯甲烷		
<input type="checkbox"/>	3 Dibutyl phthalate 邻苯二甲酸二丁基酯		
<input type="checkbox"/>	4 Cobalt dichloride 二氯化钴		
<input type="checkbox"/>	5 Diarsenic pentaoxide 五氧化二砷		
<input type="checkbox"/>	6 Diarsenic trioxide 三氧化二砷		
<input type="checkbox"/>	7 Sodium dichromate, dihydrate 重铬酸钠二水合物		
<input type="checkbox"/>	8 5-tert-butyl-2,4,6-trinitro-m-xylene (musk xylene)2,4,6-三硝基-5-叔 丁基间二甲苯		
<input type="checkbox"/>	9 Bis (2-ethyl(hexyl)phthalate) 邻苯二甲酸双(2-乙基己酯)		
<input type="checkbox"/>	10 Hexabromocyclododecane (HBCDD)六溴环十二烷		
<input type="checkbox"/>	11 Alkanes, C10-13, chloro (Short Chain Chlorinated Paraffins) 短链氯化石蜡		
<input type="checkbox"/>	12 Bis(tributyltin)oxide 氧化双三丁基锡		
<input type="checkbox"/>	13 Lead hydrogen arsenate 砷酸氢铅		
<input type="checkbox"/>	14 Triethyl arsenate 三乙基砷酸酯		
<input type="checkbox"/>	15 Benzyl butyl phthalate 邻苯二甲酸丁苄酯		
<input type="checkbox"/>	16 Anthracene oil (蒽油)		
<input type="checkbox"/>	17 Anthracene oil,anthracene paste,distn .Lights (蒽油，蒽糊， 轻油)		
<input type="checkbox"/>	18 Anthracene oil, anthracene paste, anthracene fraction (蒽 油，蒽糊，蒽馏分)		
<input type="checkbox"/>	19 Anthracene oil, anthracene-low (蒽油，含蒽量少)		
<input type="checkbox"/>	20 Anthracene oil, anthracene paste (蒽油，蒽糊)		
<input type="checkbox"/>	21 Diisobutyl phthalate (邻苯二甲酸 二异丁酯)		
<input type="checkbox"/>	22 2,4-Dinitrotoluene (2,4 -二硝基甲 苯)		
<input type="checkbox"/>	23 residues (coal tar), pitch distn (残留物(煤焦油)，沥青蒸馏)		
<input type="checkbox"/>	24 Distillates (coal tar), heavy oils (馏分油(煤焦油)，重油)		
<input type="checkbox"/>	25 Distillates (coal tar), heavy oils,		

- 26 Distillates (coal tar), pitch, pyrene fraction (馏分油(煤焦油), 重油, 蒽馏分)
- 27 coal tar pitch, high temperature (煤焦沥青, 高温)
- 28 tris(2-chloroethyl)phosphate (磷酸三(2-氯乙基)酯)
- 29 Arsenic and its salts (砷及其化合物)
- 30 Acrylamide (丙烯酰胺)

2.) Supplier declares that users can not get into contact with above substances by direct touch of above substances. 供應商聲明使用者不能直接接觸和進入接觸以上物質

3.) Supplier declares that users can not get into contact with above substances by inhaling of fumes of above substances. 供應商聲明使用者不能吸入和進入接觸以上物質產生的煙霧

4.) Supplier declares the presence of any SVHC substances will be reduced to below 0,1% for products shipped from date: 供應商聲明自 xx 年 xx 月 xx 日起存在於產品中的 SVHC 物質將被削減至 0.1% 以下

Liability 責任

In case of incorrect information, the above mentioned supplier is fully liable for all (financial) consequences involved. 如以上信息不實, 供應商將全部承擔因此而產生後果。

**Hereby the following company declares that the provided information is correct and they agree with the conditions as mentioned on this page.**

特此下列公司聲明, 所提供信息正確無誤, 同意此頁裏面的上述條件。

Company 公司: 宏湃企業股份有限公司

Contact Person 聯系人: 蘇奕成

Date 日期: 2010.09.03

Signature 簽名:

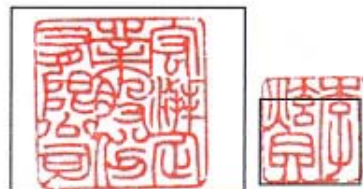


## 不使用證明書 (零部件事產用)

列印日期：2010.09.16

公司名稱：宏湃企業股份有限公司  
部門簽名：業務部協理 鍾彥斌  
交易單位代碼：  
負責人姓名：李炫貝  
e-mail：holger@hunpai.com.tw

印



1. 茲證明向貴公司交貨的零部件事、輔助材料及裝置部件事的使用材料、包裝材料以及生產工程中的添加劑等，沒有晶訊科技公司規定的禁止使用物質 (Level 1)；如本公司所生產之產品中，含有晶訊科技股份有限公司規定禁用之物質，本公司將負產品回收及賠償之責任。
2. 交貨的零部件事、輔助材料及裝置部件事，請參看附件。

填寫內容：產品名稱、生產工廠、(交貨或變更)開始 (交貨日、Serial No. or Lot. No.)

RTK WiFi PIFA-0001 (PIFA-RPA001) 宏湃企業股份有限公司

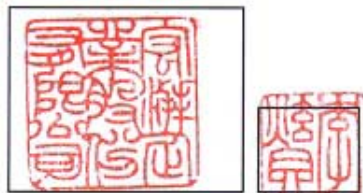
本文件保存期限：三年

## 不使用證明書 (零部批准部)

列印日期: 2010.09.16

- 公司名稱: 宏湃企業股份有限公司
- 部門簽名: 業務部協理 鍾彥斌
- 交易單位代碼:
- 負責人姓名: 李炫貝
- e-mail: holger@hunpai.com.tw

印



茲證明關於向貴公司交貨的零部、輔助材料及裝置部的使用材料、包裝材料以及生產工程中的添加劑等, 沒有晶訊科技股份有限公司規定的管理標準之禁用物質 (Level 1); 如本公司所生產之產品中, 含有晶訊科技股份有限公司規定禁用之物質, 本公司將負產品回收及賠償之責任。

另外, 關於零部、輔助材料及裝置部的使用材料、包裝材料以及生產工程中的添加劑等的構成成分報告如下。

### (1) 零部、輔助材料/裝置部

零部、輔助材料名稱: RTK WiFi PIFA-0001

零部編號: PIFA-RPA001

SB (規格書、圖紙) No.: SD-PIFA-A01

生產工廠: 宏湃企業股份有限公司

〈使用材料〉

部位: 本體

原物料廠商名稱 ( 統一實業 ) 材料名稱/Tape 名稱 ( SPTE )

部位:

原物料廠商名稱 ( ) 材料名稱/Tape 名稱 ( )

〈使用添加劑〉

部位:

原物料廠商名稱 ( ) 材料名稱/Tape 名稱 ( )

部位:

原物料廠商名稱 ( ) 材料名稱/Tape 名稱 ( )

(2) 可以測定物質的 ICP 資料, 請參見附件。

(3) 不能測定物質的成分表及 MSDS, 請參見附件。

- 填寫不下時請另外用紙填寫。

備考:

2010年09月16日

本文件保存期限: 三年