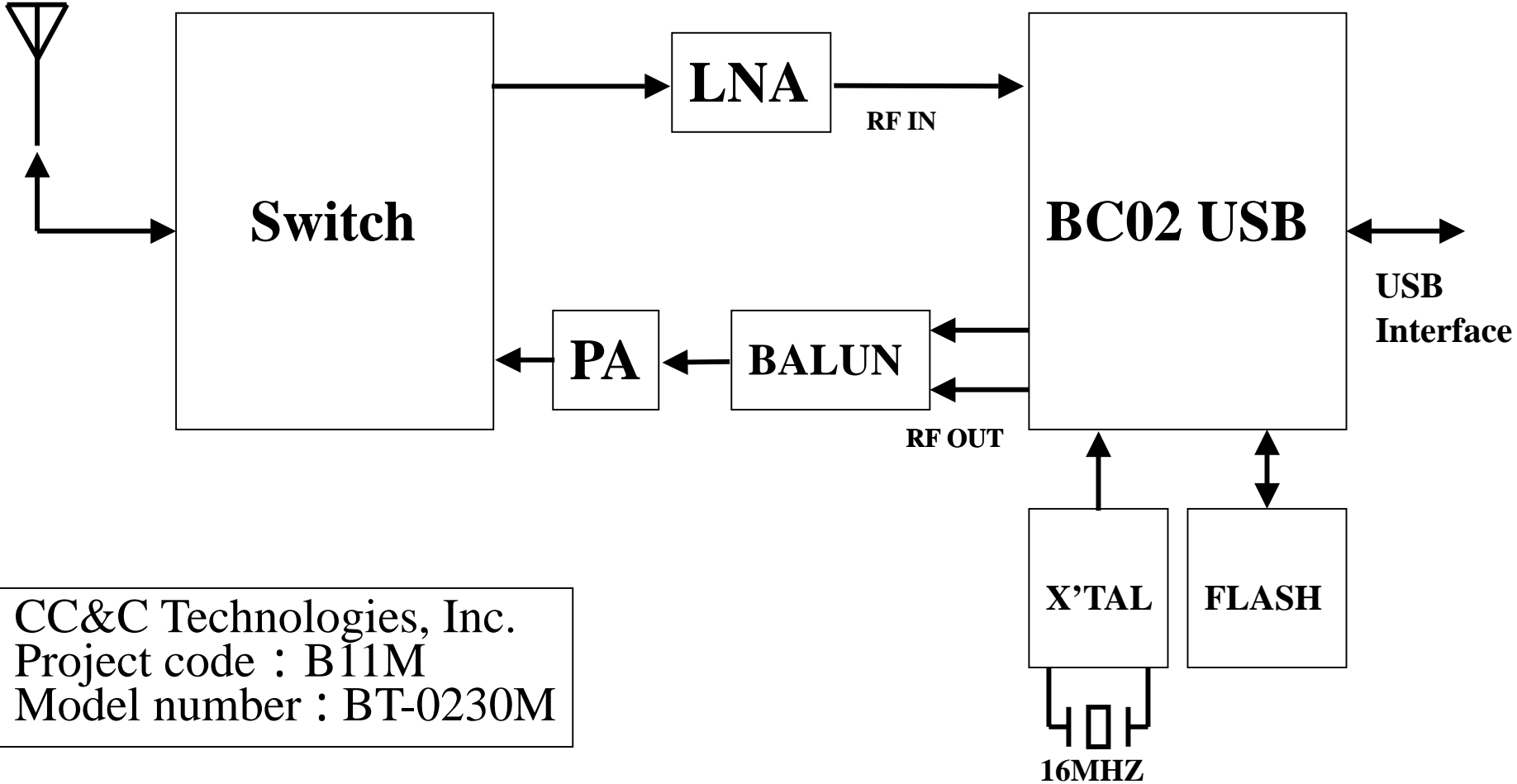


BT-0230M Function Block



CC&C Technologies, Inc.
Project code : B11M
Model number : BT-0230M