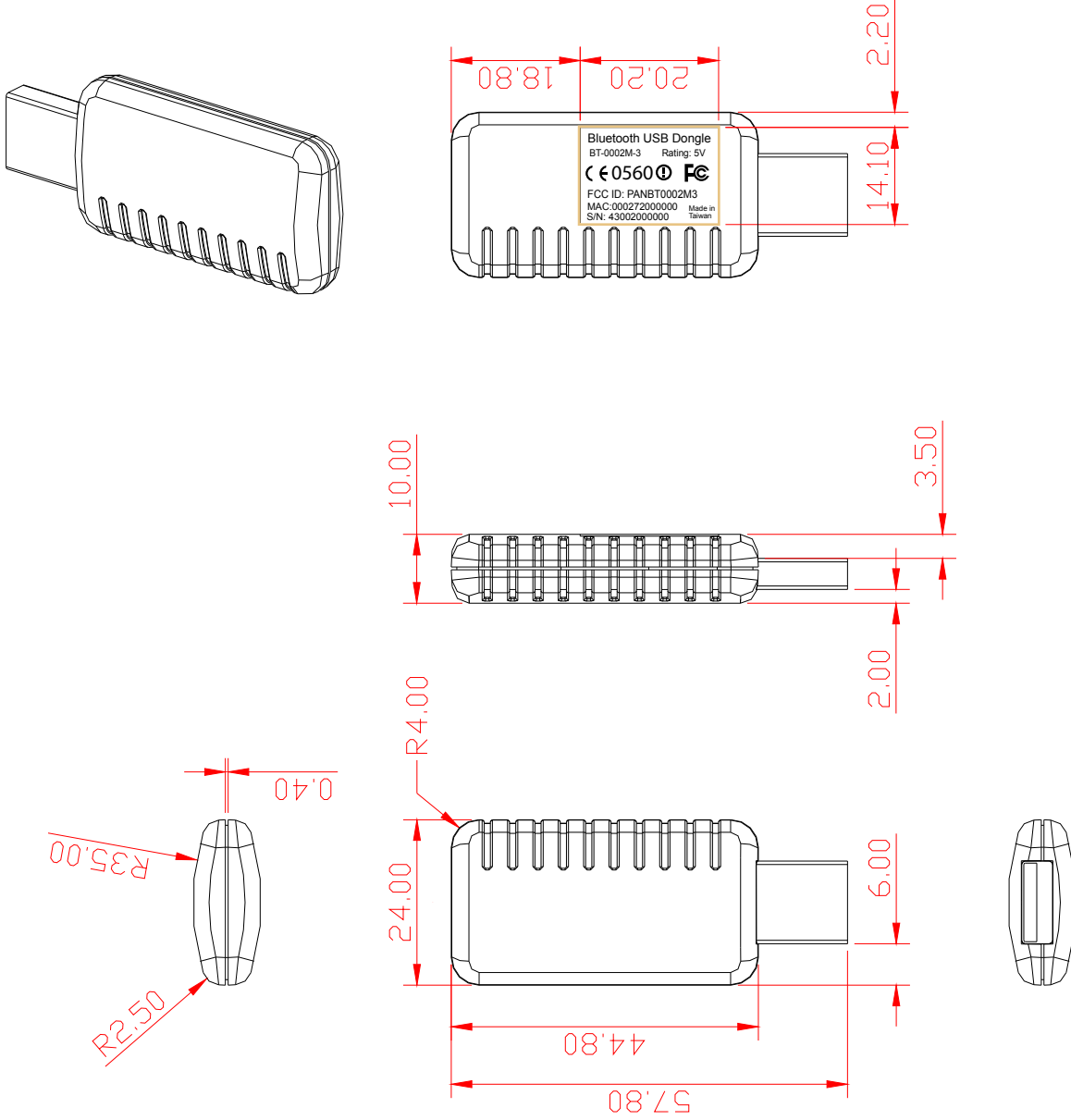


Label Sample - Bluetooth USB Dongle
Size: 14*20mm



ITEM	DESCRIPTION	DATE	CO&C TECHNOLOGIES, INC.					SCALE	DESCRIPTION		MODEL NO:	APPROVAL
			DIM.	0~6	6~30	30~80	80~180	180~315	315~800	1:1	BT-0002M	DESIGNED
			TOL	0.05	0.08	0.12	0.20	0.25	0.30	DWG NO:		
			UNIT	MM				PCS/SET	MATERIAL	FINISH	PARTS NO.	DRAWING
									BT-0002M-ASM		BRIAN 08-02'02	