

**BA-300M**  
**BT5 Aptx Audio Mixer**  
**HIGHGAZE**

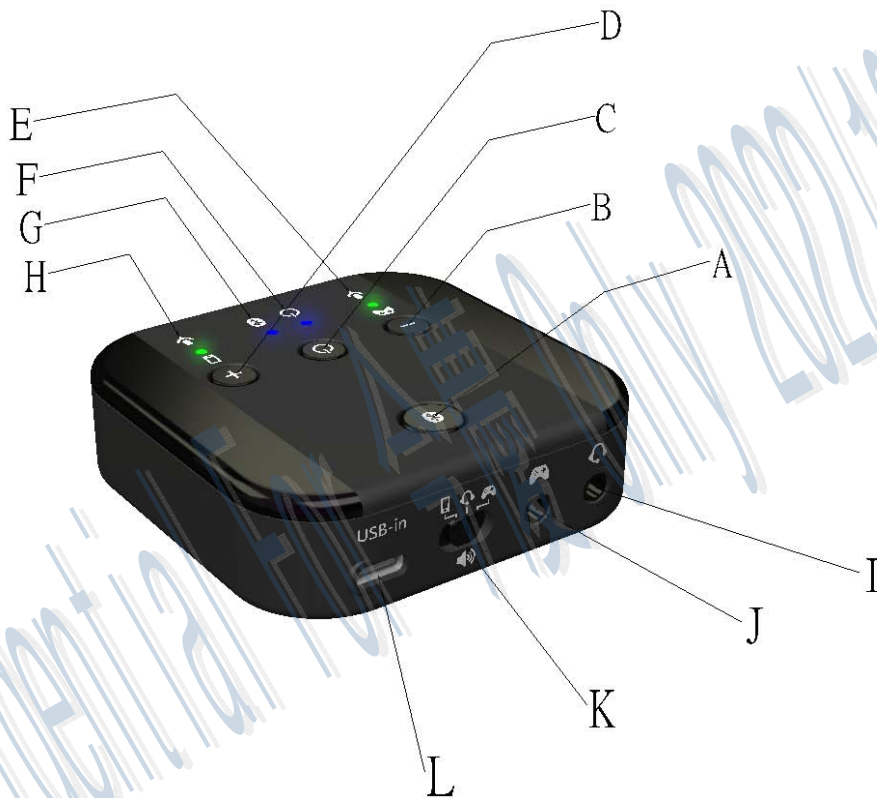
**Quick Start**

1. Power on and Enable Bluetooth of BT5 Audio Mixer
2. Connect 3.5mm Audio Cable with Game Set
3. Connect 3.5mm Headphone Cable with Headphone
4. Paring with Mobile Phone

## Contents

- Bluetooth 5 Audio Mixer
- USB 2.0 (Type A↔Type C) Cable
- 3.5mm Headphone Cable

## Overview



Button	Description	Action - <i>Click</i>	Action - <i>Hold and Release</i>
A	Pairing Peer Device	Start Pairing Mode	N/A
B	Game Set Mic. / Mixer Vol. Multi Function Button	Enable/Disable Game Set Mic.	Mixer Vol. Down
C	System Ready / System Off / Multi Function Button	<ul style="list-style-type: none"> <li>● Enable Bluetooth and System Ready</li> <li>● Disable Bluetooth and</li> </ul>	N/A

		System Off	
D	Bluetooth Mic. / Mixer Vol. Multi Function Button	Enable/Disable Bluetooth Mic.	Mixer Vol. Up
C	Restore Defaults	1. Disable Game Set and Bluetooth Mic	2. Restore Defaults (Hold 8 sec and Release)

※ Button Behavior - **Click**: Single Press then Release

**Hold and Release**: Press a couple of seconds then Release

LED	Description
E	Game Set Mic. (On/Off) Status
F	Enable/Disable Bluetooth and System On/Off Status
G	Bluetooth Status <ul style="list-style-type: none"> <li>■ Discoverable: Flashing Steady</li> <li>■ Connected Phone: Flashing 3 times at a time</li> <li>■ Disconnected Phone: Flashing 2 times at a time</li> </ul>
H	Bluetooth Mic. (On/Off) Status
Intfs	Description
I	3.5mm Headphone Jack
J	3.5mm Game Set Audio Jack
K	Set Phone (BT) / Phone(BT) + Game /Game Volume Mode Switch
L	USB ( Type C ) DC-IN Power Supply

Mixer Default Power On/Off State, System (Bluetooth) Ready/Off State

Power On – Only Type A ⇔ Type C Cable + Power Adapter

Audio/Mic (I)	Audio/Mic (J)	LED (E)	LED (F)	LED (G)	LED (H)
On/On	On/On	Off	Off	Off	Off

Turn On Bluetooth and System Ready State - Type A ⇔ Type C Cable + Power Adapter + Button (C)

Audio/Mic (I)	Audio/Mic (J)	LED (E)	LED (F)	LED (G)	LED (H)
On/On	On/On	On	On	Flashing Steady	On

Turn Off Bluetooth and System Off State - Type A ⇔ Type C Cable + Power Adapter + Button (C)

Audio/Mic (I)	Audio/Mic (J)	LED (E)	LED (F)	LED (G)	LED (H)
On/On	On/On	Off	Off	Off	Off

Power Off State – No Type A ⇔ Type C Cable + Power Adapter

Audio/Mic (I)	Audio/Mic (J)	LED (E)	LED (F)	LED (G)	LED (H)
Off	Off	Off	Off	Off	Off

## Setup and Default Status Table

Scenarios	Button / Switch	Button Action	LED	Description
Power On	N/A	N/A	(E),(F),(G),(H) Off	Power On via Type C cable
Turn On Bluetooth and System Ready	(C)	Click	(G) Flashing Steady	Enable Bluetooth and Enter Paring Mode (Pairing List is empty)
Connected Phone	N/A	N/A	(G) Flashing 3 times at a time	Establish Bluetooth Connection Successfully
Disconnected Phone	N/A	N/A	(G) Flashing 2 times at a time	Failed to Establish Bluetooth Connection
Incoming Call or Music On	N/A	N/A	(G) On	Incoming call or Music On
Bluetooth Re-Enter Paring Mode	(A)	Press 3 seconds and release	(G) Flashing steady	Enter Connectable and Paring Mode
Turn Off Bluetooth and system	(C)	Click	(E),(F),(G),(H) Off	Mixer's Bluetooth system is off
Restore Defaults And System Off	(C)	Click and Press over 8 seconds and release	(G) 1. On 2. Off	Mixer is restored to factory defaults. (Pairing List will be erased)
Phone Mic On/Off	(D)	Click	(H) On (H) Off	Mute Off Mute On
Game Set Mic On/Off	(B)	Click	(E) On (E) Off	Mute Off Mute On
Volume Mode	(K)	Slide Switch	(L) (C) (R)	Phone Volume Mixer Volume Game Set Volume

This device complies with Part 15 of the FCC Rules. Operation is subject to the following two conditions: (1) This device may not cause harmful interference, and (2) This device must accept any interference received, including interference that may cause undesired operation

This equipment has been tested and found to comply with the limits for a Class B digital device, pursuant to part 15 of the FCC Rules. These limits are designed to provide reasonable protection against harmful interference in a residential installation. This equipment generates, uses and can radiate radio frequency energy and, if not installed and used in accordance with the instructions, may cause harmful interference to radio communications. However, there is no guarantee that interference will not occur in a particular installation. If this equipment does cause harmful interference to radio or television reception, which can be determined by turning the equipment off and on, the user is encouraged to try to correct the interference by one or more of the following measures:

- Reorient or relocate the receiving antenna.
- Increase the separation between the equipment and receiver.
- Connect the equipment into an outlet on a circuit different from that to which the receiver is connected.
- Consult the dealer or an experienced radio/TV technician for help.

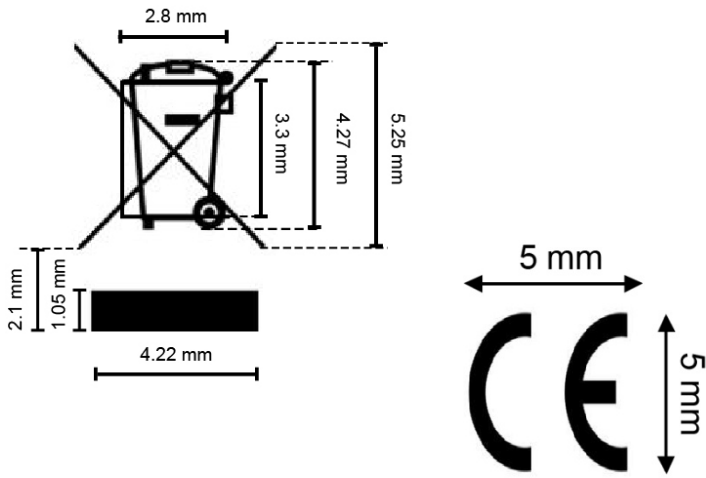
To assure continued compliance, any changes or modifications not expressly approved by the party responsible for compliance could void the user's authority to operate this equipment. (Example- use only shielded interface cables when connecting to computer or peripheral devices).

#### *FCC Radiation Exposure Statement*

This equipment complies with FCC RF radiation exposure limits set forth for an uncontrolled environment. This equipment should be installed and operated with a minimum distance of 20 centimeters between the radiator and your body.

This transmitter must not be co-located or operating in conjunction with any other antenna or transmitter.

The antennas used for this transmitter must be installed to provide a separation distance of at least 20 cm from all persons and must not be co-located or operating in conjunction with any other antenna or transmitter.



#### NCC 警語

「取得審驗證明之低功率射頻器材，非經核准，公司、商號或使用者均不得擅自變更頻率、加大功率或變更原設計之特性及功能。」

低功率射頻器材之使用不得影響飛航安全及干擾合法通信；經發現有干擾現象時，應立即停用，並改善至無干擾時方得繼續使用。

前述合法通信，指依電信管理法規定作業之無線電通信。低功率射頻器材須忍受合法通信或工業、科學及醫療用電波輻射性電機設備之干擾。」